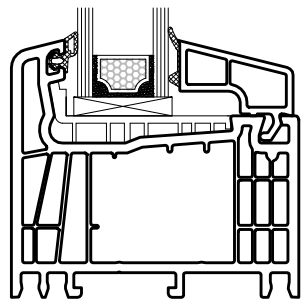
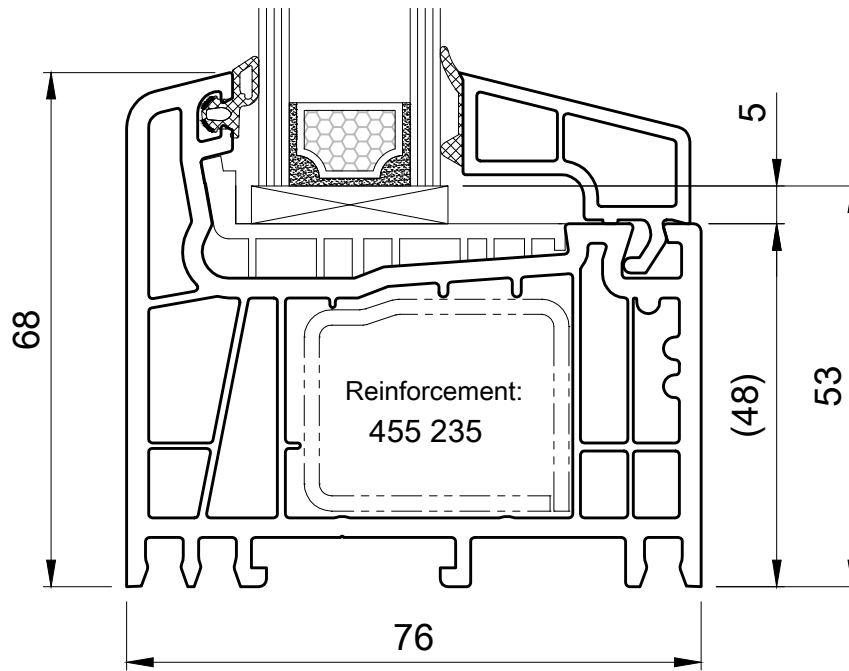
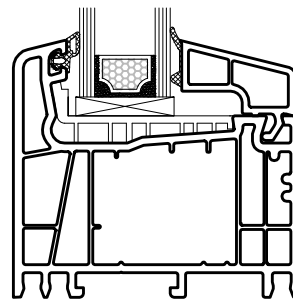


Designation	Page ST 04 0...
- Frame	01.1 - 01.52
↳ Fixed glazing	01.1 - 01.4
↳ 250 220, 250 227, 250 224 / casement	01.5 - 01.12
↳ 250 230 / casement	01.15 - 01.22
↳ 250 240 / casement	01.24 - 01.31
↳ 250 100 / casement	01.32 - 01.38
↳ 250 154 / casement	01.39 - 01.45
↳ 250 148 / casement	01.46 - 01.52
- Muntins / post	02.1 - 03.16
↳ Fixed glazing - post / muntin	02.1 - 02.5
↳ 252 120 - casement	02.6 - 02.12
↳ 252 130 - casement	02.13 - 02.19
↳ Casement - 252 120 - casement	03.1 - 03.7
↳ Casement - 252 130 - casement	03.8 - 03.14
↳ Casement - 212 220 - casement	03.15 - 03.16
- Overlap	04.1 - 04.16
↳ 256 020	04.1 - 04.8
↳ 256 030	04.9 - 04.16
- Step protection	05.1 - 05.2
- Transport protection / run-up wedge	06.1

Designation	Page ST 04 0...
- Extension profiles / French window profiles	07.1 - 07.4
↳ Extension profiles	07.1 - 07.2
↳ French window profiles	07.3 - 07.4
- Sill profiles	08.1 - 08.11
↳ Sill profiles	08.1 - 08.6
↳ Stone bank profiles	08.7 - 08.10
↳ Window sills	08.11
- Couplings	09.1 - 09.11
- Corner connections	10.1 - 10.3
- Pilaster strip profiles (post reinforcement)	11.1 - 11.4
- Reveal panelling	12.1 - 12.2
- Panelling profiles	13.1 - 13.6
- Roller shutter accessories	14.1 - 14.11
- Area of application cover profiles	15.1



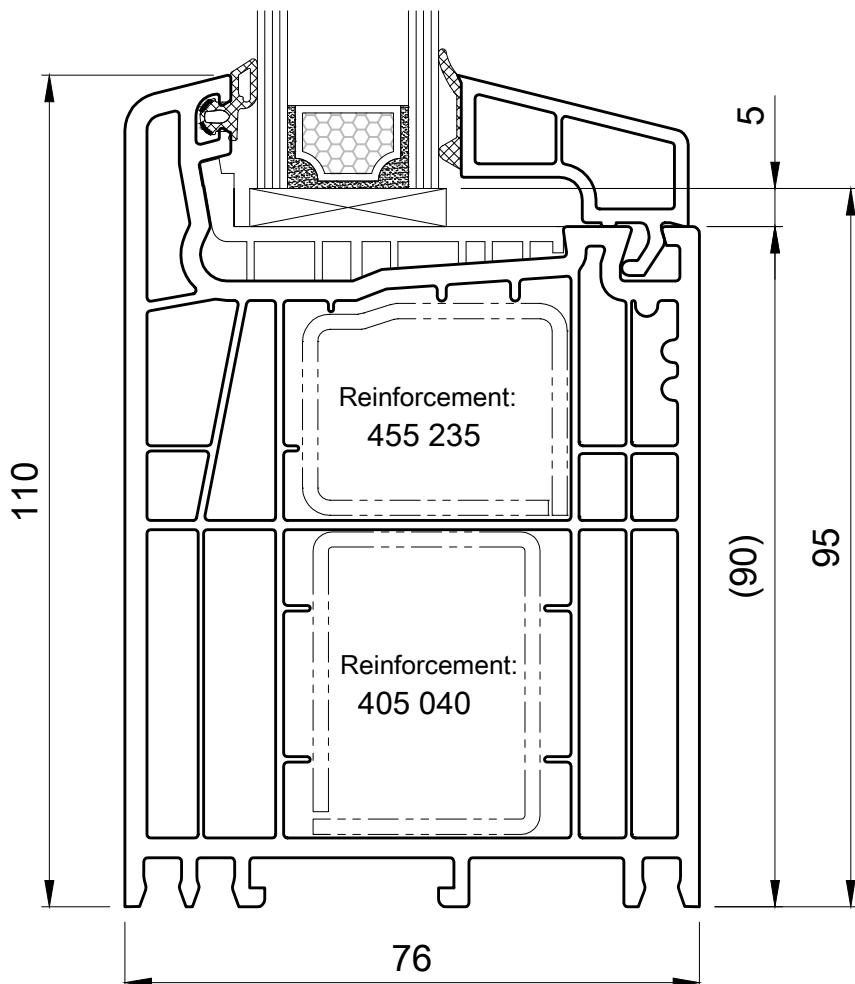
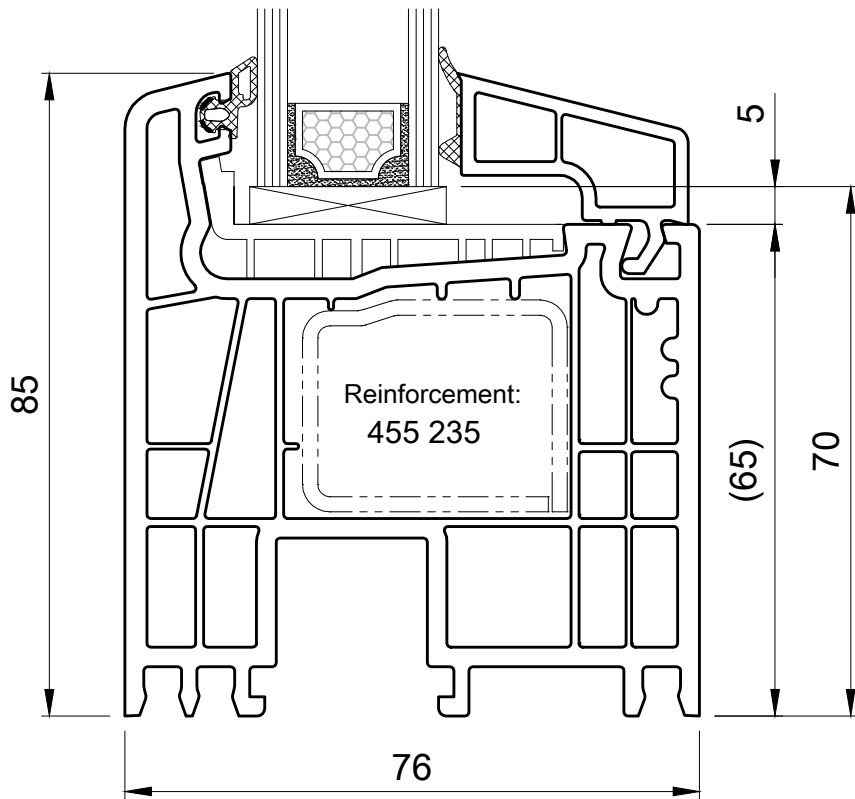
250 227 (7- chamber)



250 224 (EuroB)

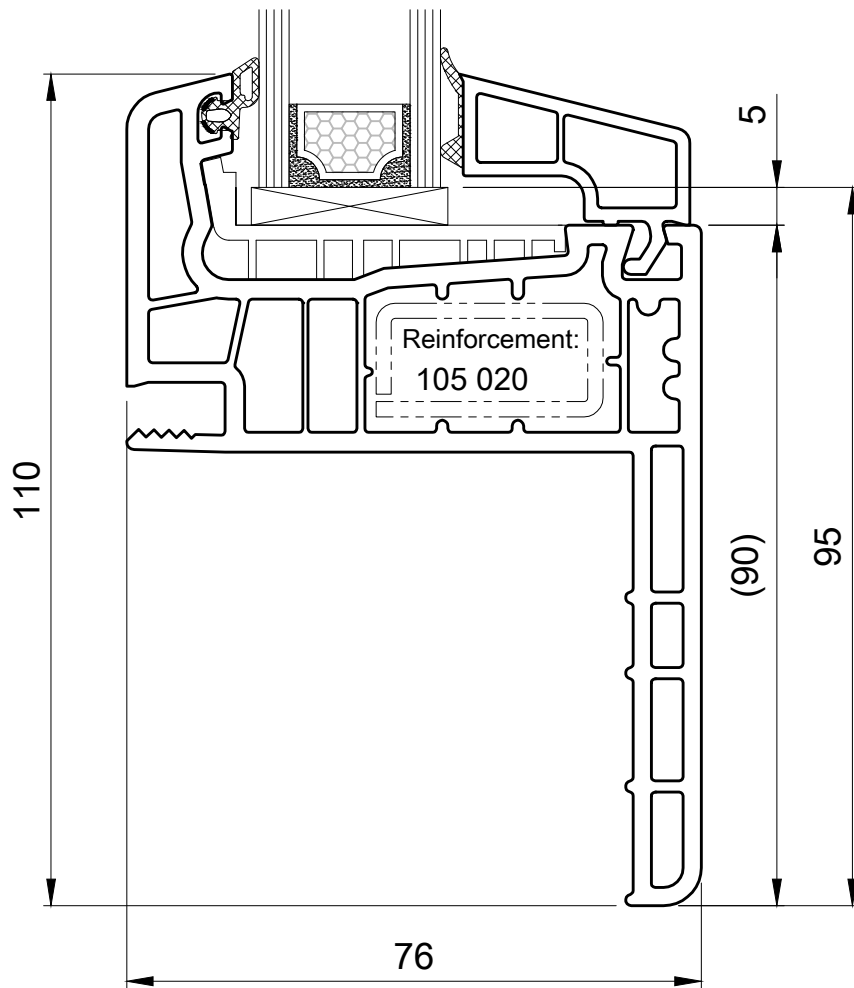
Frame
250 230, 250 240

ST 04
01.2



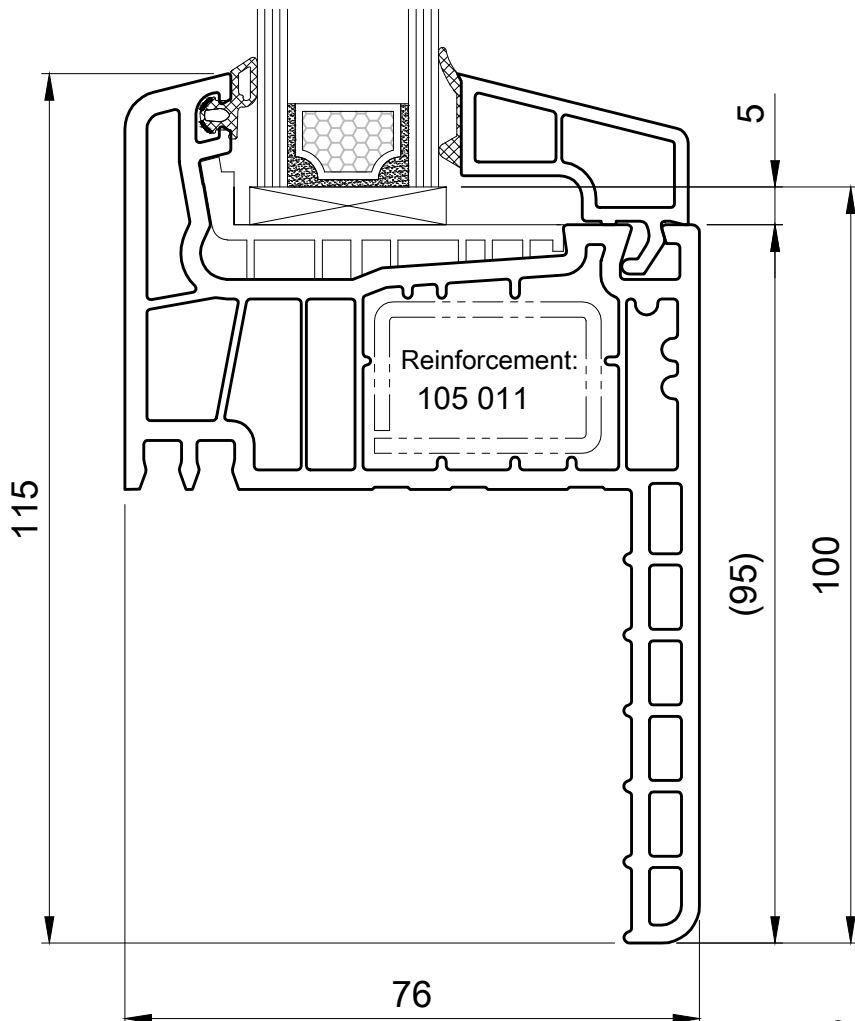
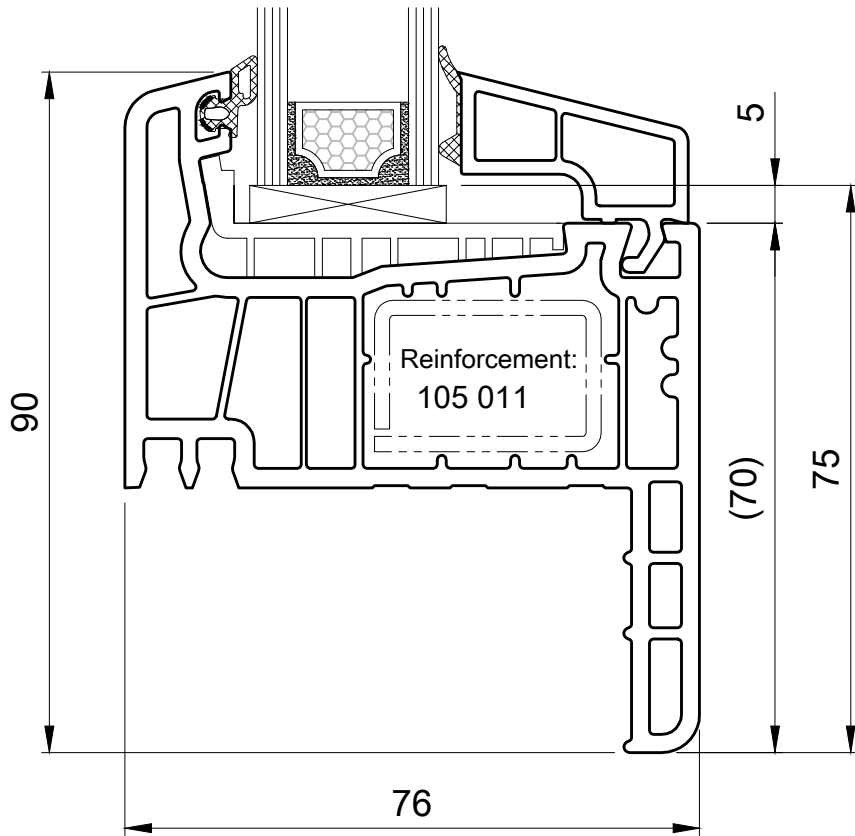
Frame
250 100

ST 04
01.3



Frame
250 154, 250 148

ST 04
01.4

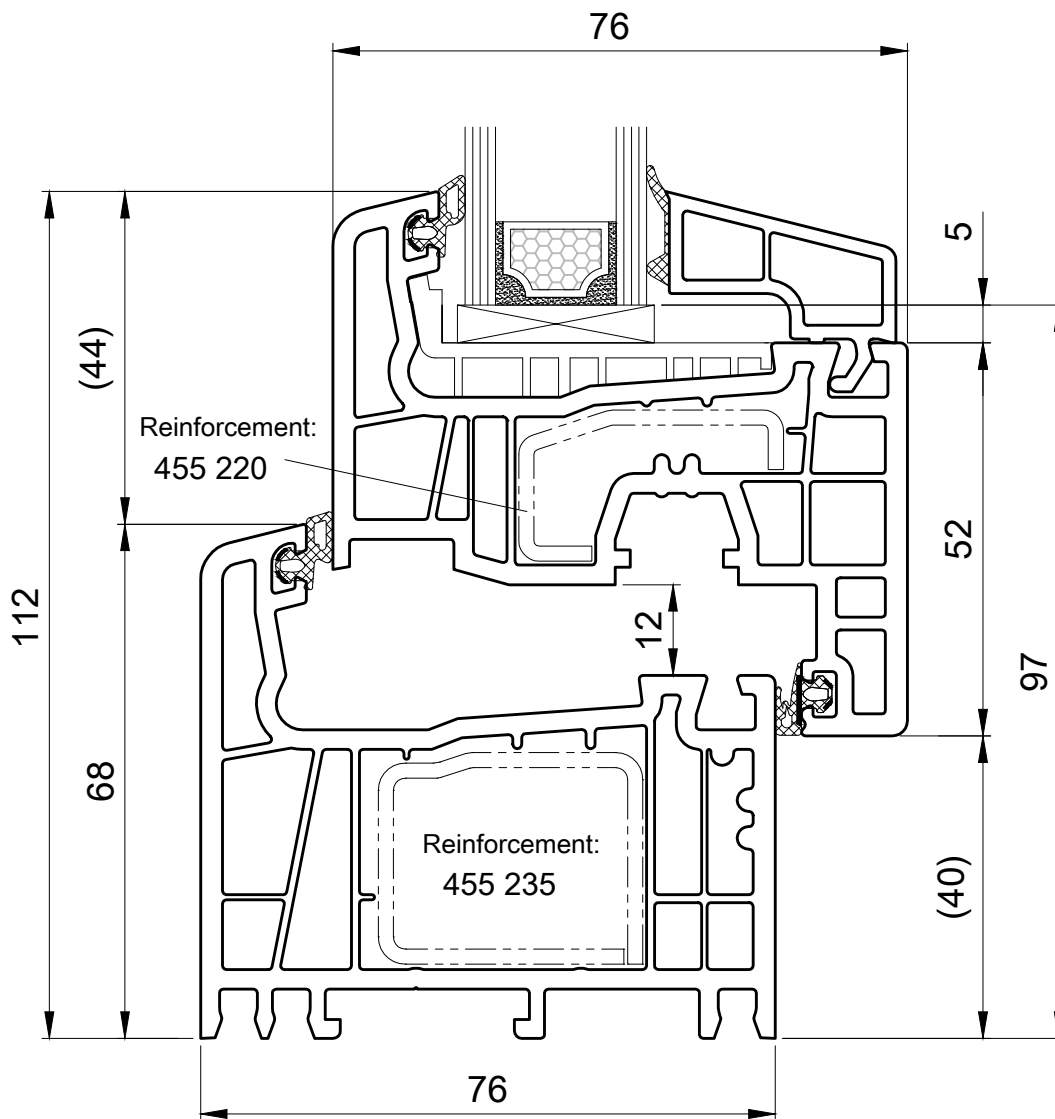


Frame / Casement

Frame
250 220

Casement
251 010

ST 04
01.5

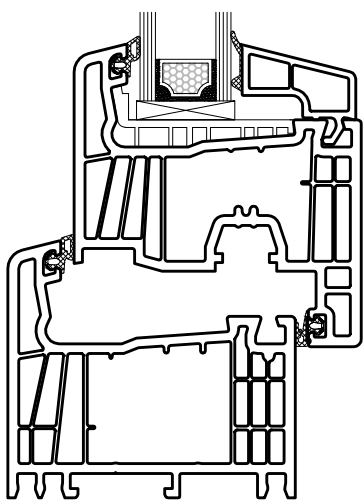
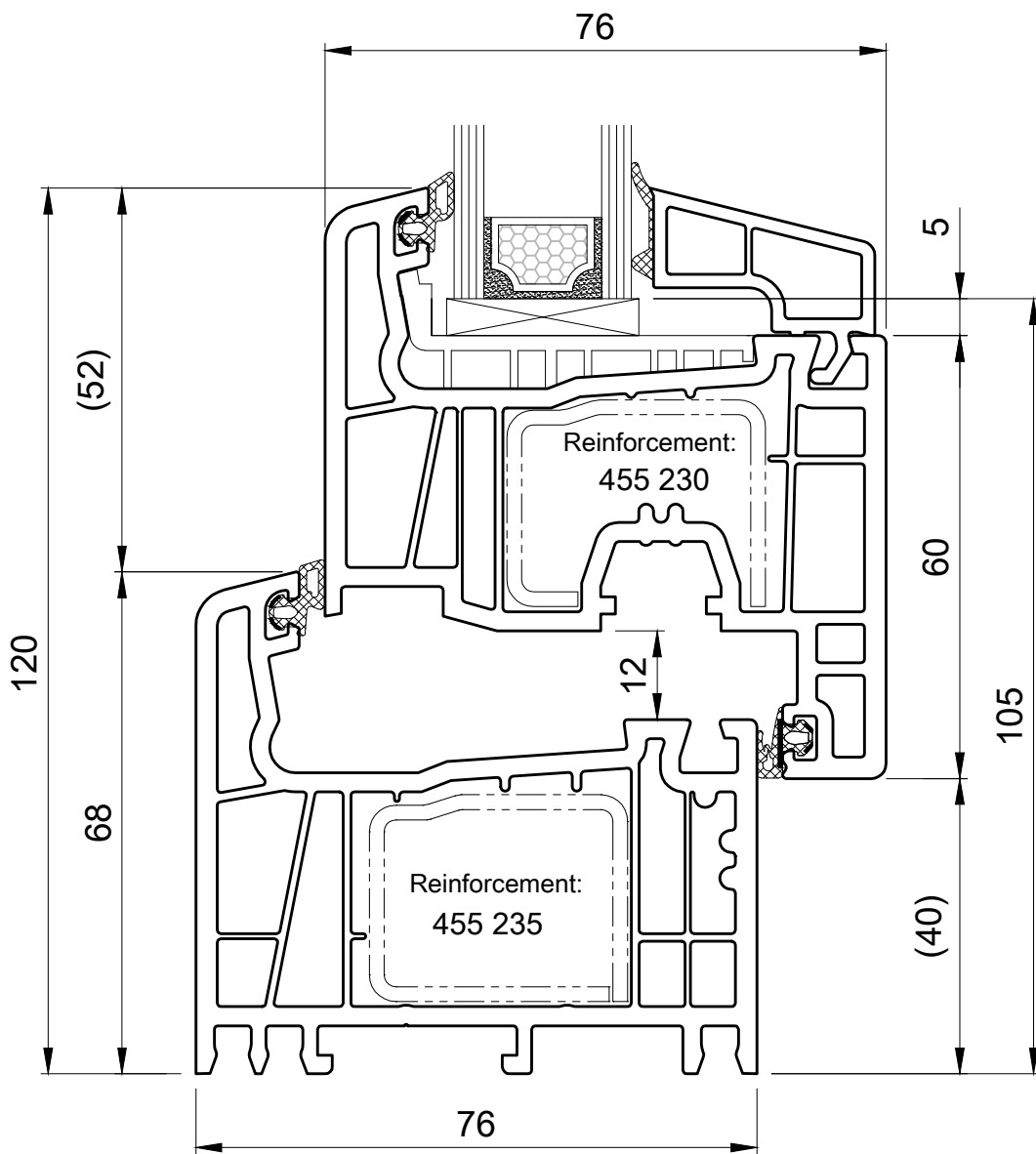


Frame / Casement

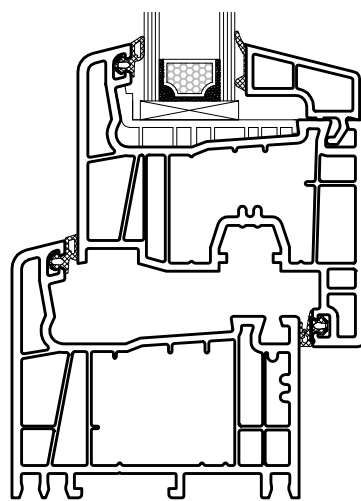
Frame
250 220, 250 227, 250 224

Casement
251 020, 251 027, 251 024

ST 04
01.6



250 227 (7- chamber),
251 027 (7- chamber)



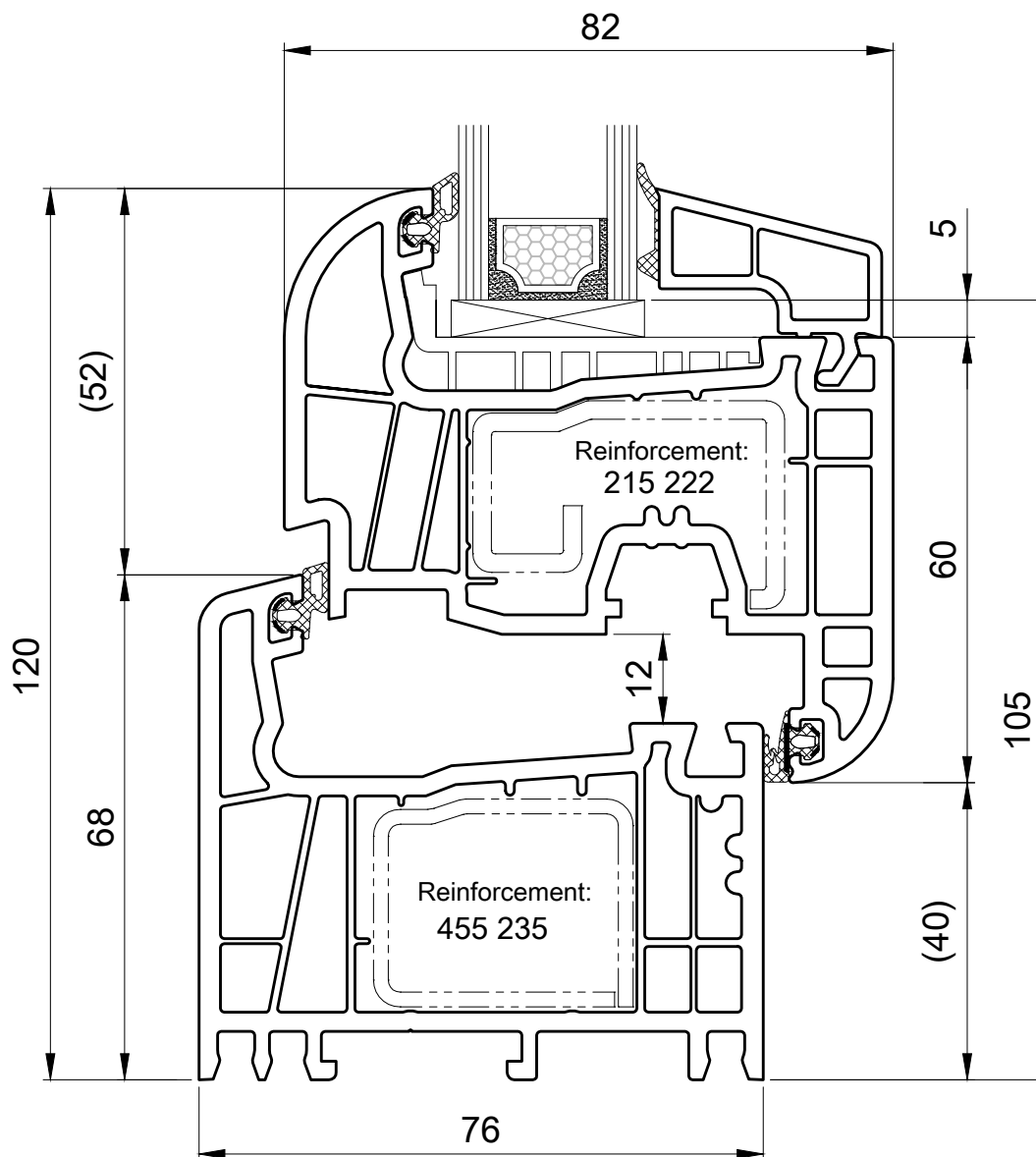
250 224 (EuroB),
251 024 (EuroB)

Frame / Casement

Frame
250 220

Casement
251 222

ST 04
01.7

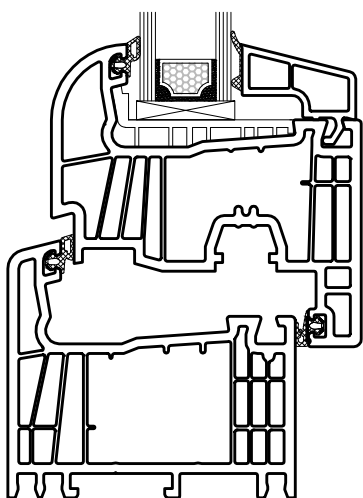
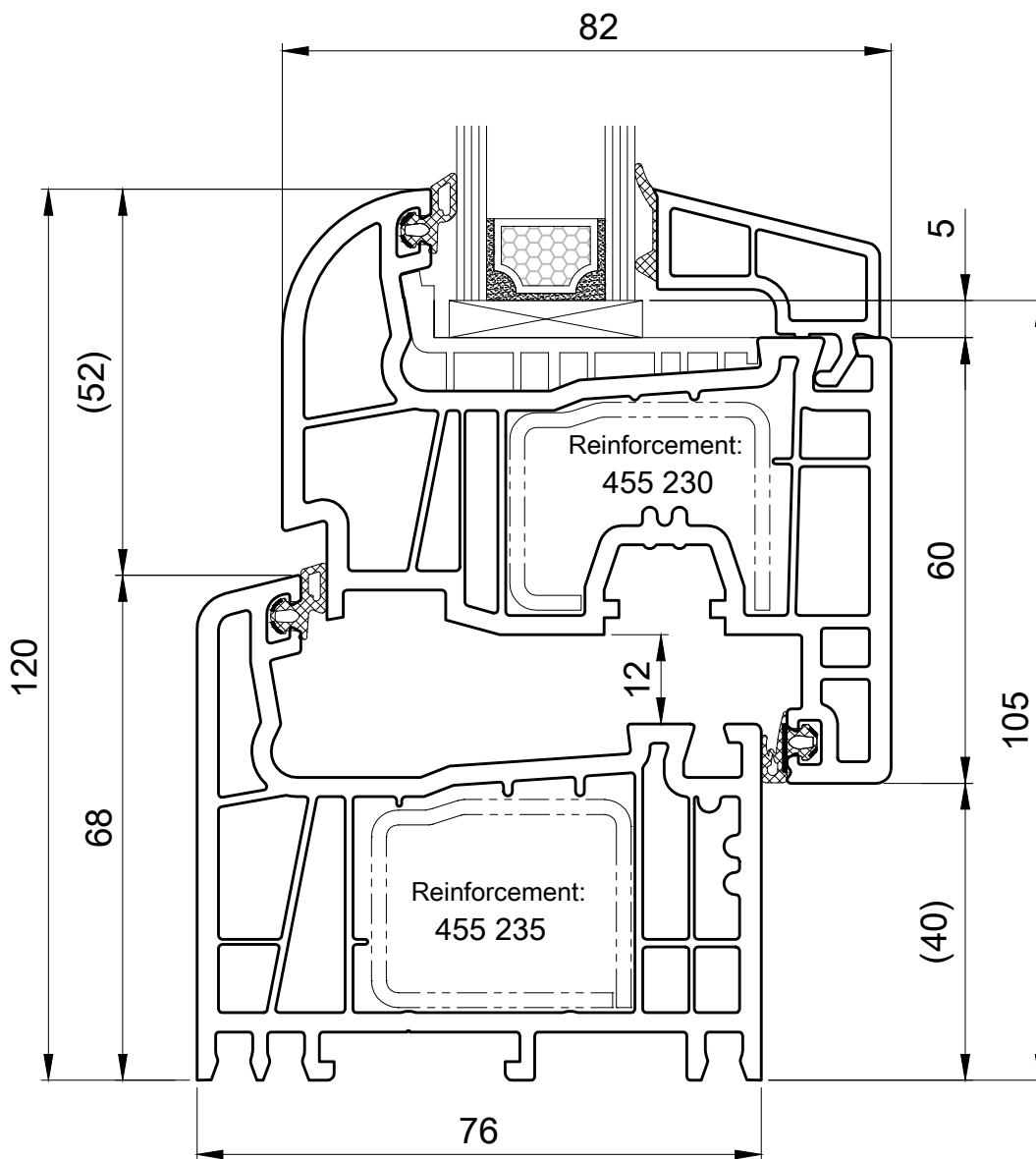


Frame / Casement

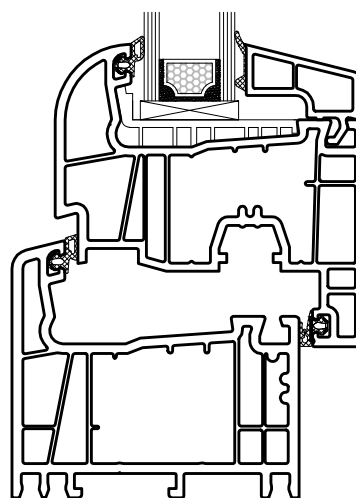
Frame
250 220, 250 227, 250 224

Casement
251 226, 251 227, 251 224

ST 04
01.8



250 227 (7- chamber),
251 227 (7- chamber)



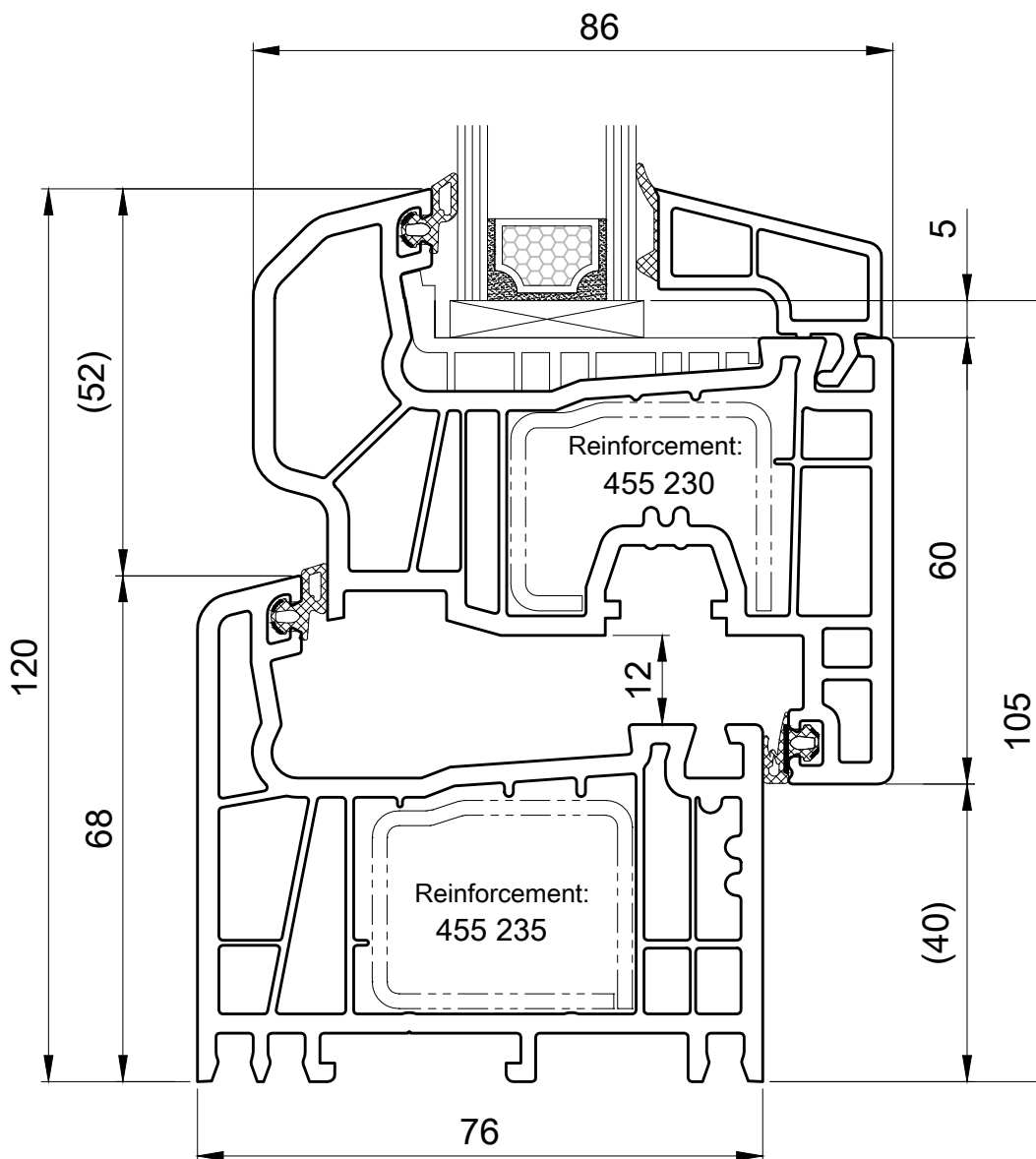
250 224 (EuroB),
251 224 (EuroB)

Frame / Casement

Frame
250 220

Casement
251 365

ST 04
01.9

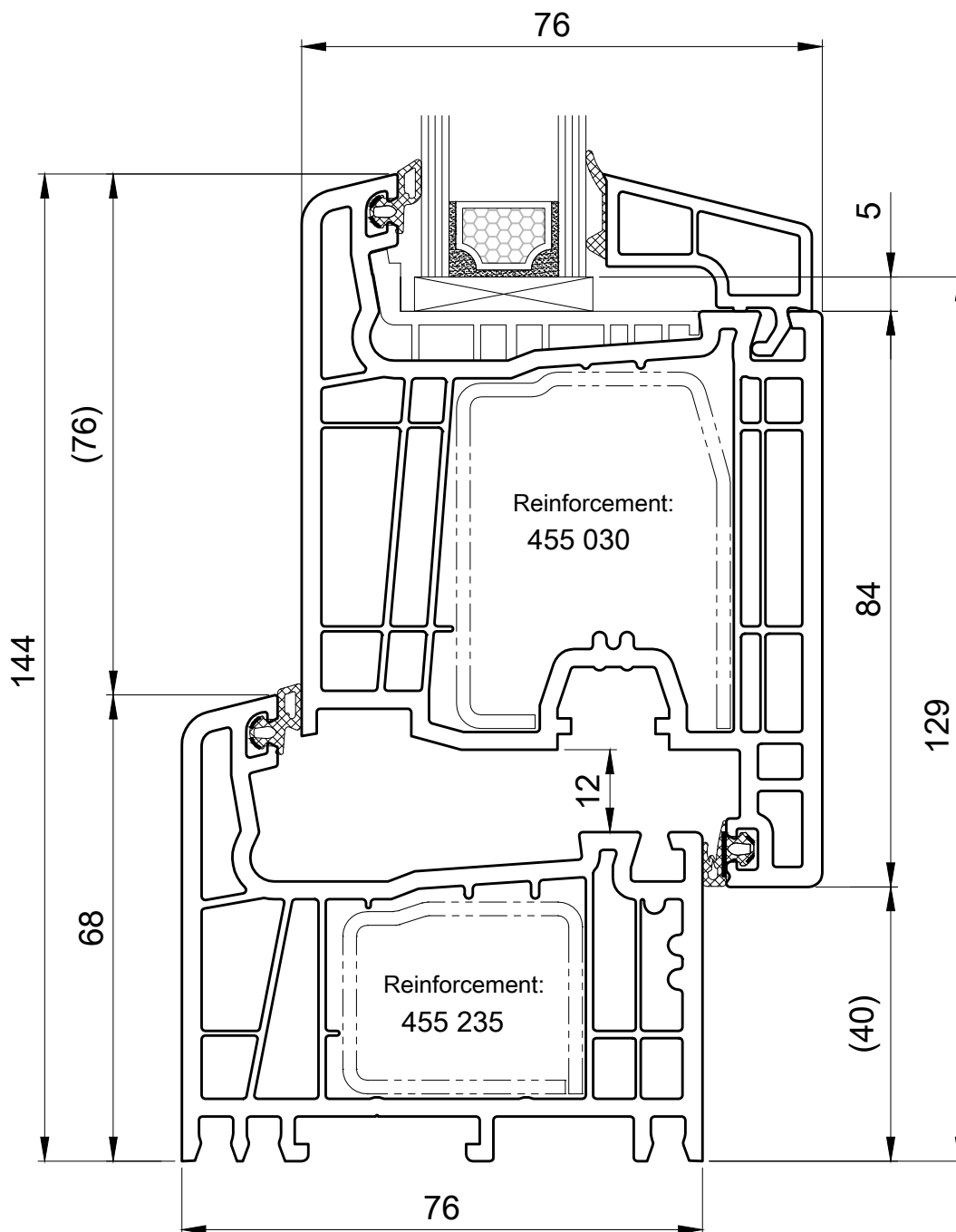


Frame / Casement

Frame
250 220

Casement
251 030

ST 04
01.10

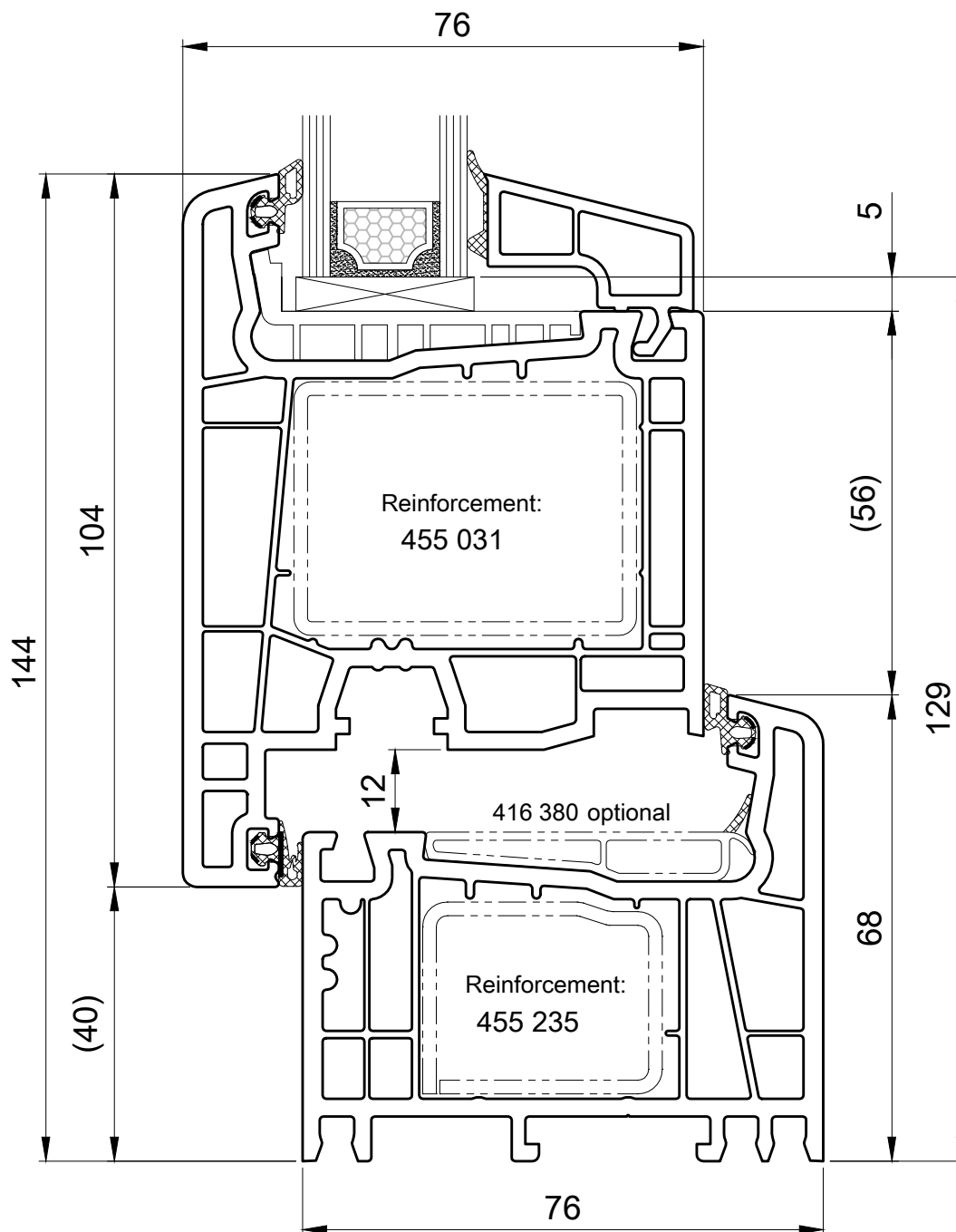


Frame / T- shaped casement

Frame
250 220

T- shaped casement
351 030

ST 04
01.11

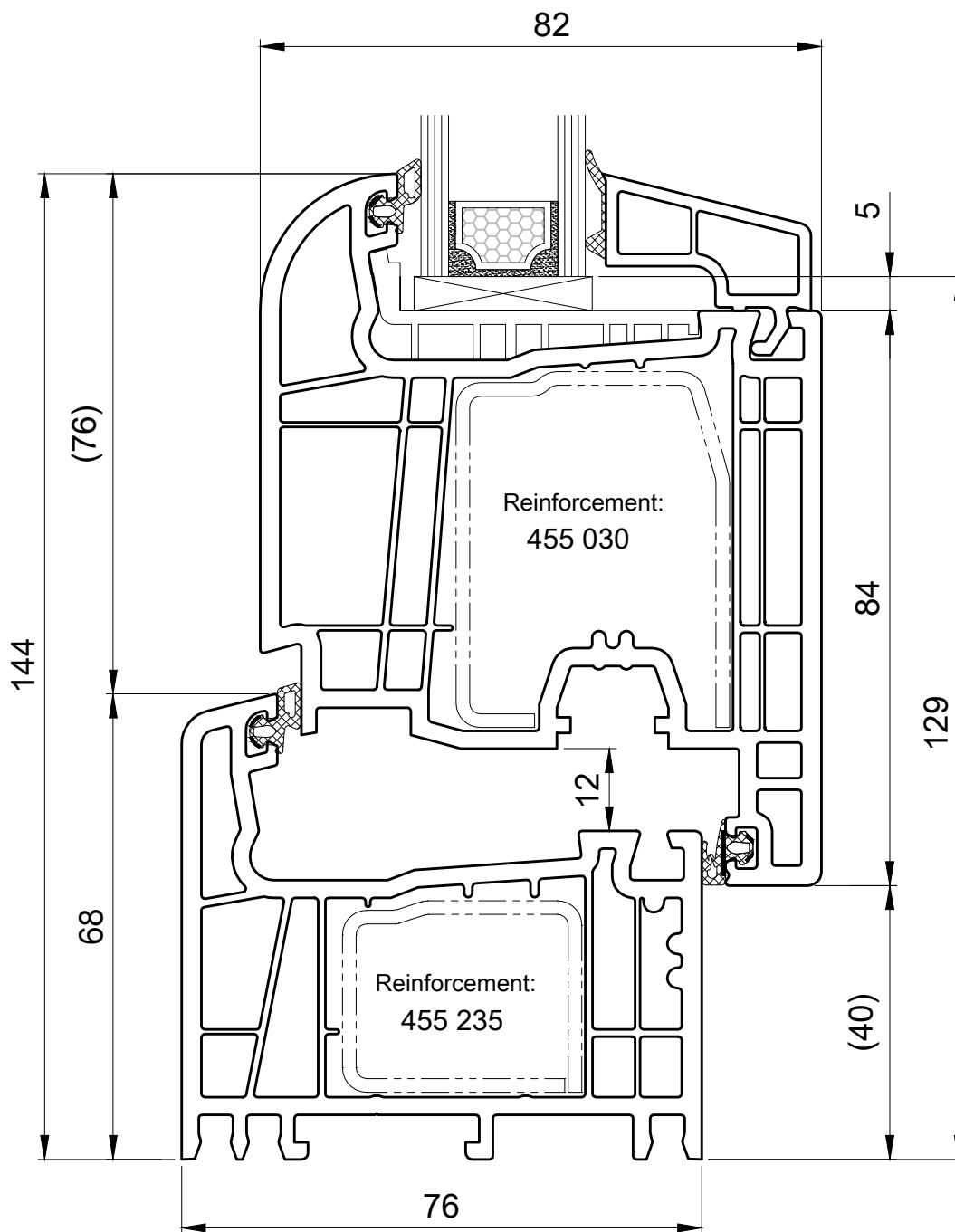


Frame / Casement

Frame
250 220

Casement
251 236

ST 04
01.12

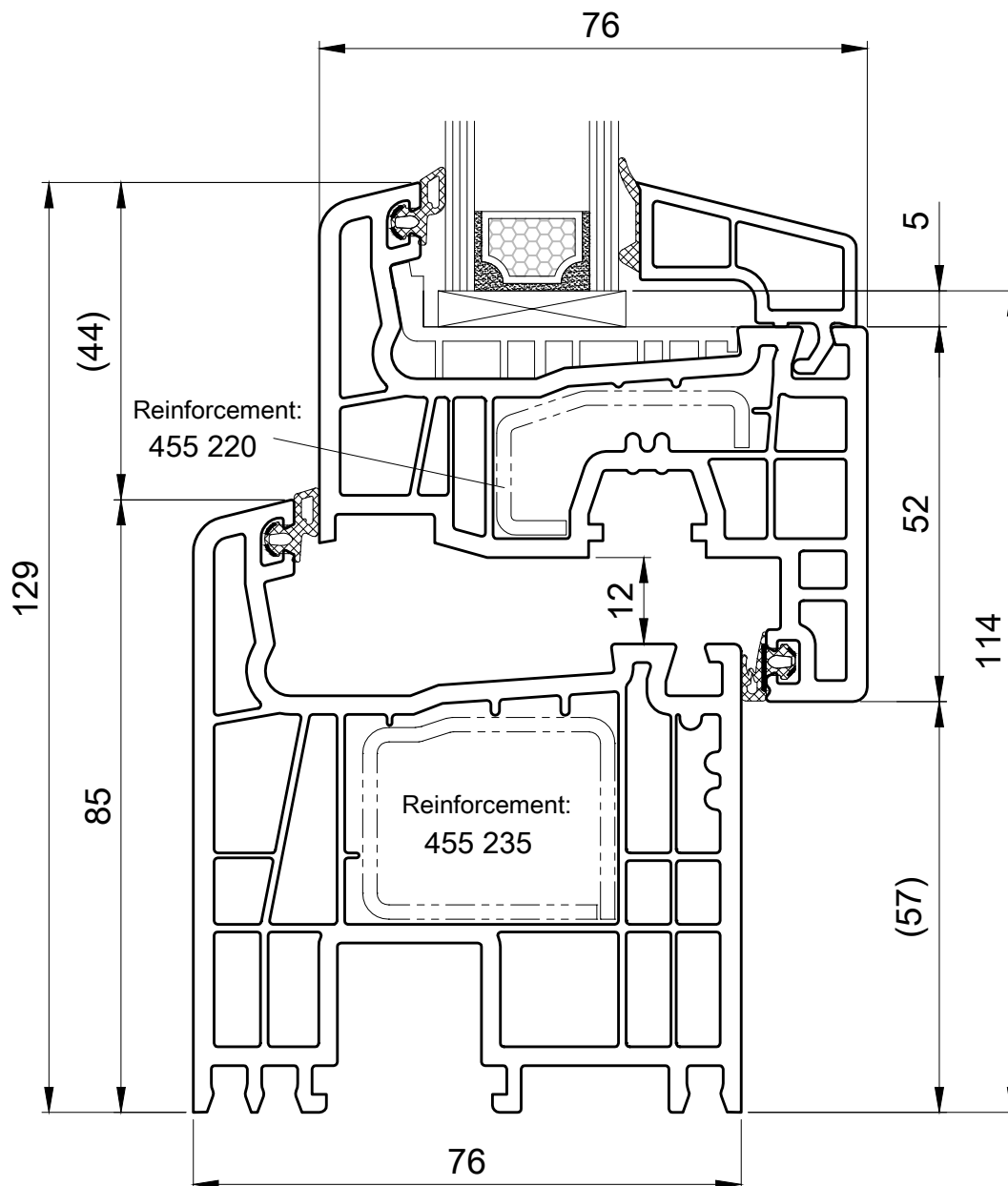


Frame / Casement

Frame
250 230

Casement
251 010

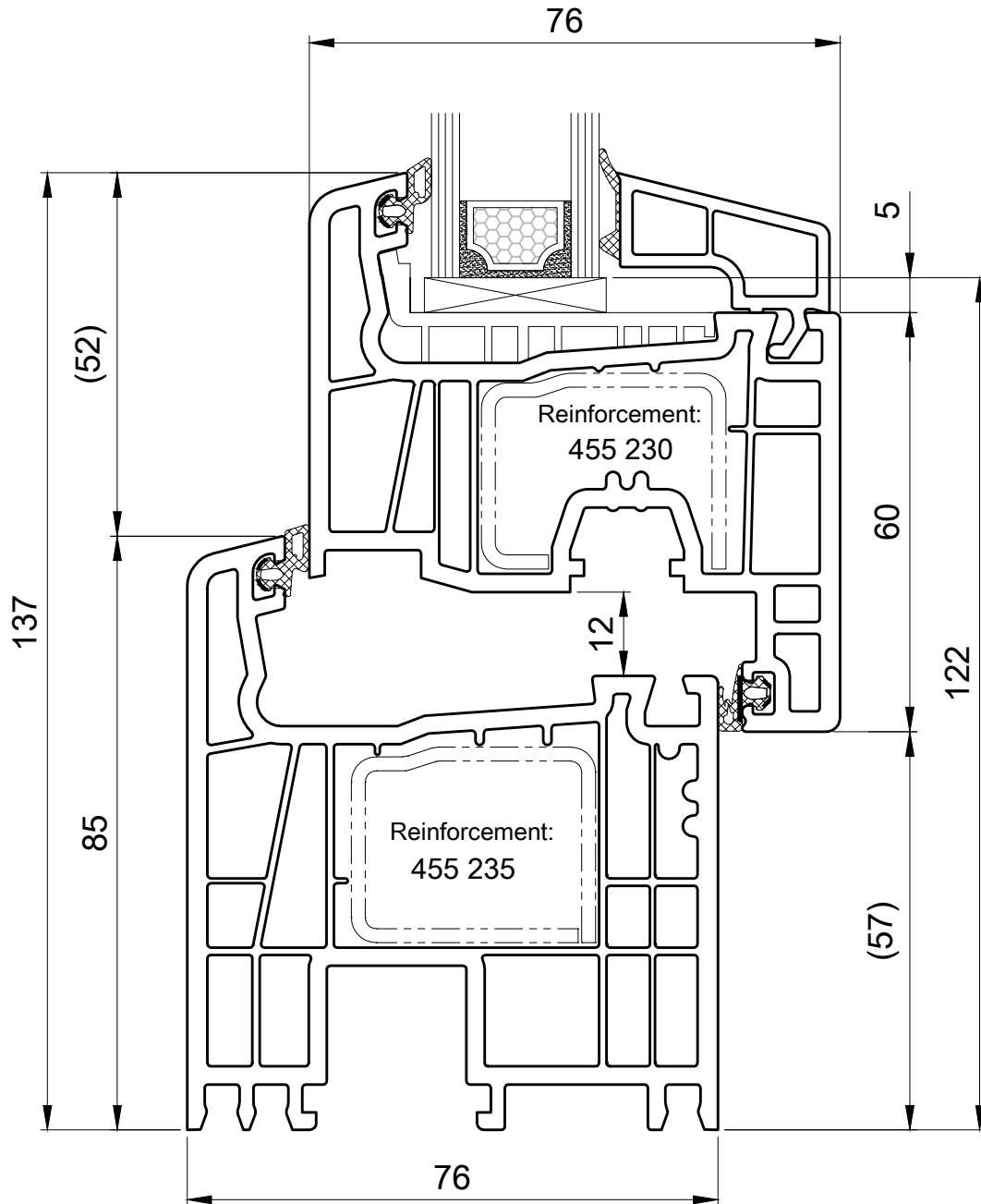
ST 04
01.15



Frame
250 230

Casement
251 020

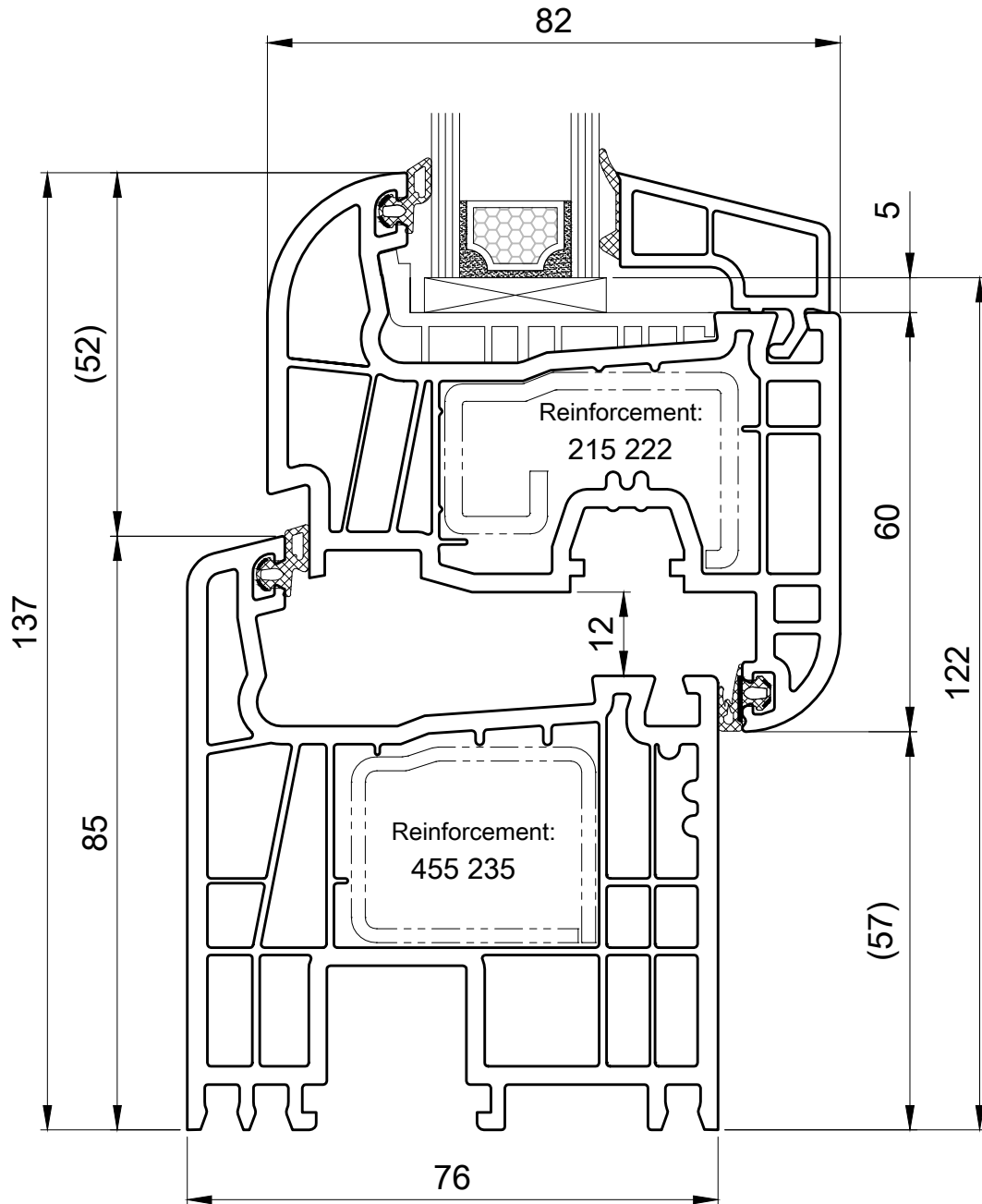
ST 04
01.16



Frame
250 230

Casement
251 222

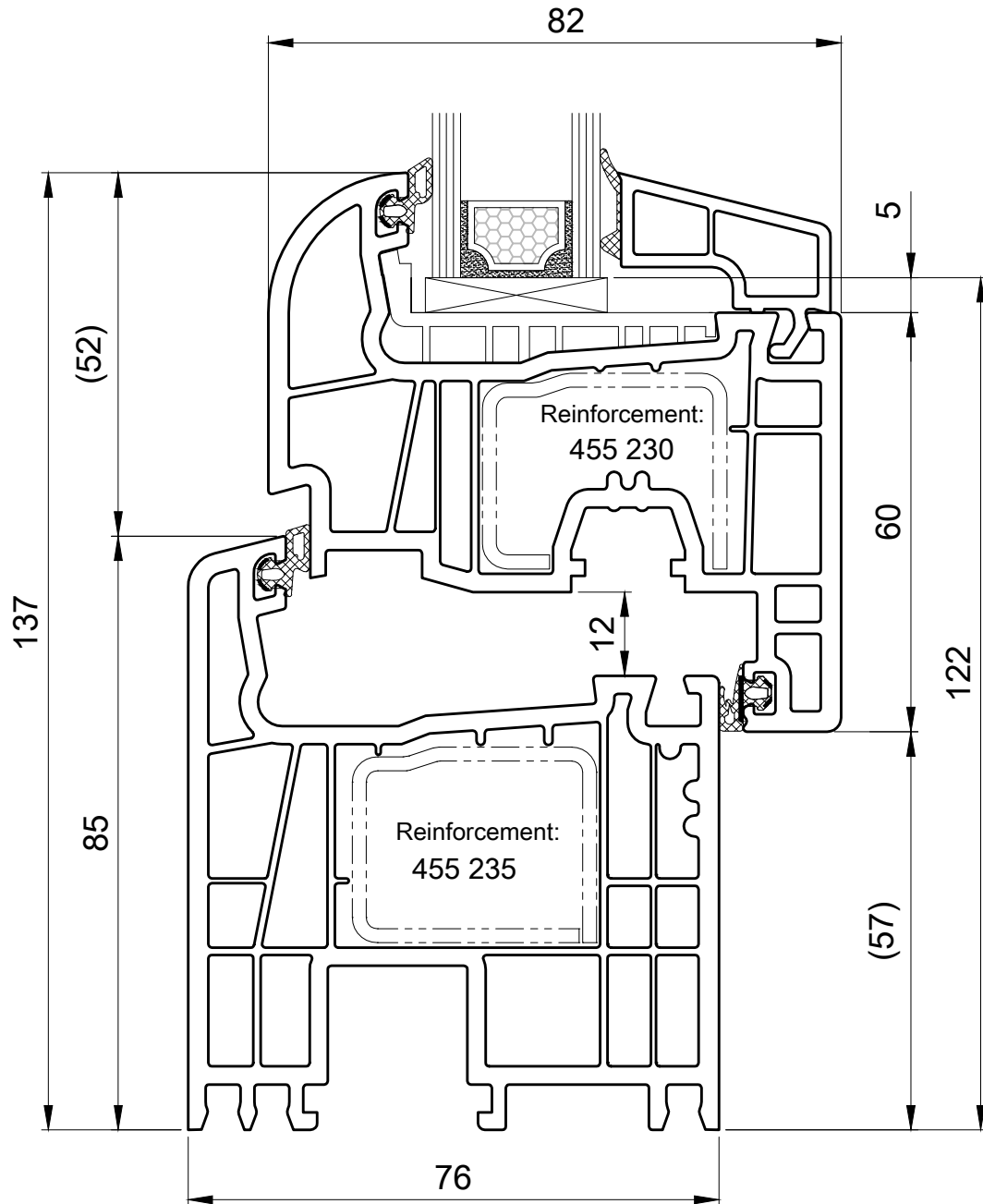
ST 04
01.17



Frame
250 230

Casement
251 226

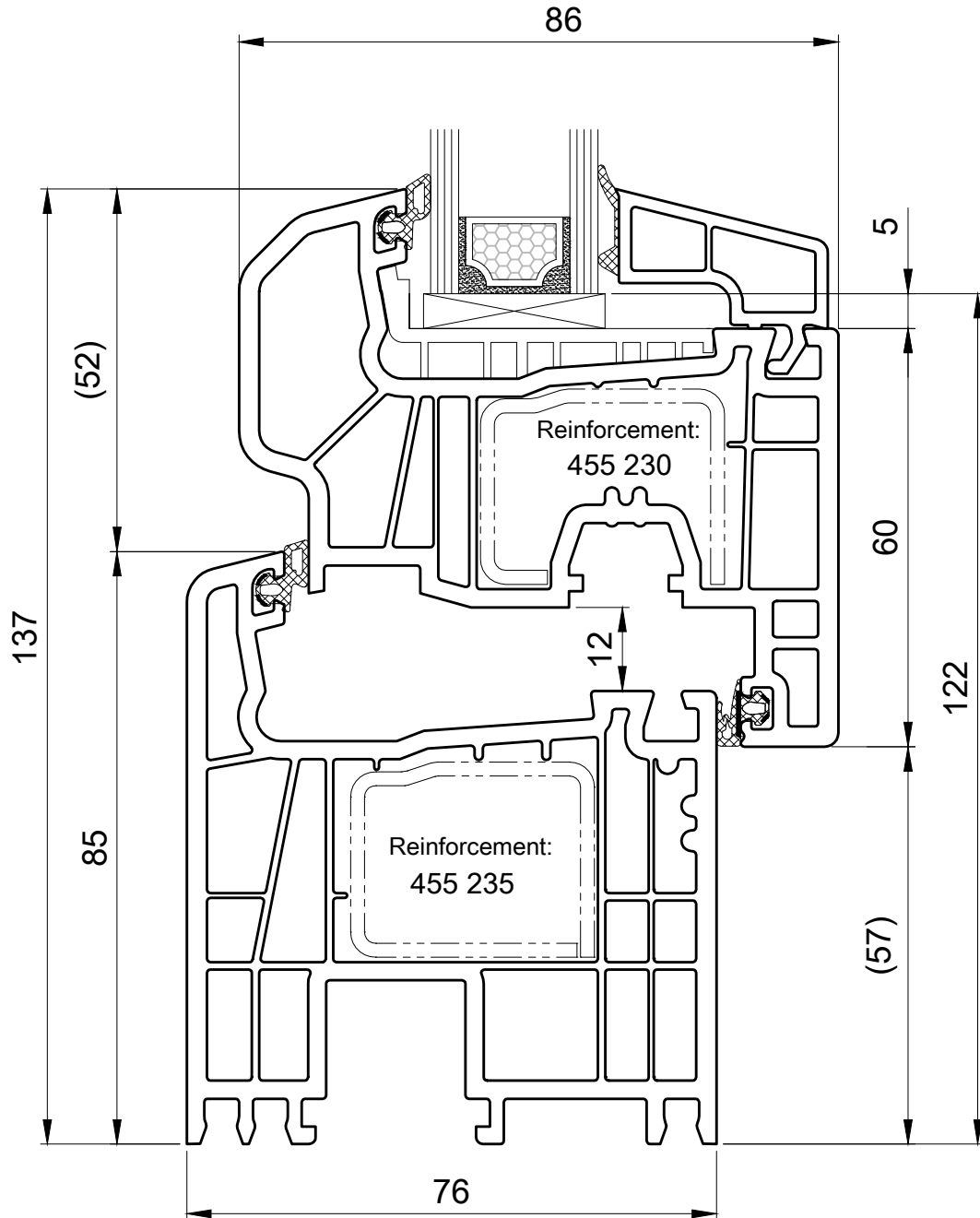
ST 04
01.18



Frame
250 230

Casement
251 365

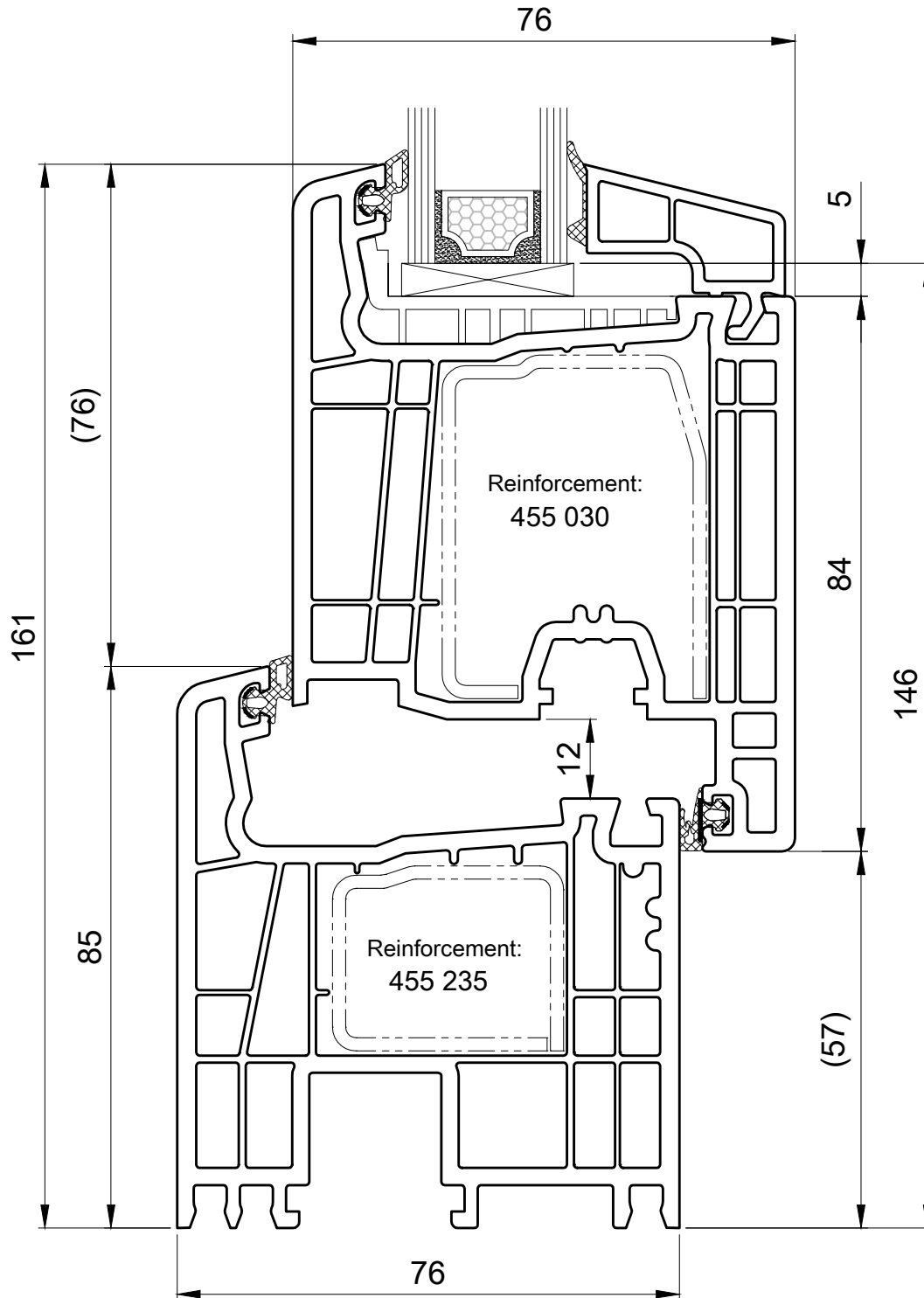
ST 04
01.19



Frame
250 230

Casement
251 030

ST 04
01.20



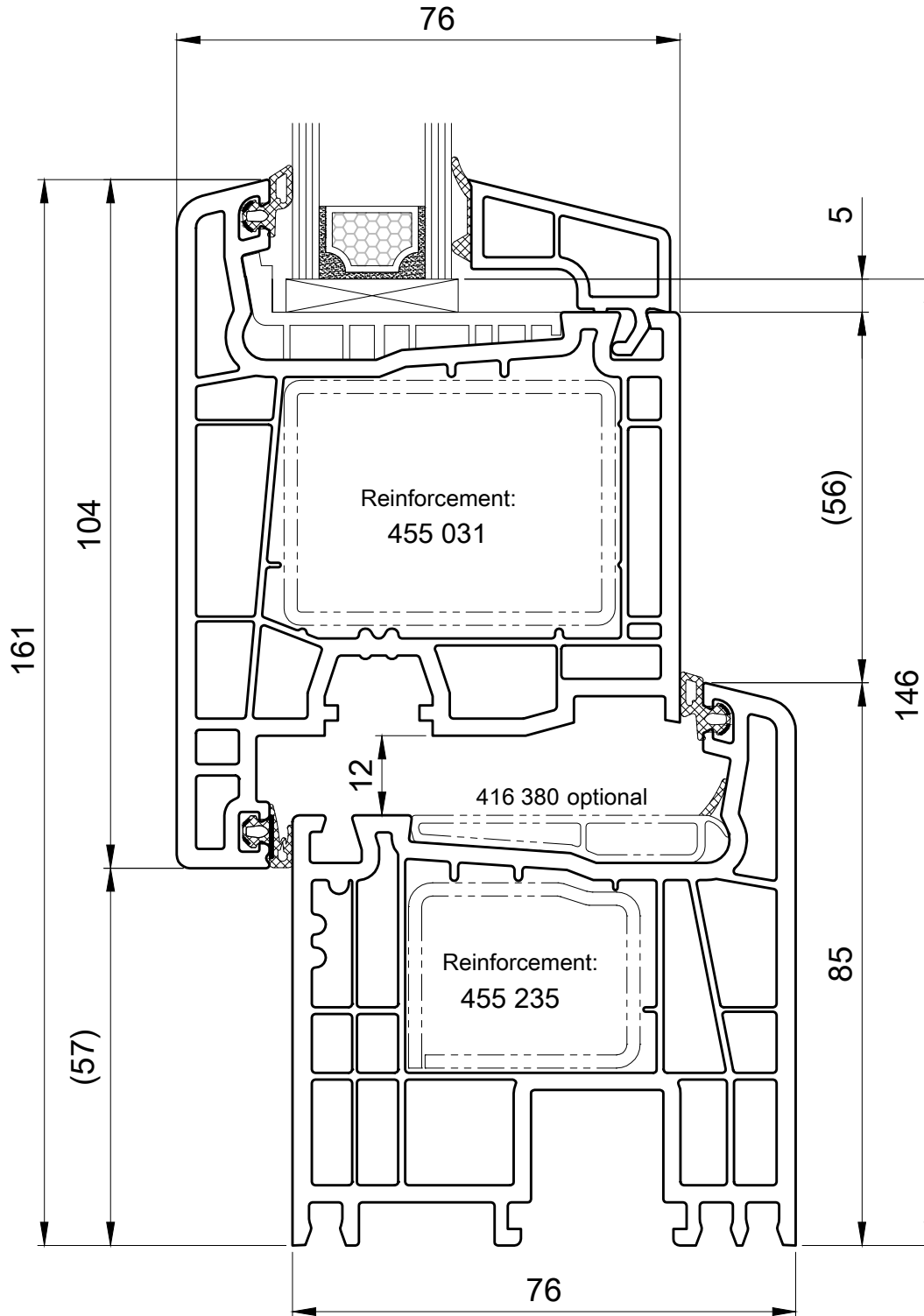
System Salamander: Streamline

Frame / T- shaped casement

Frame
250 230

T- shaped casement
351 030

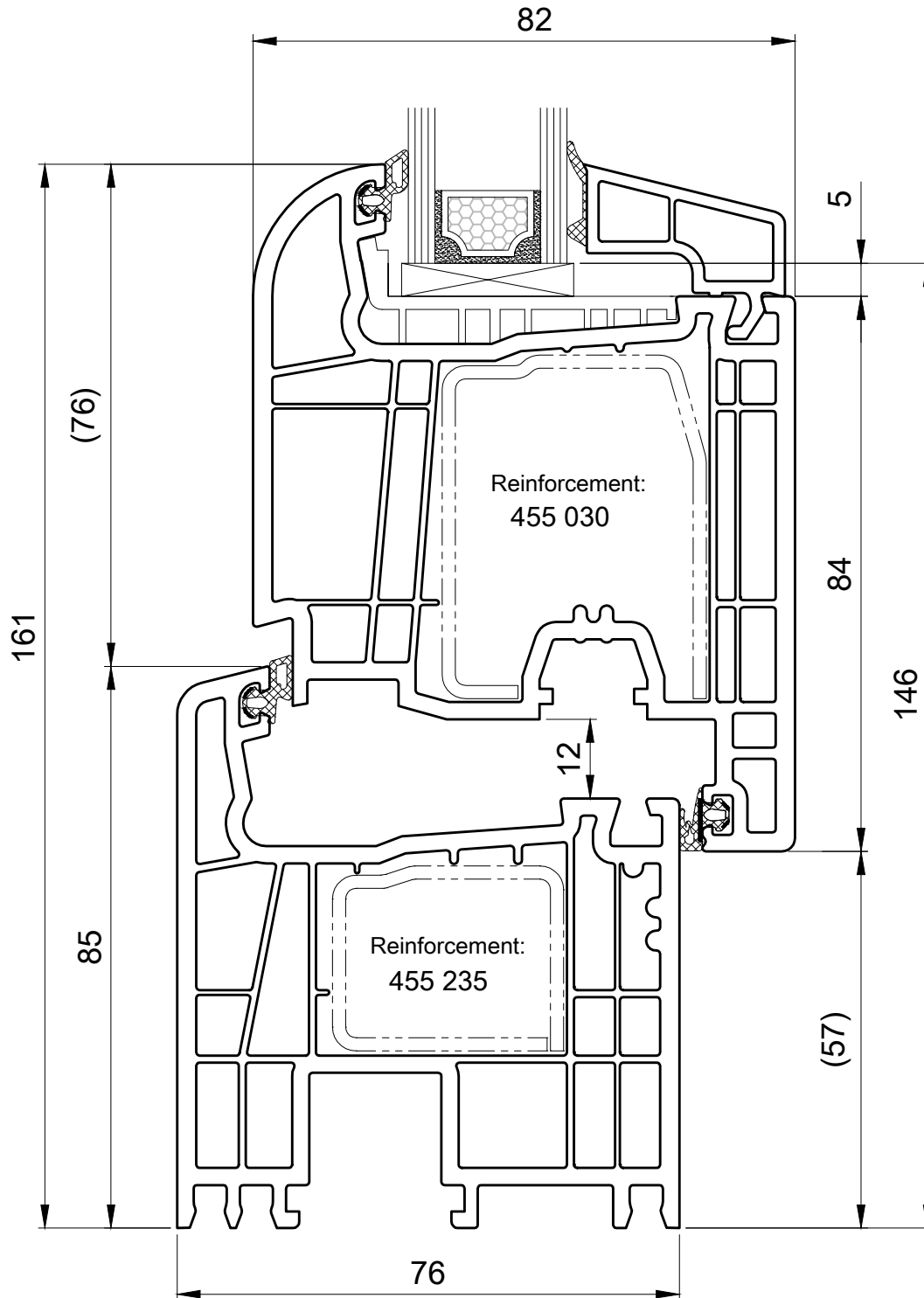
ST 04
01.21



Frame
250 230

Casement
251 236

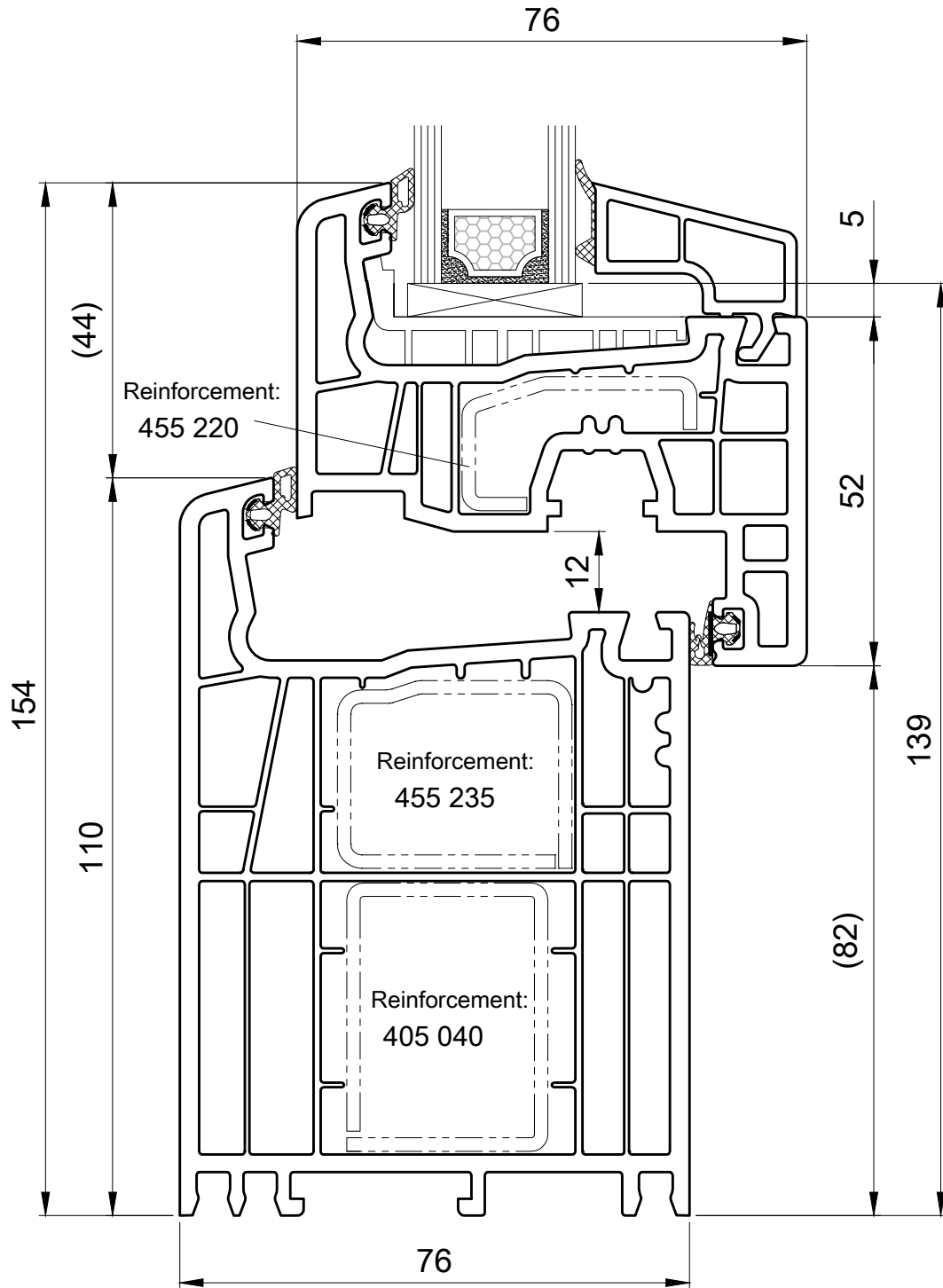
ST 04
01.22



Frame
250 240

Casement
251 010

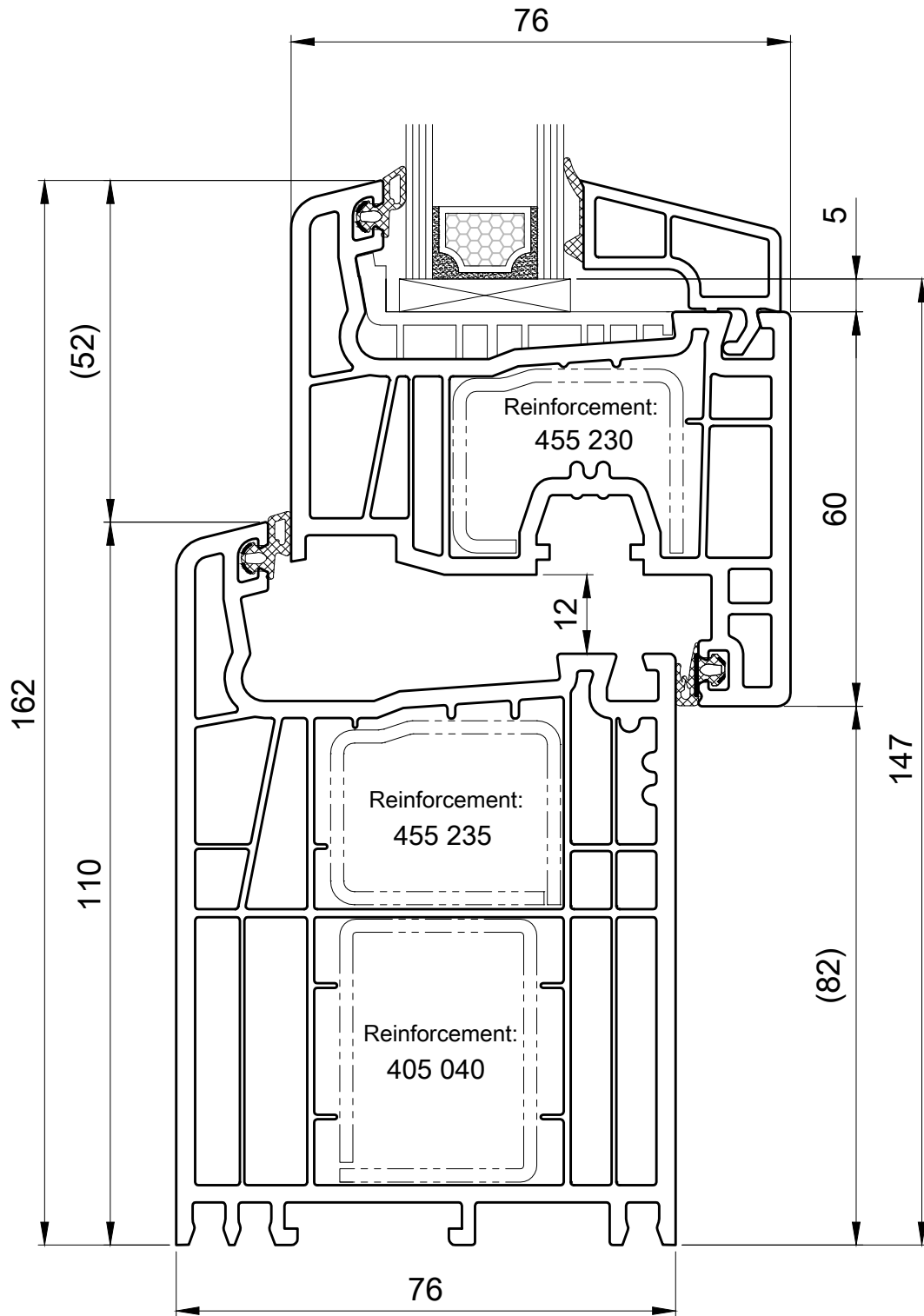
ST 04
01.24



Frame
250 240

Casement
251 020

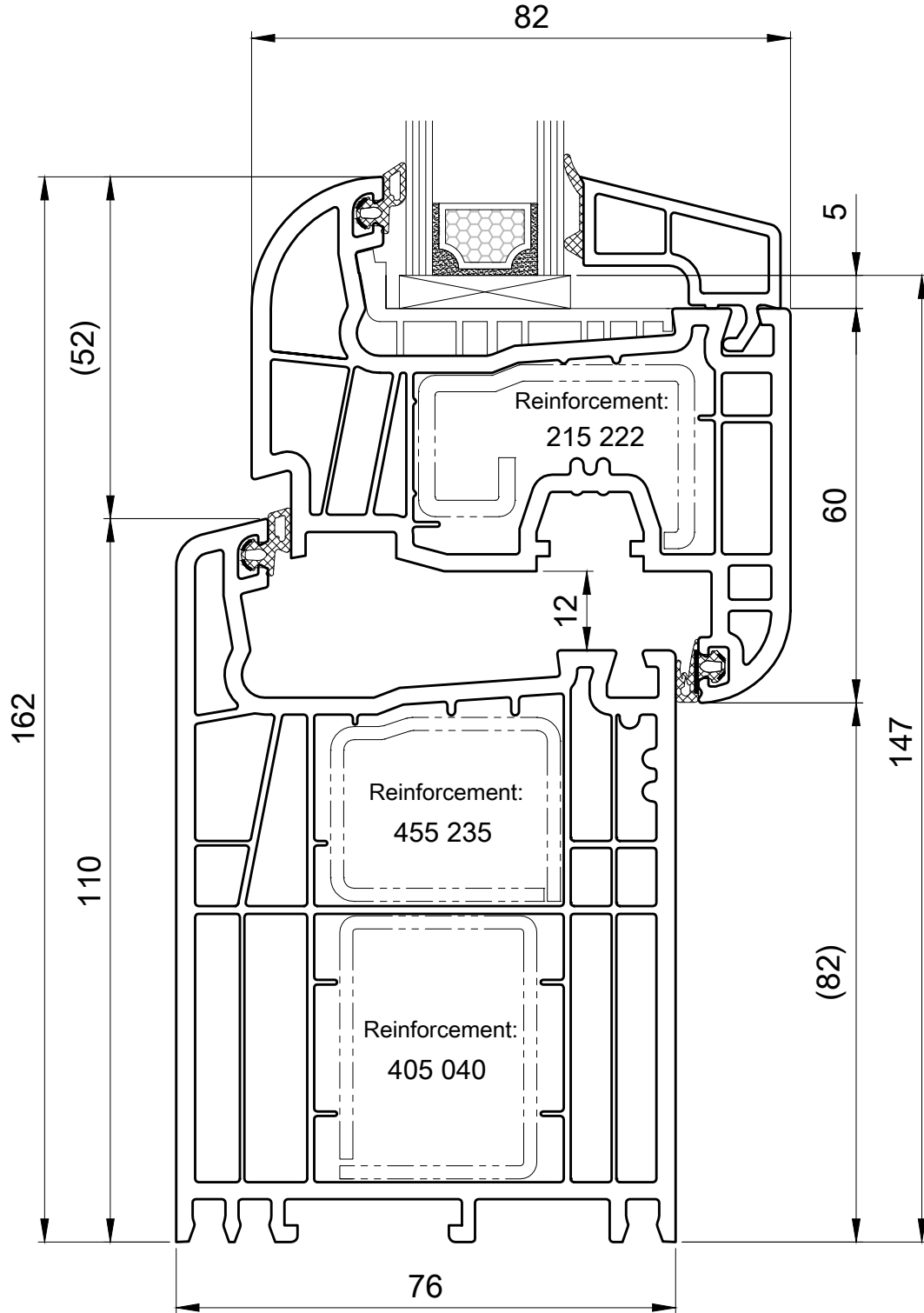
ST 04
01.25



Frame
250 240

Casement
251 222

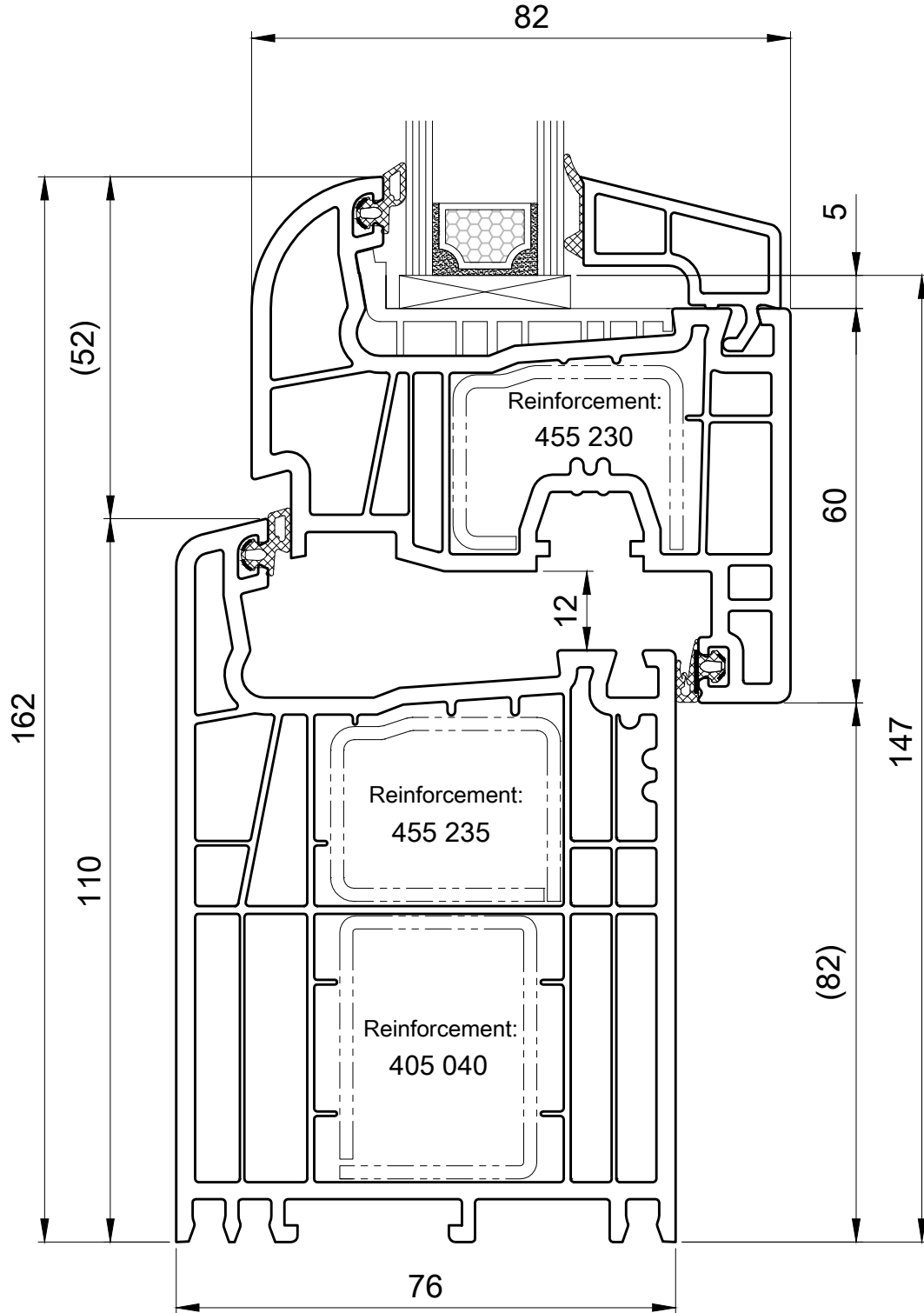
ST 04
01.26



Frame
250 240

Casement
251 226

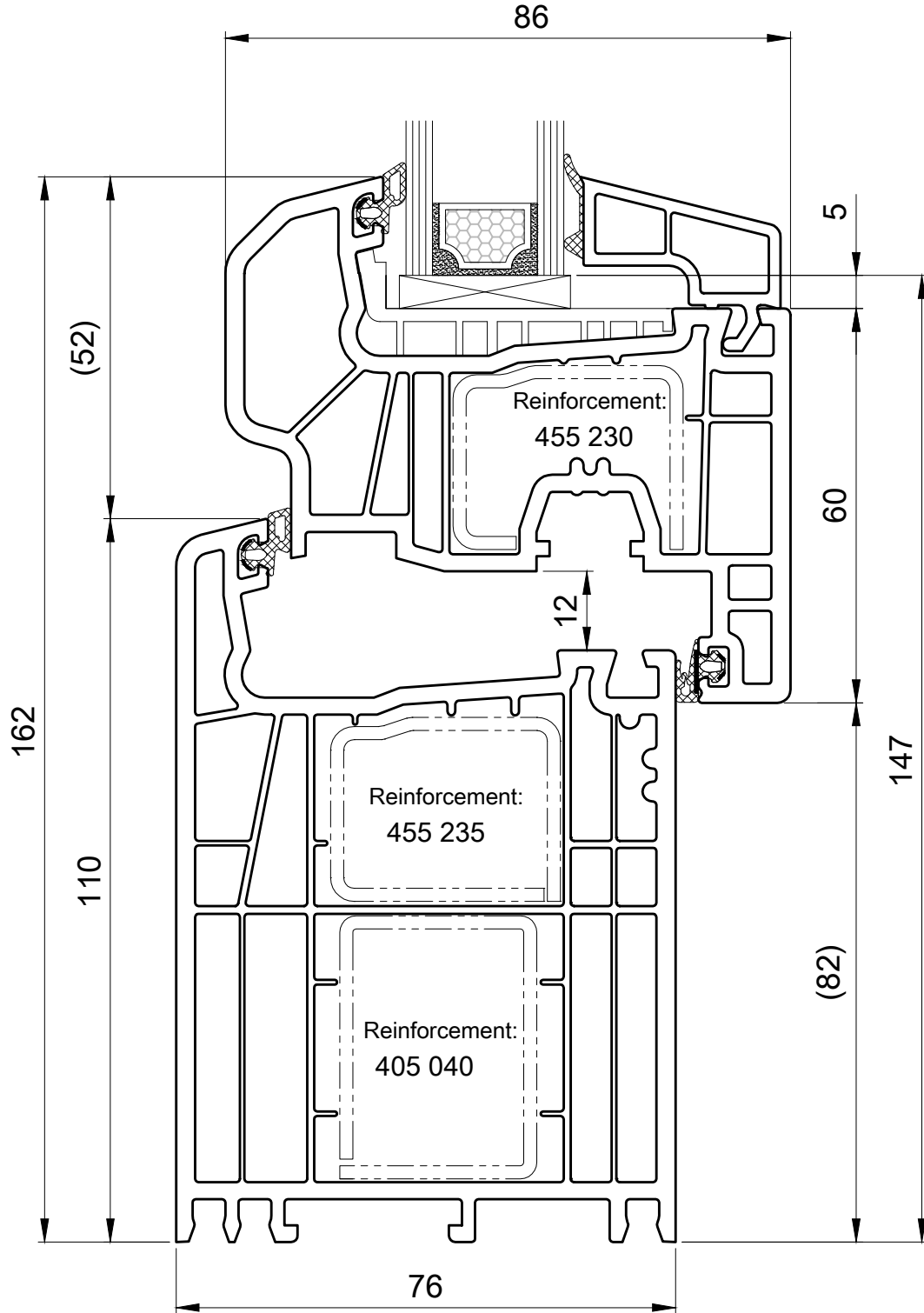
ST 04
01.27



Frame
250 240

Casement
251 365

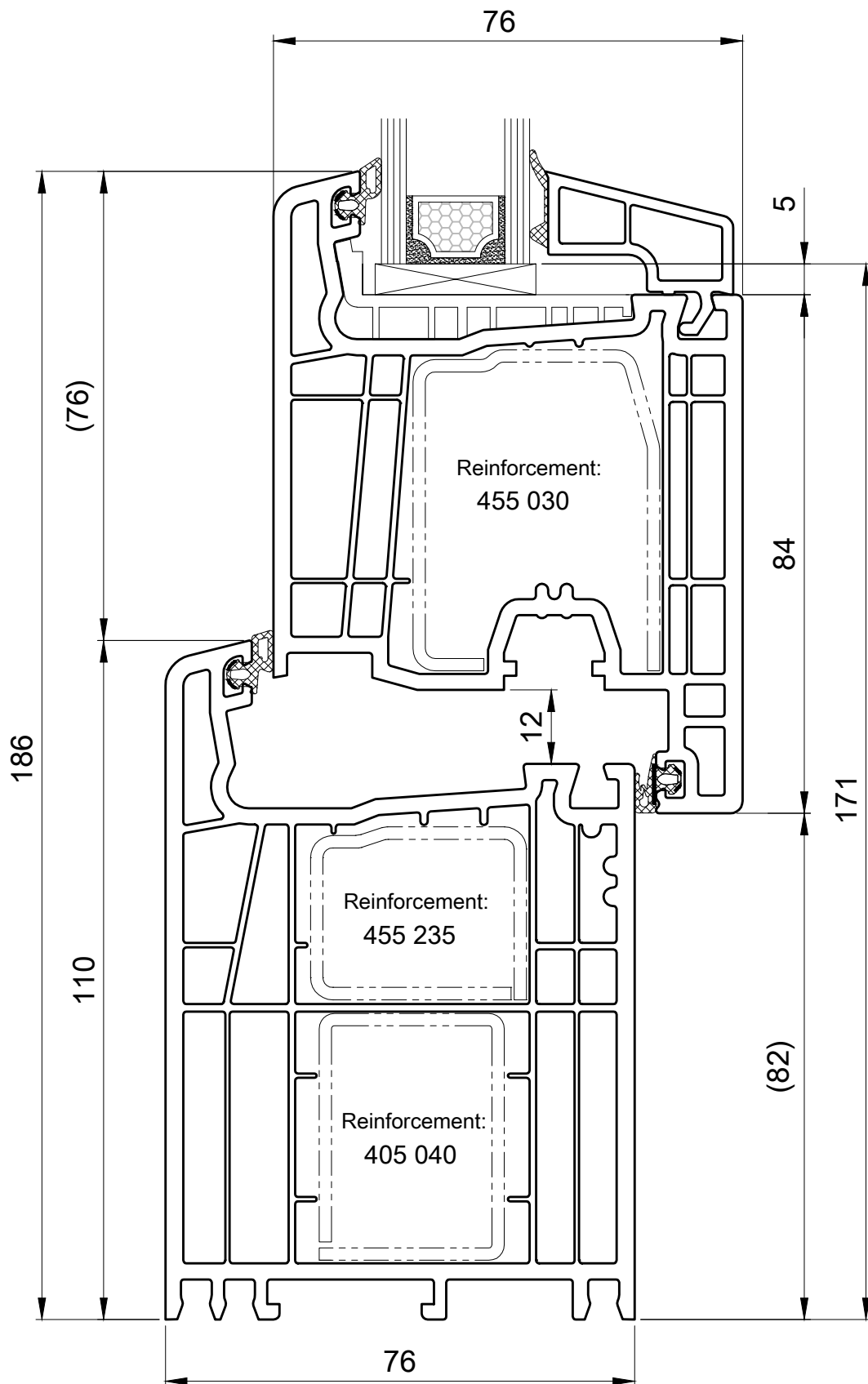
ST 04
01.28



Frame
250 240

Casement
251 030

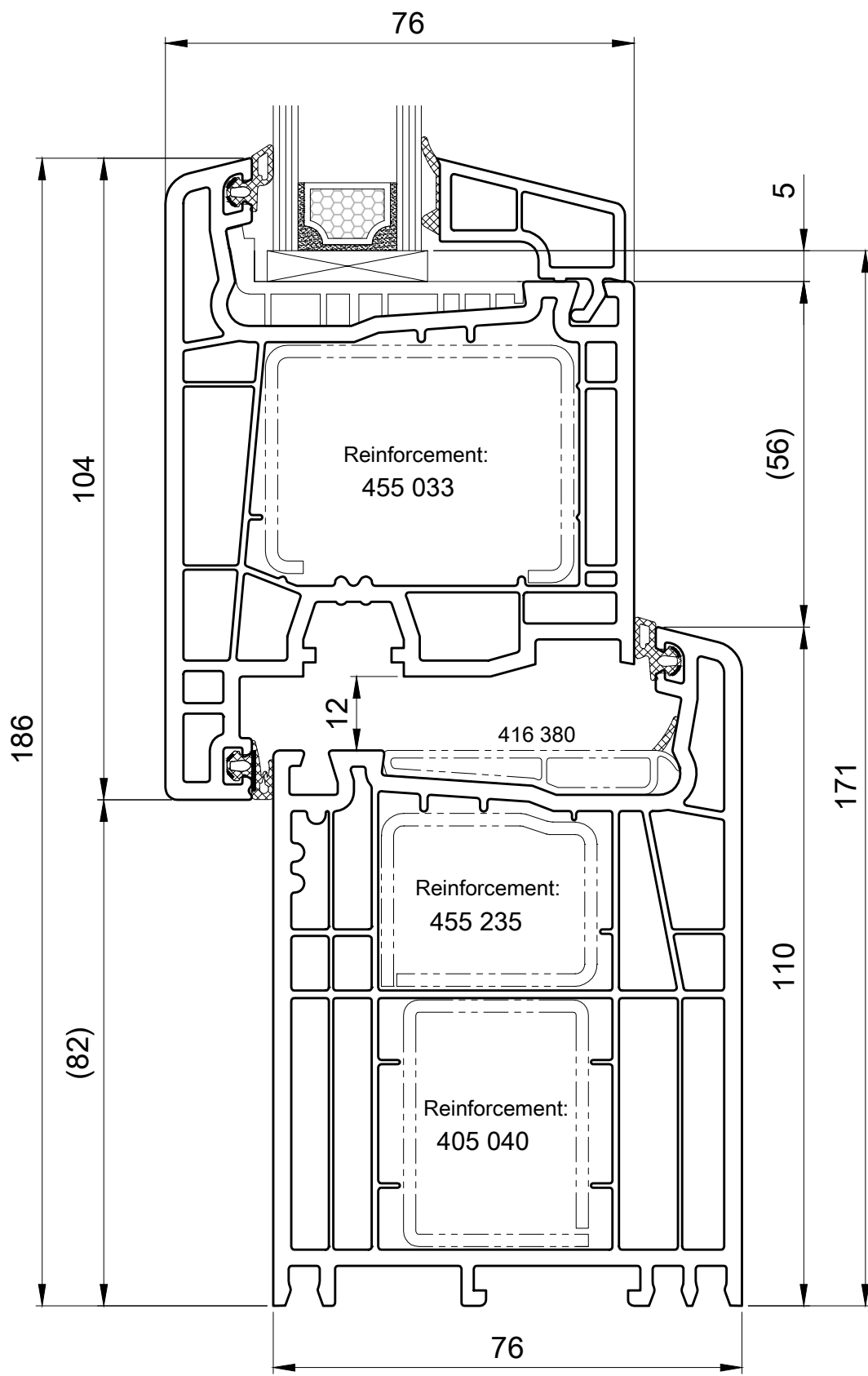
ST 04
01.29



Frame
250 240

T- shaped casement
351 030

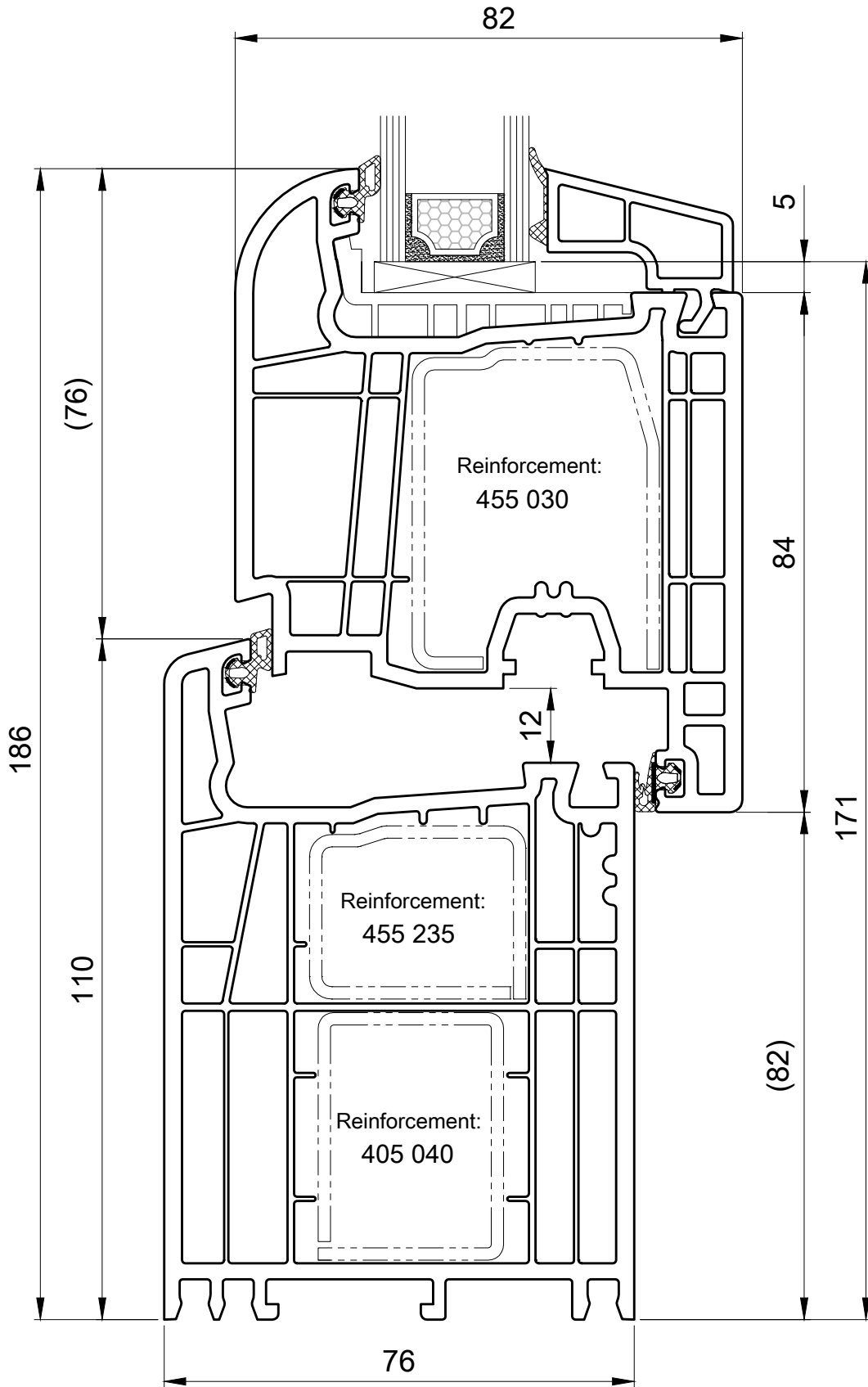
ST 04
01.30



Frame
250 240

Casement
251 236

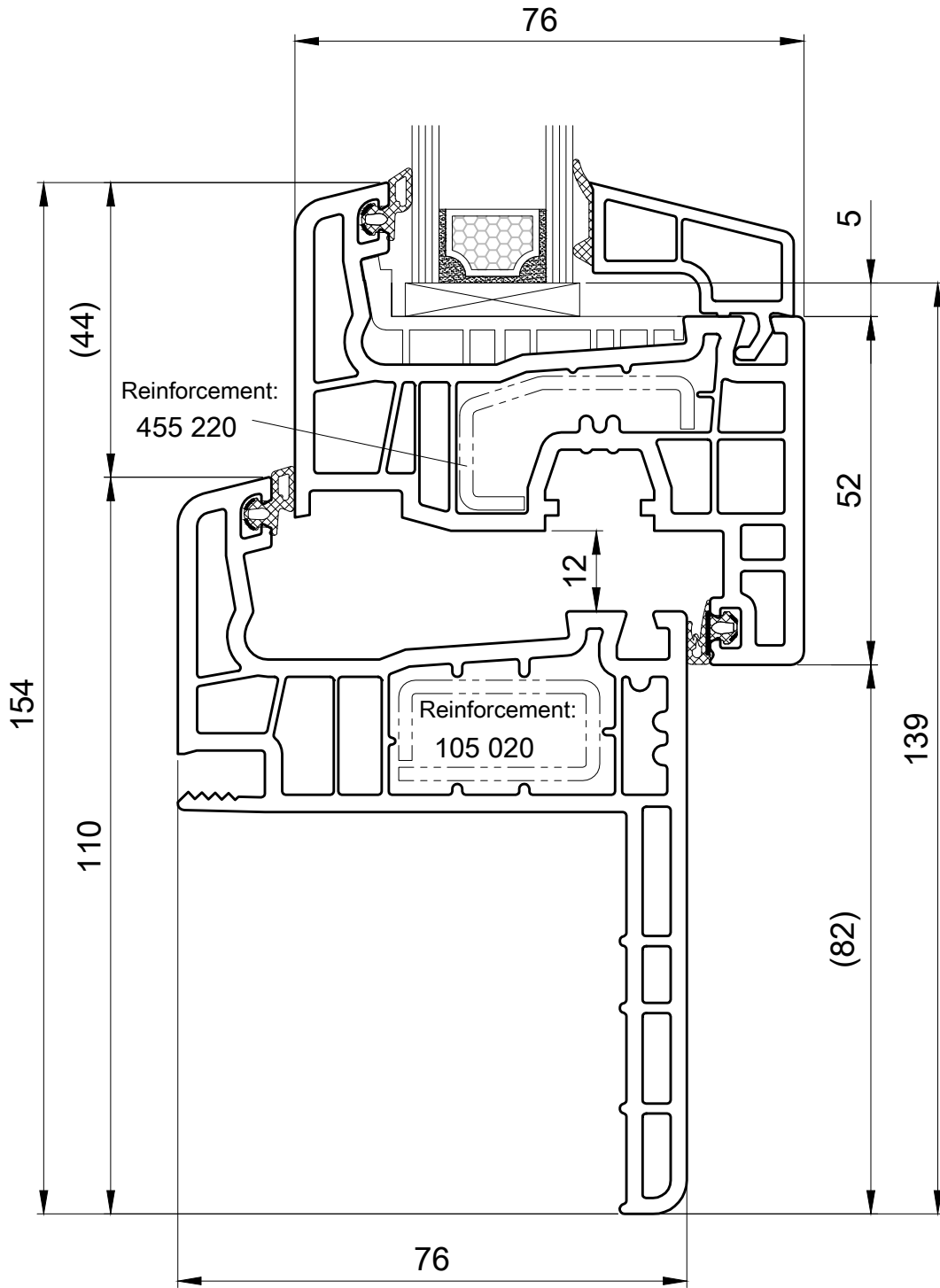
ST 04
01.31



Frame
250 100

Casement
251 010

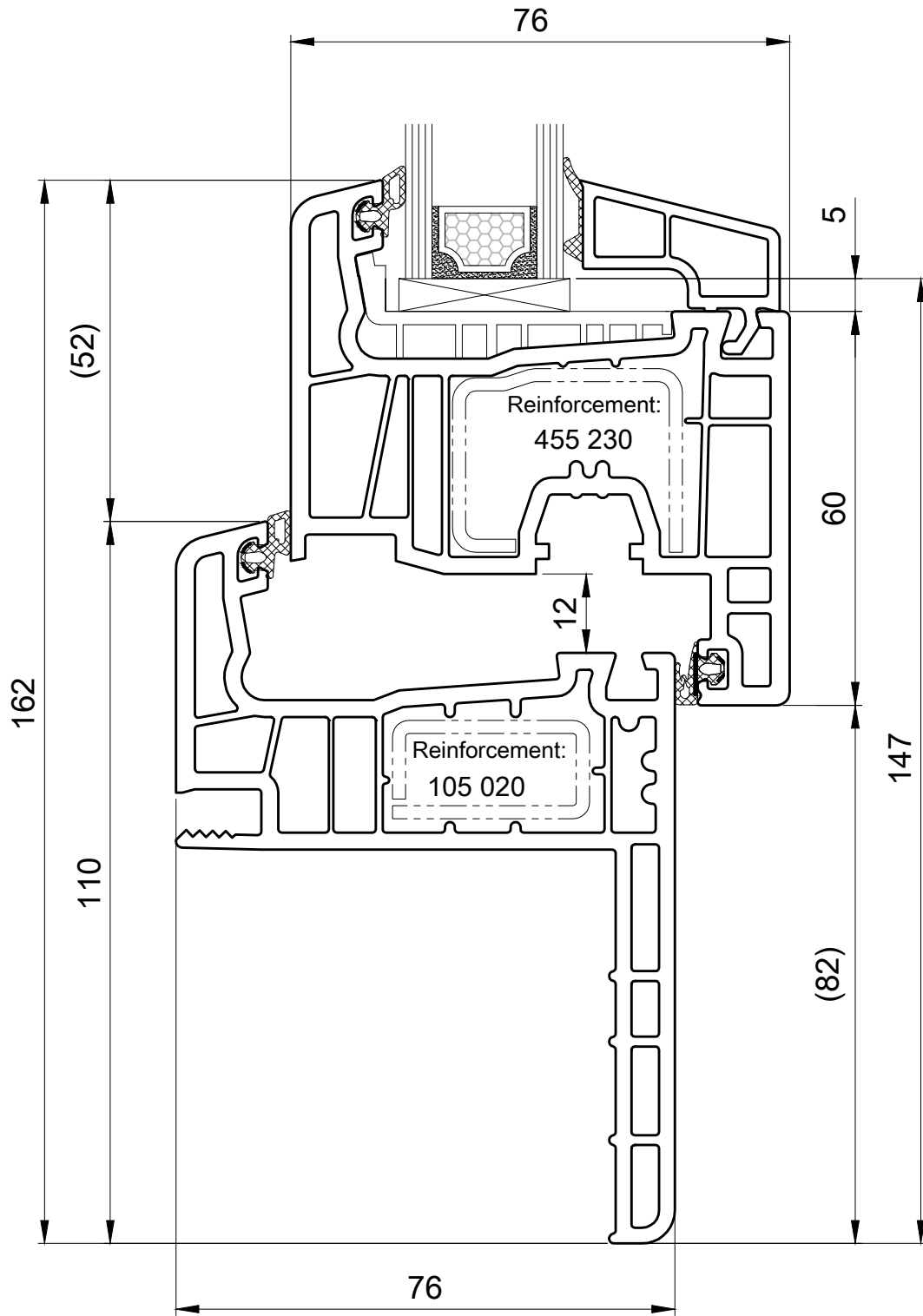
ST 04
01.32



Frame
250 100

Casement
251 020

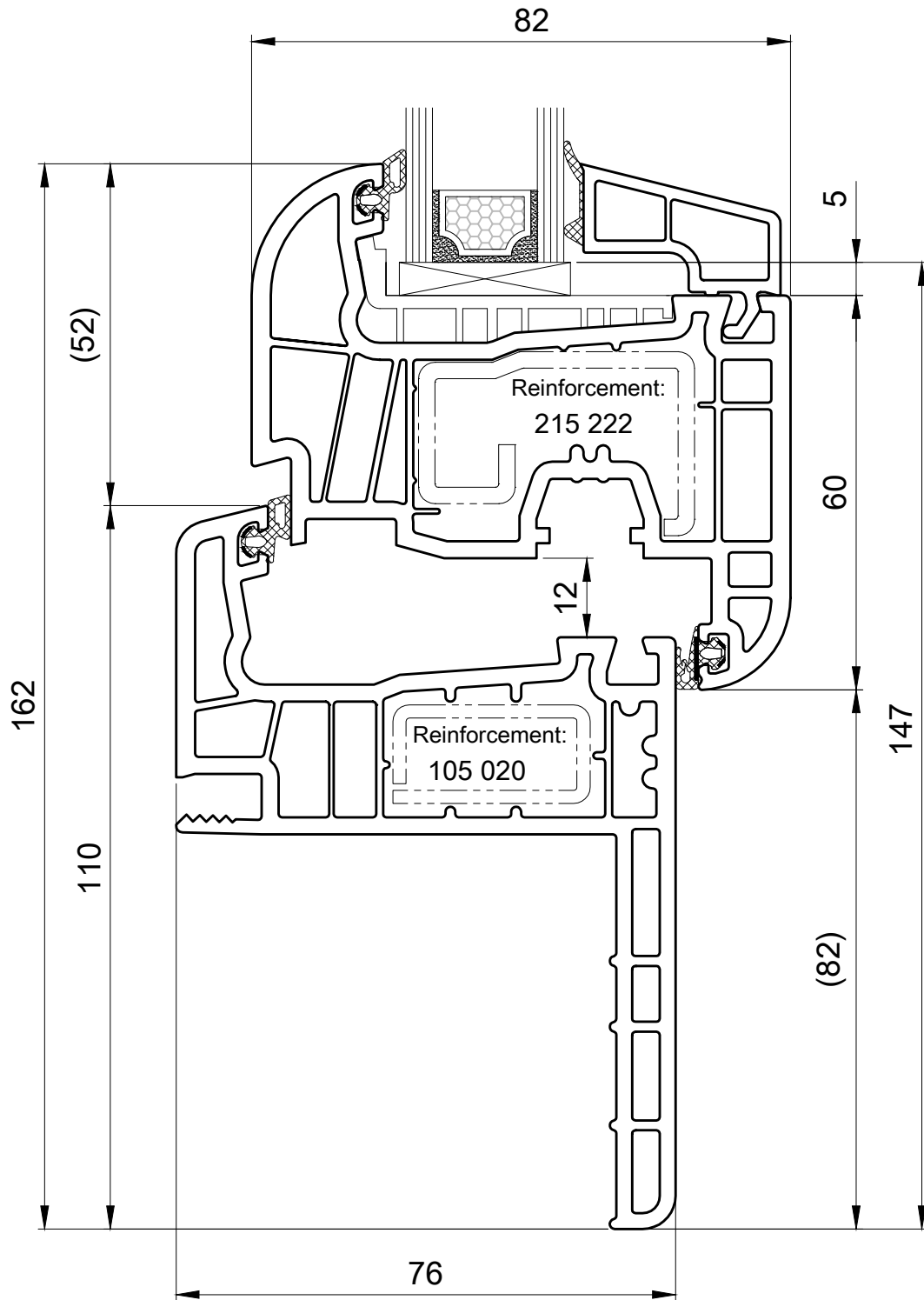
ST 04
01.33



Frame
250 100

Casement
251 222

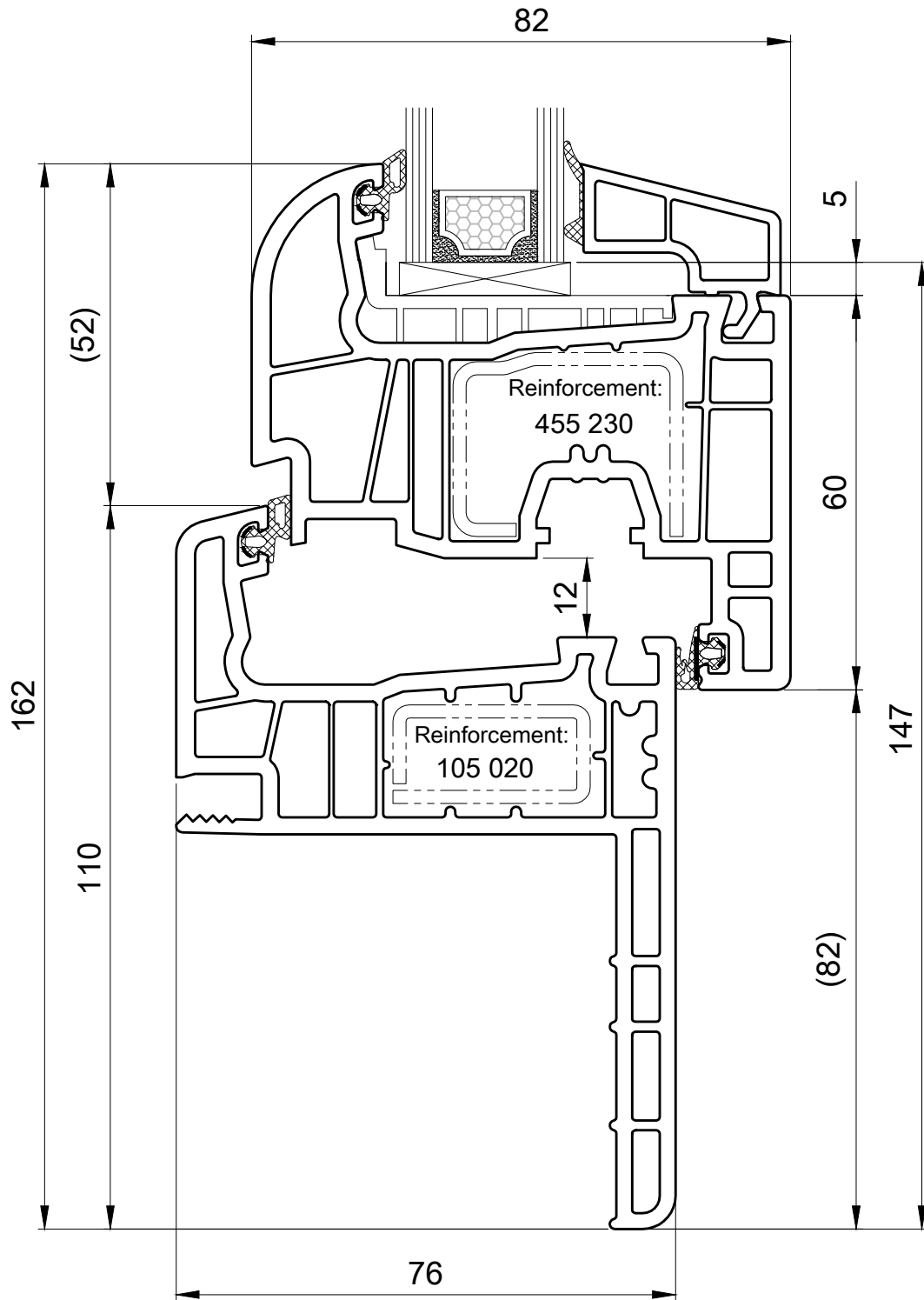
ST 04
01.34



Frame
250 100

Casement
251 226

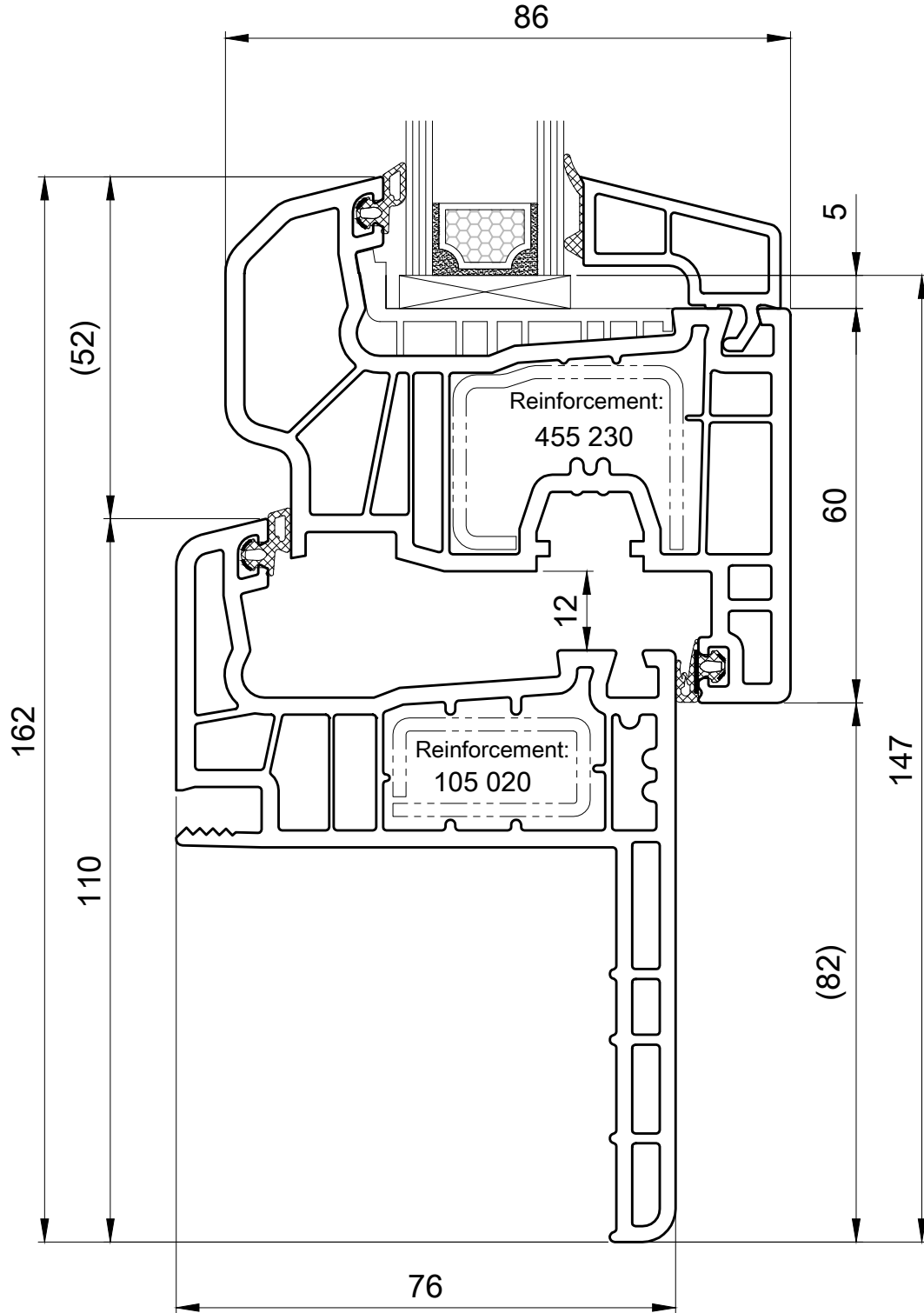
ST 04
01.35



Frame
250 100

Casement
251 365

ST 04
01.36

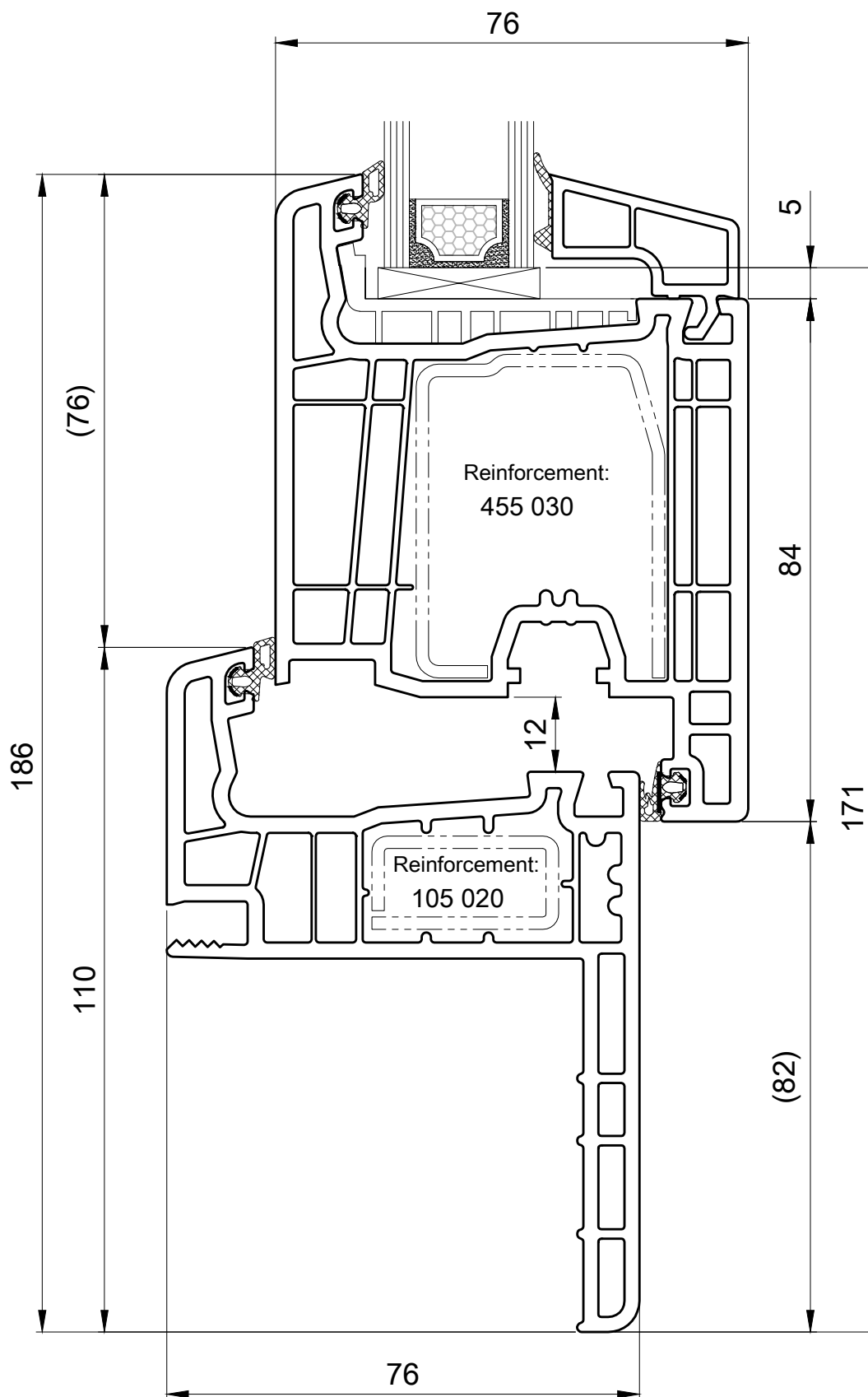


Frame / Casement

Frame
250 100

Casement
251 030

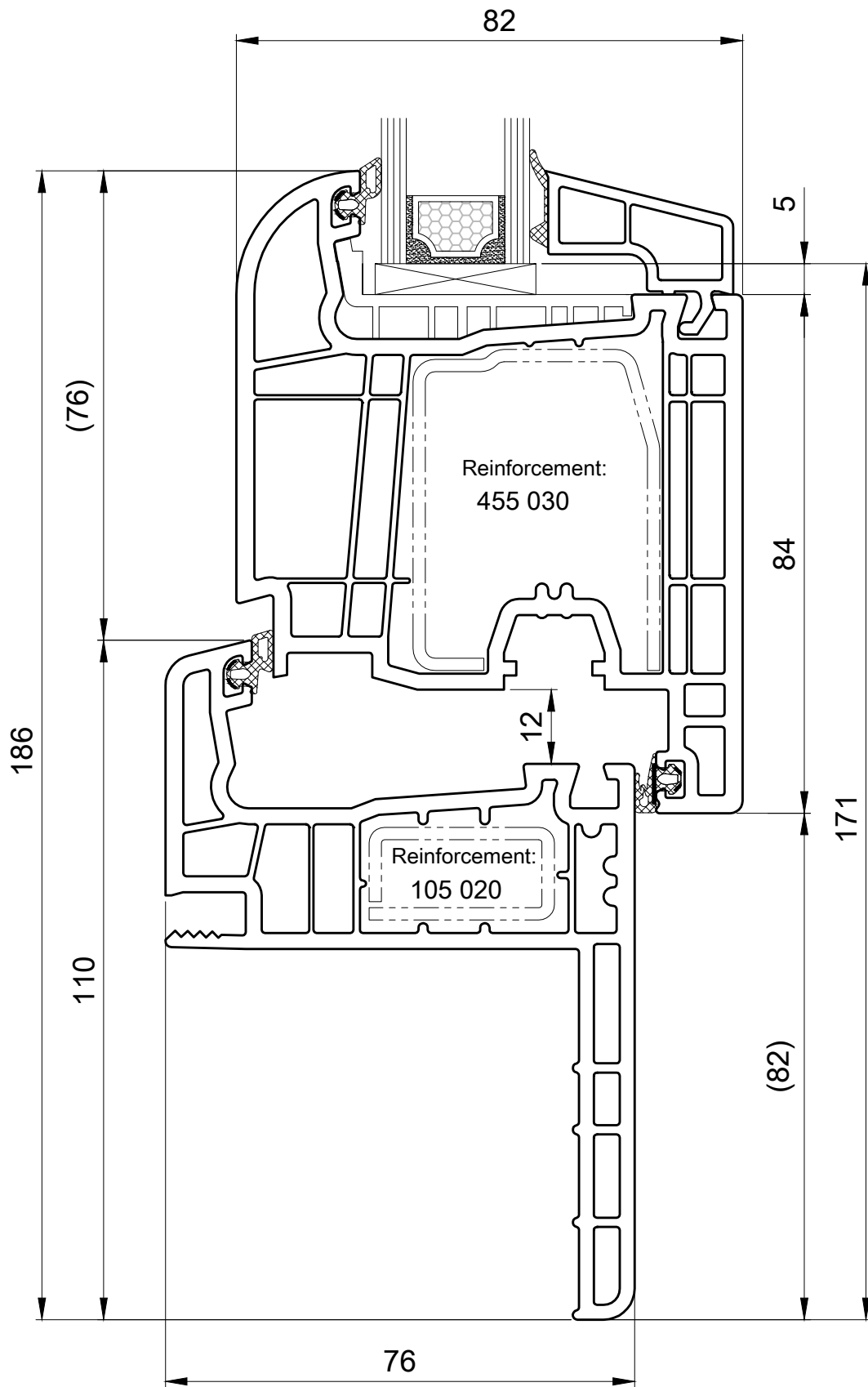
ST 04
01.37



Frame
250 100

Casement
251 236

ST 04
01.38

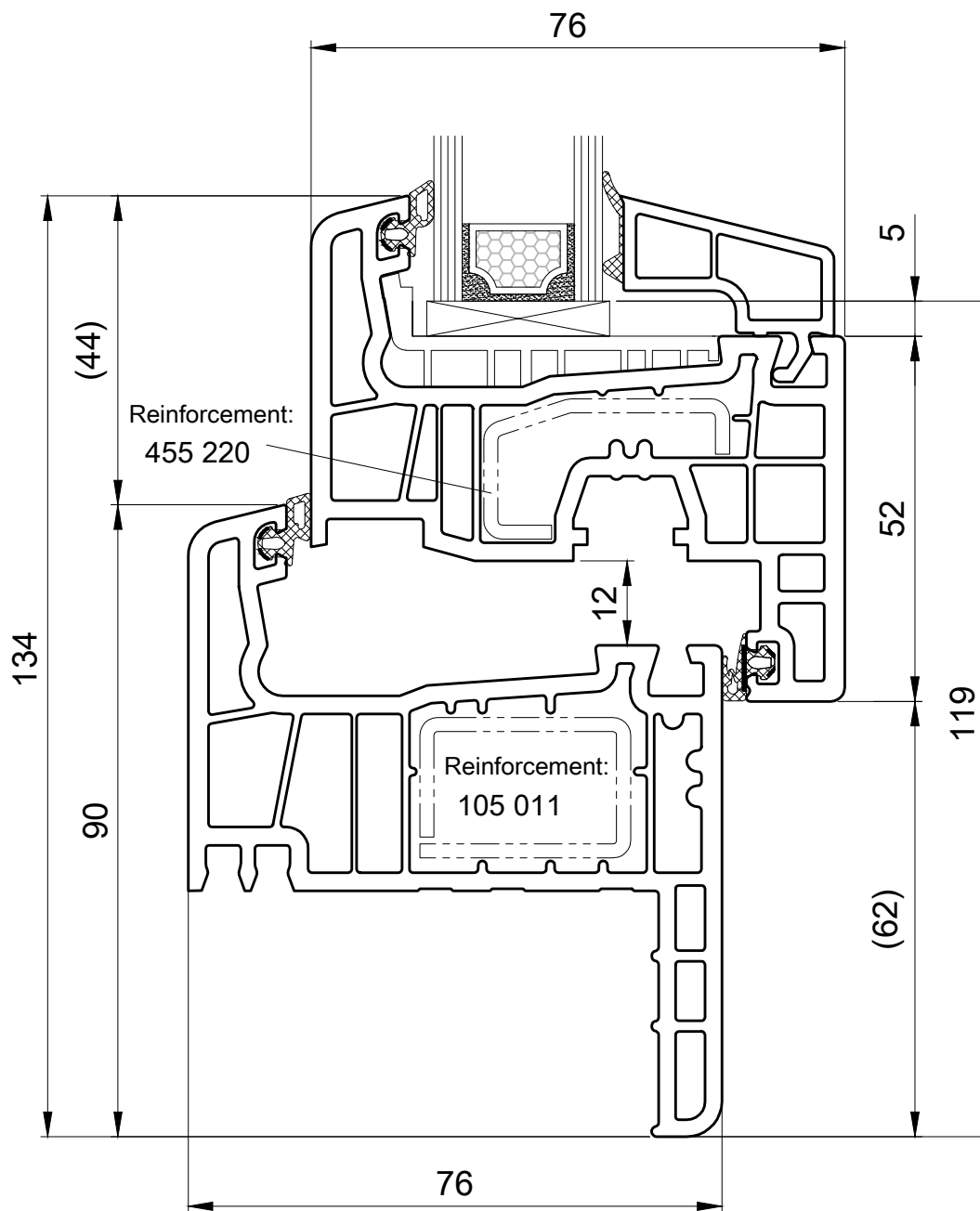


Frame / Casement

Frame
250 154

Casement
251 010

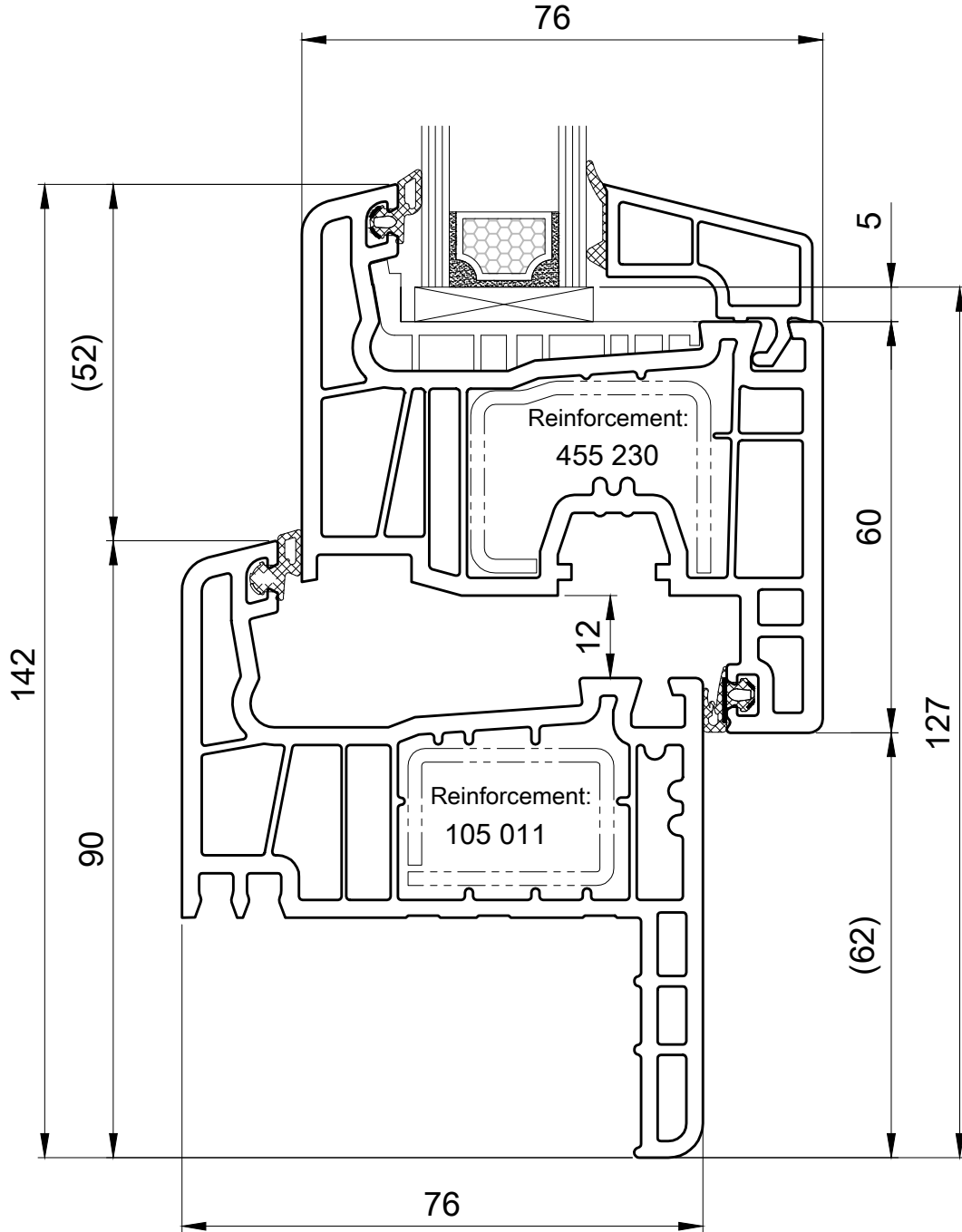
ST 04
01.39



Frame
250 154

Casement
251 020

ST 04
01.40

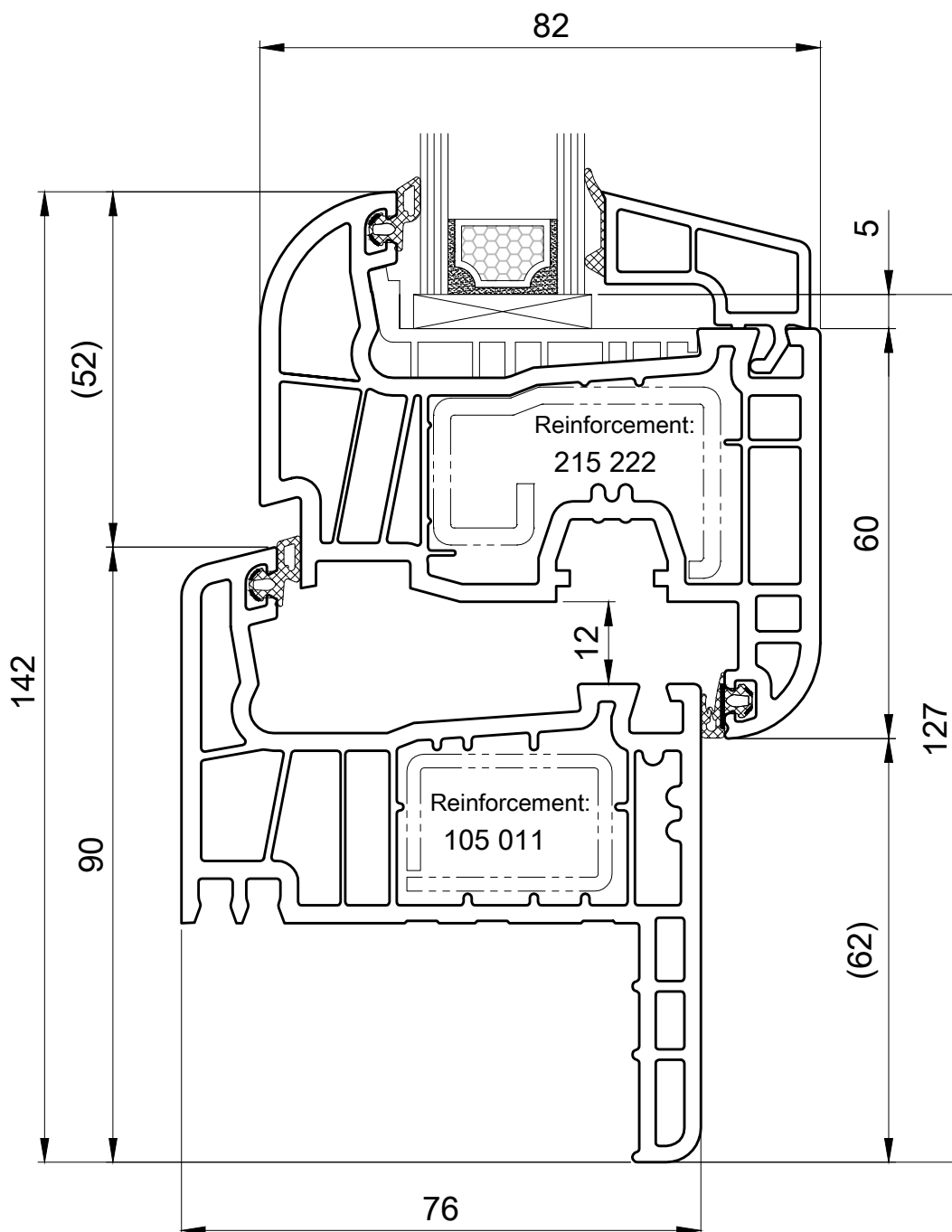


Frame / Casement

Frame
250 154

Casement
251 222

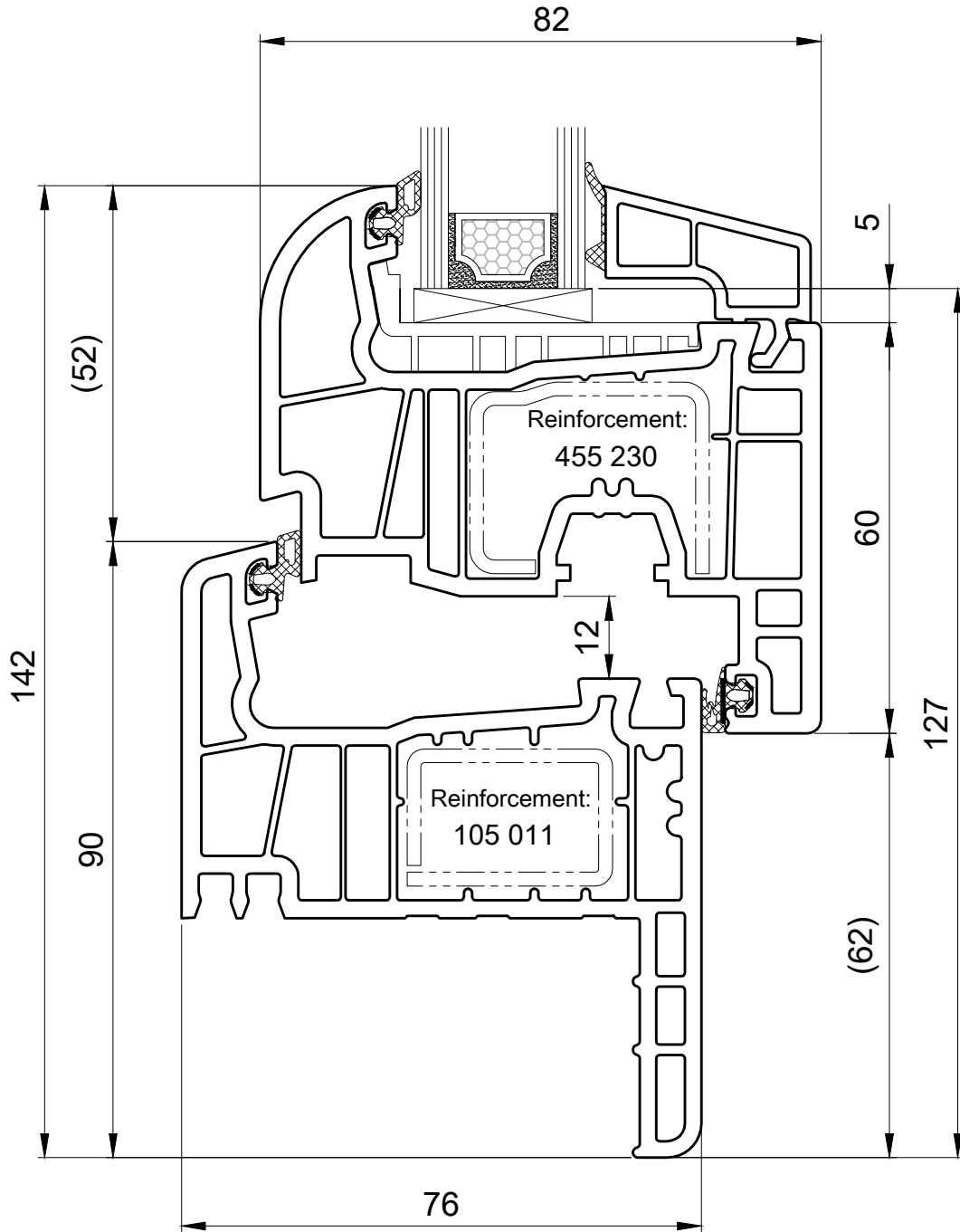
ST 04
01.41



Frame
250 154

Casement
251 226

ST 04
01.42

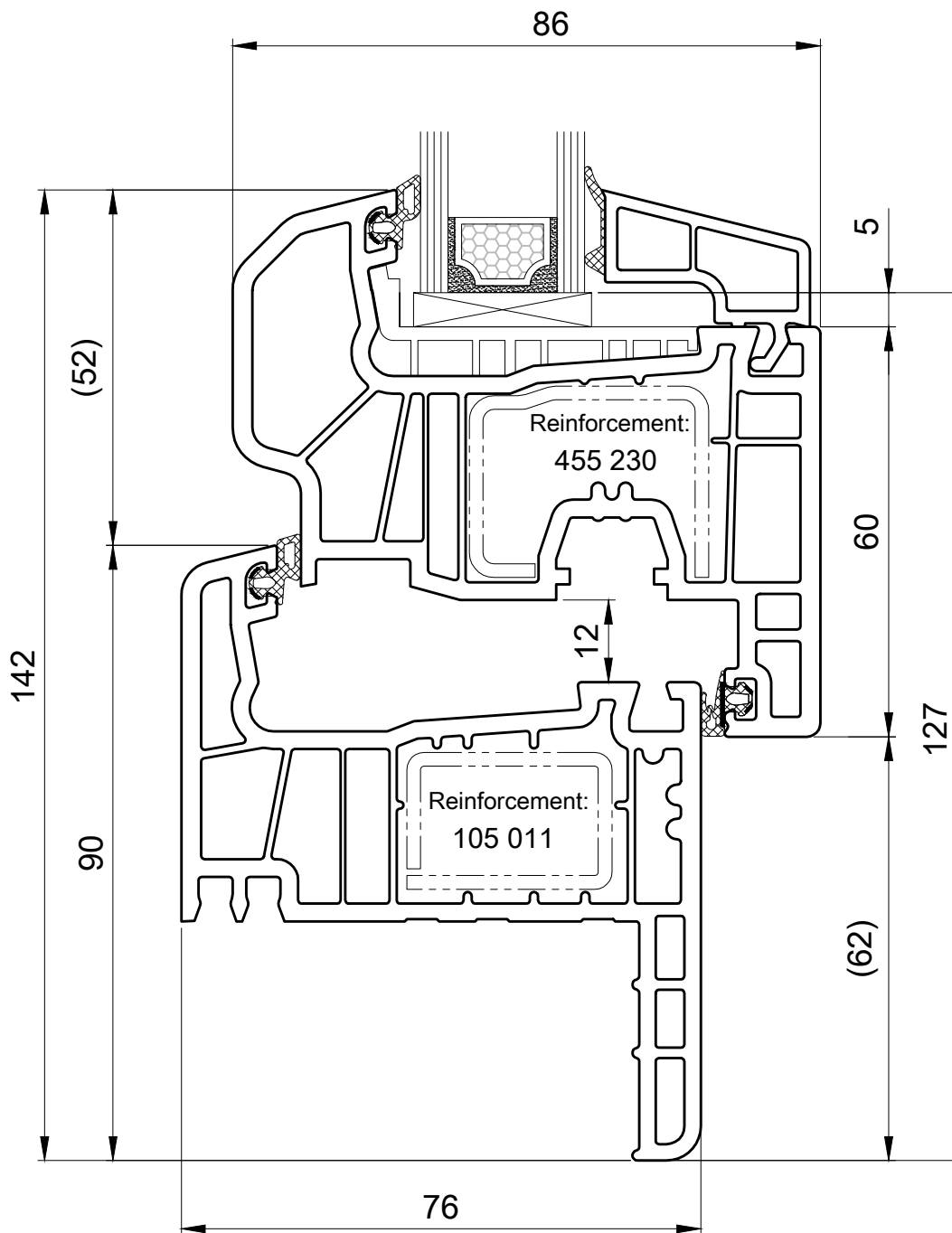


Frame / Casement

Frame
250 154

Casement
251 365

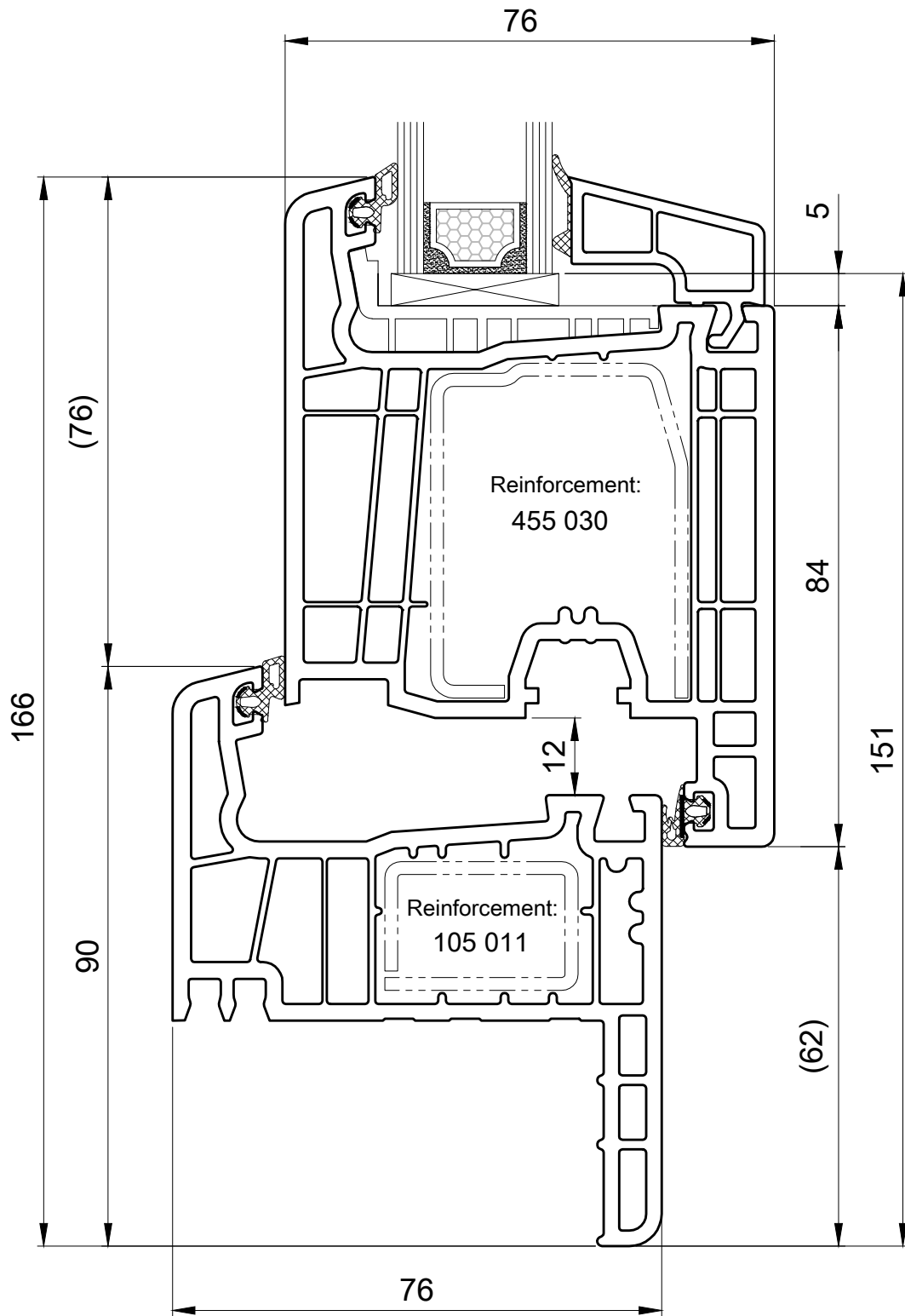
ST 04
01.43



Frame
250 154

Casement
251 030

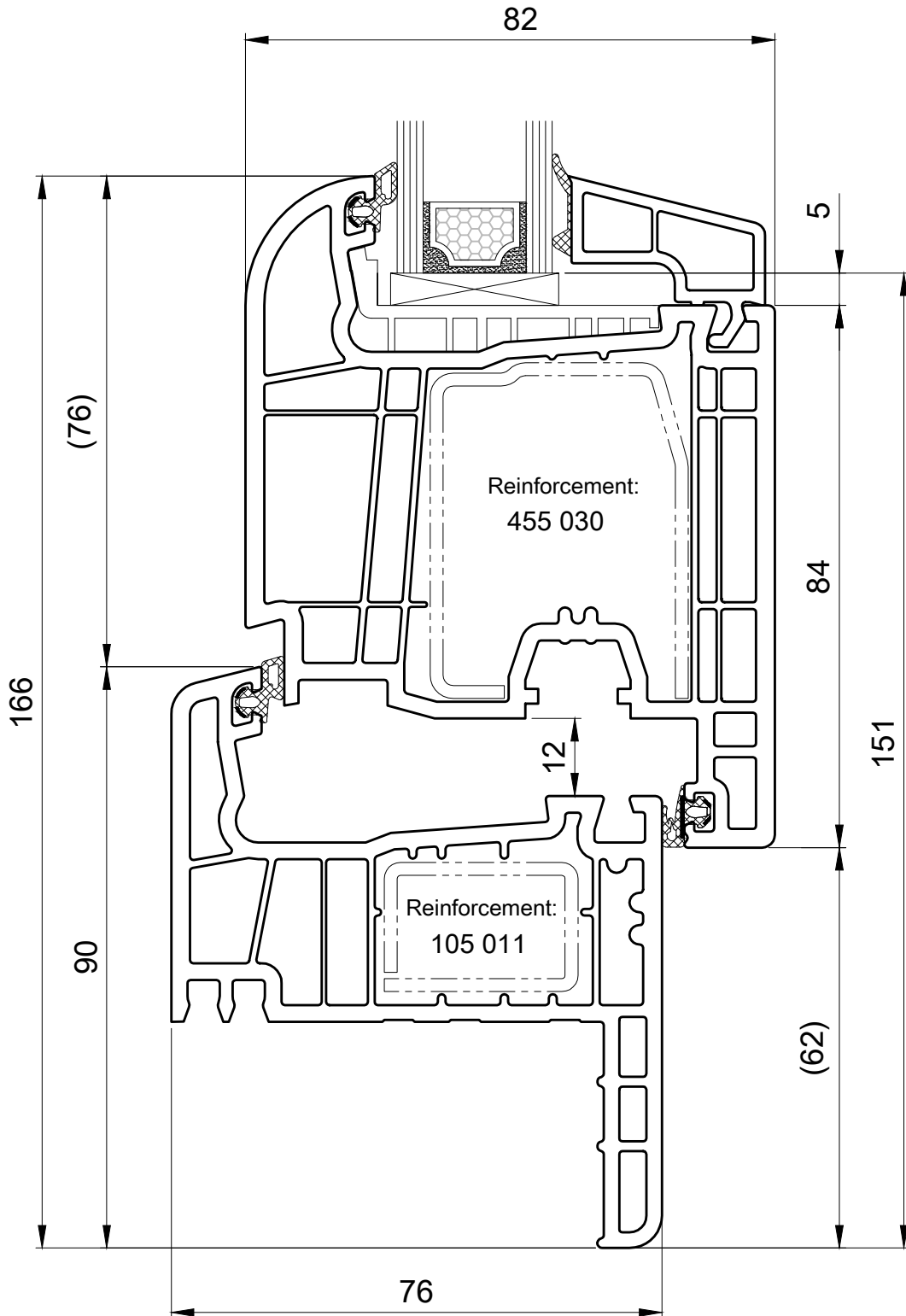
ST 04
01.44



Frame
250 154

Casement
251 236

ST 04
01.45

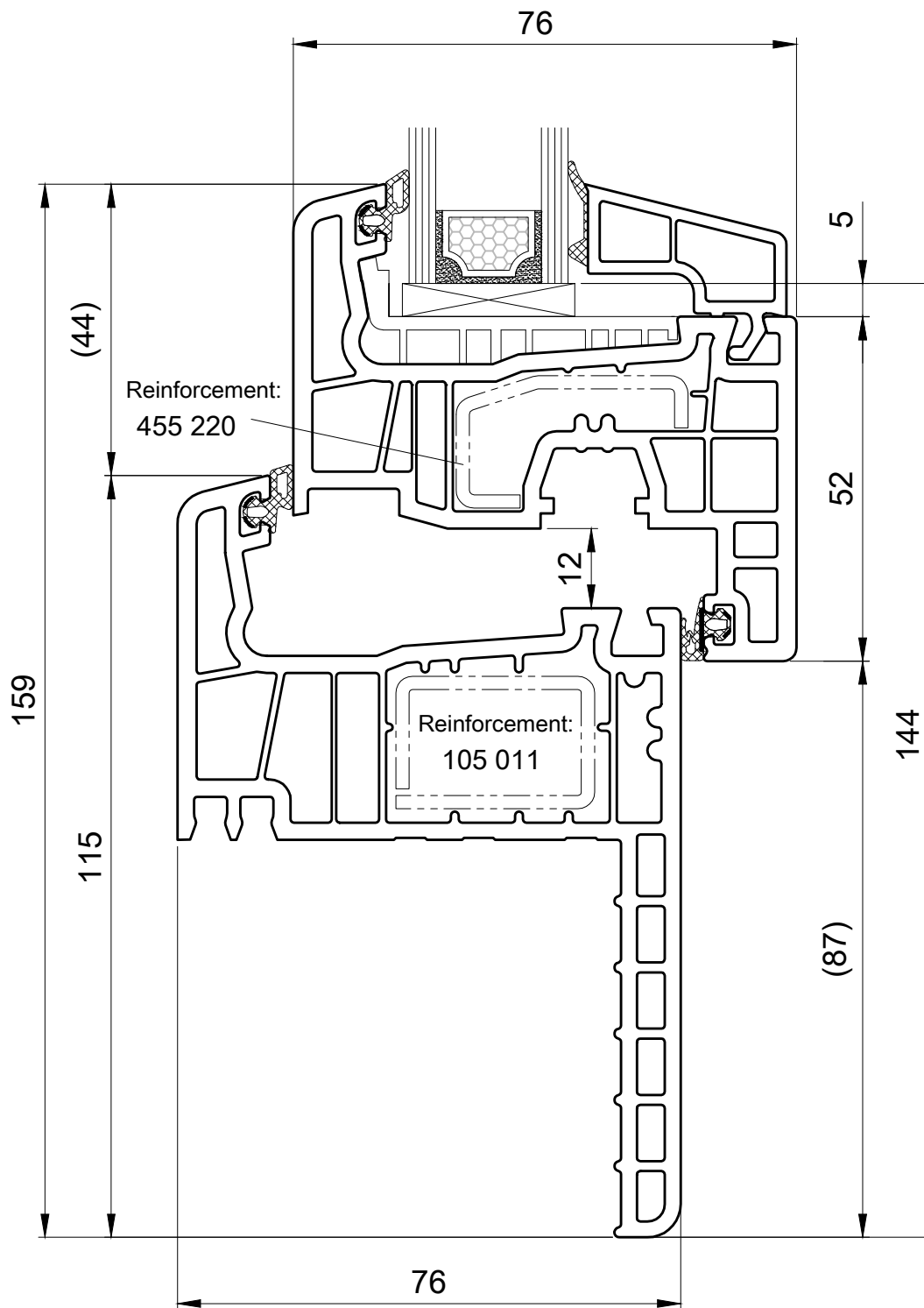


Frame / Casement

Frame
250 148

Casement
251 010

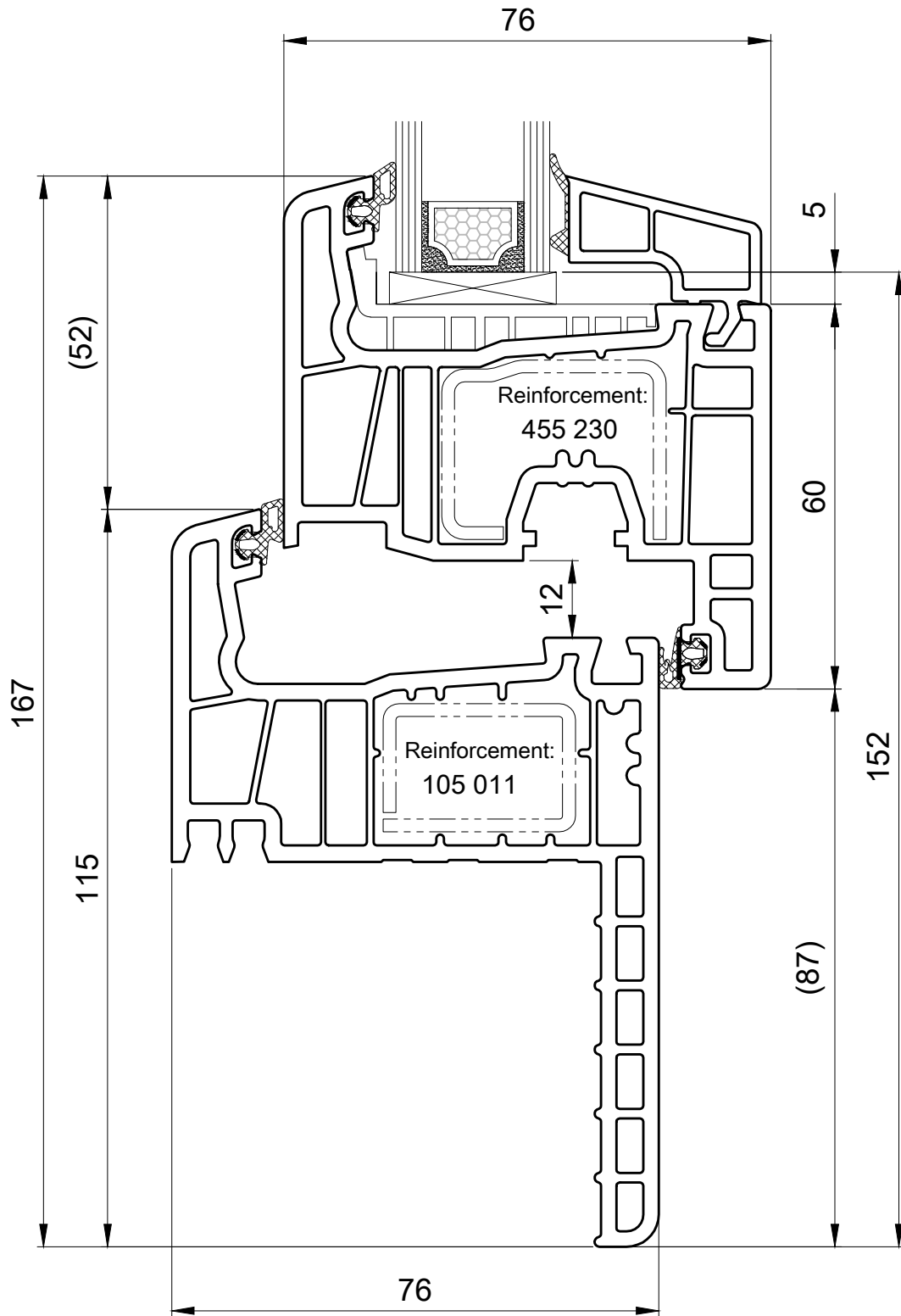
ST 04
01.46



Frame
250 148

Casement
251 020

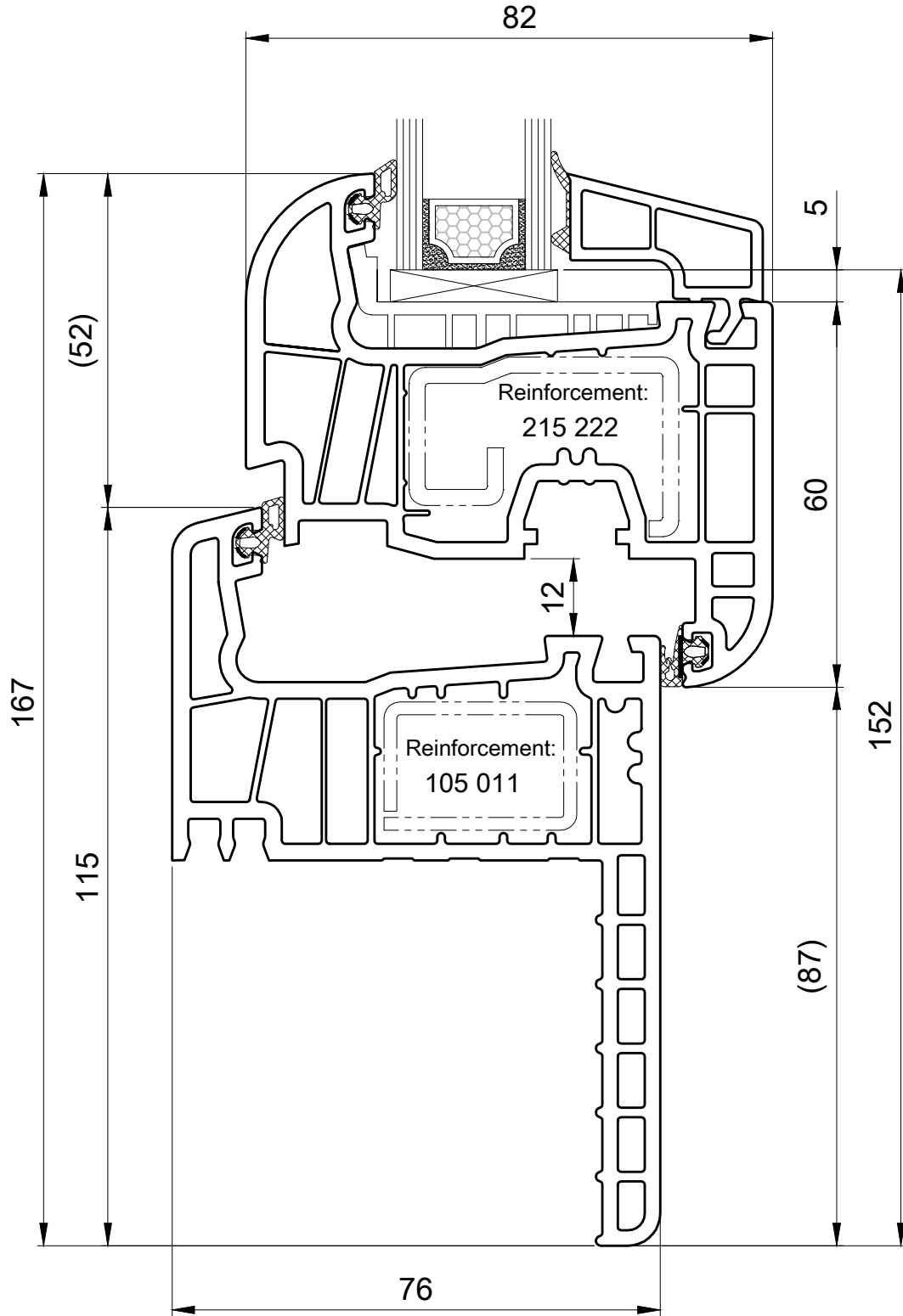
ST 04
01.47



Frame
250 148

Casement
251 222

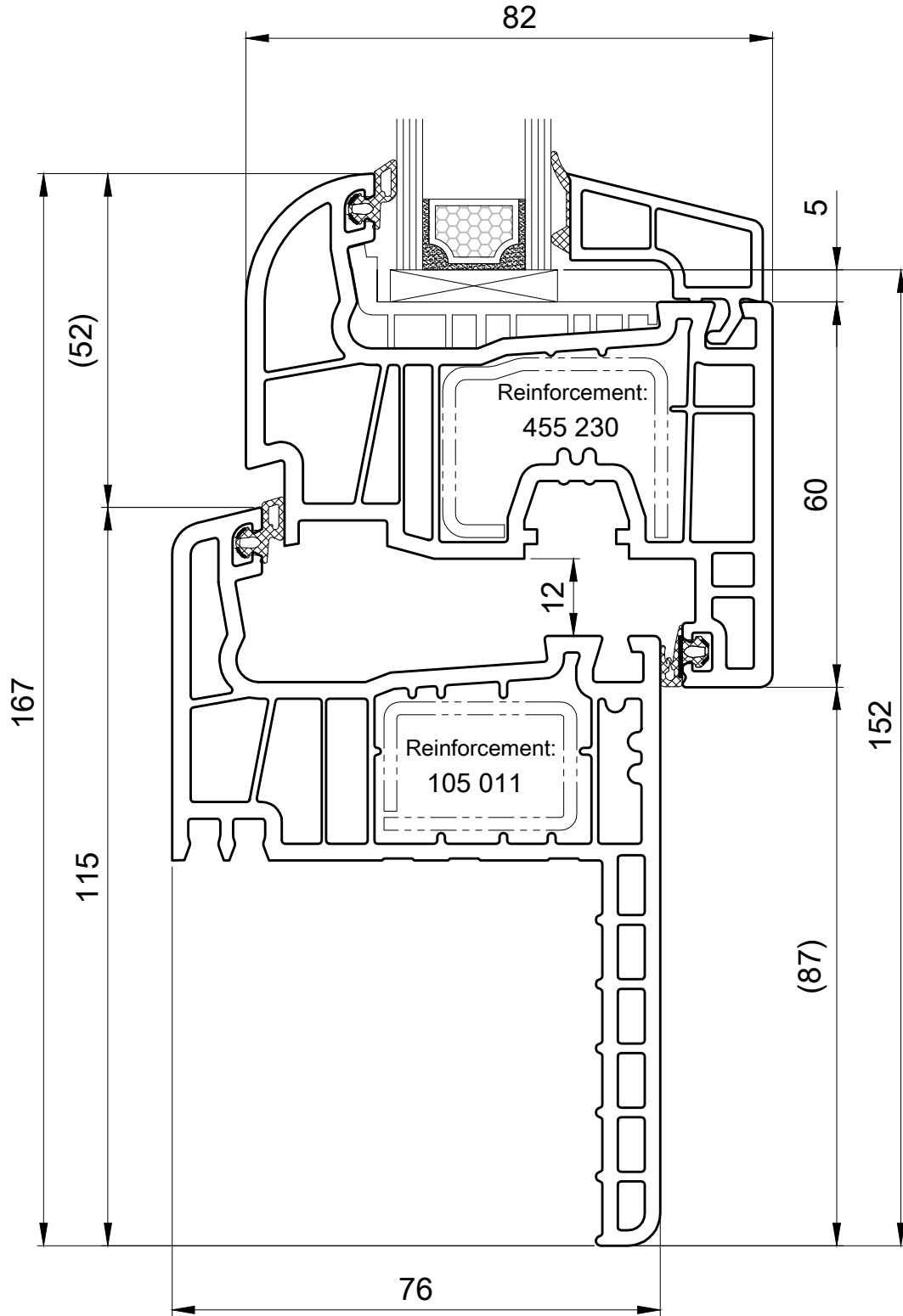
ST 04
01.48



Frame
250 148

Casement
251 226

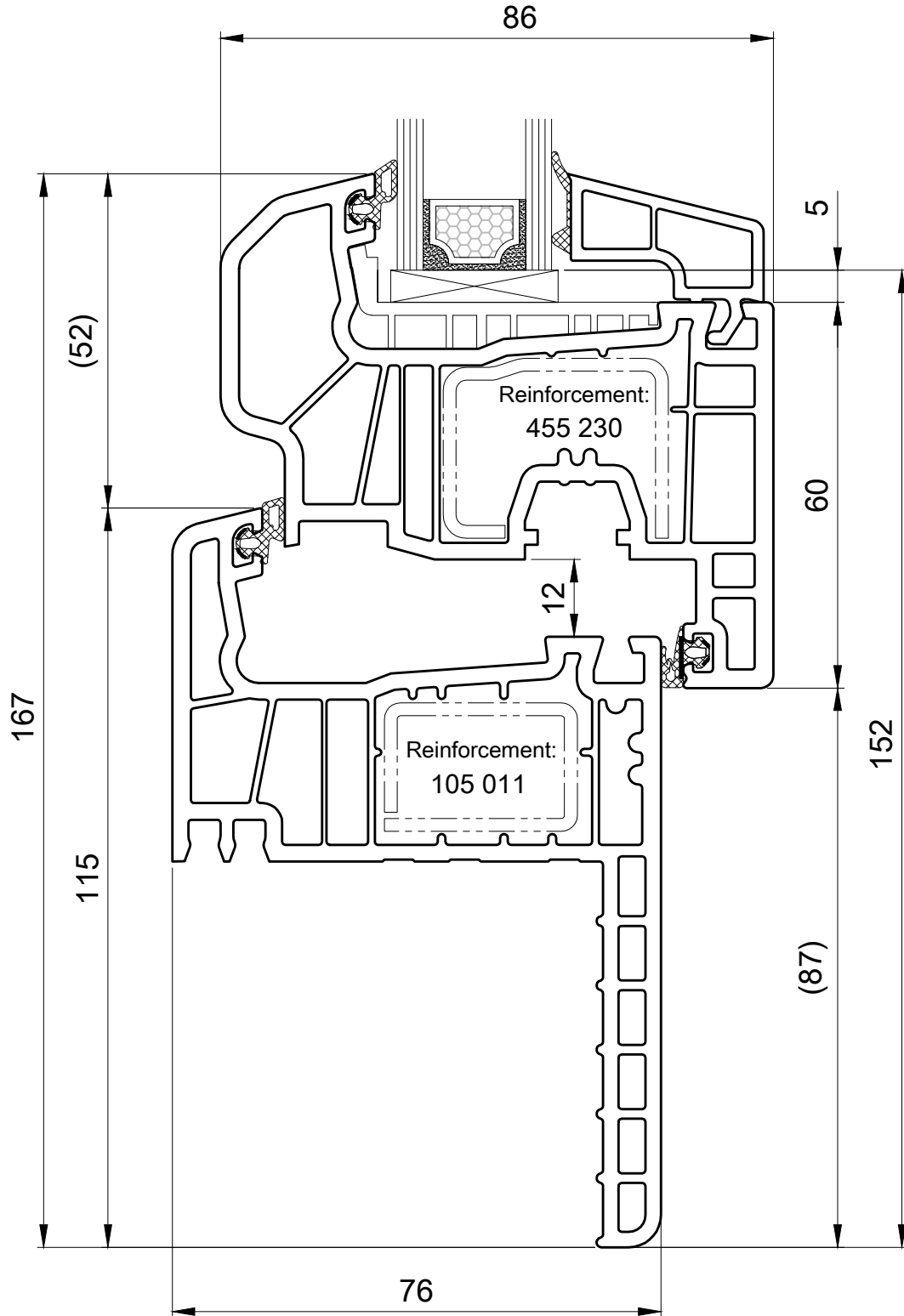
ST 04
01.49



Frame
250 148

Casement
251 365

ST 04
01.50

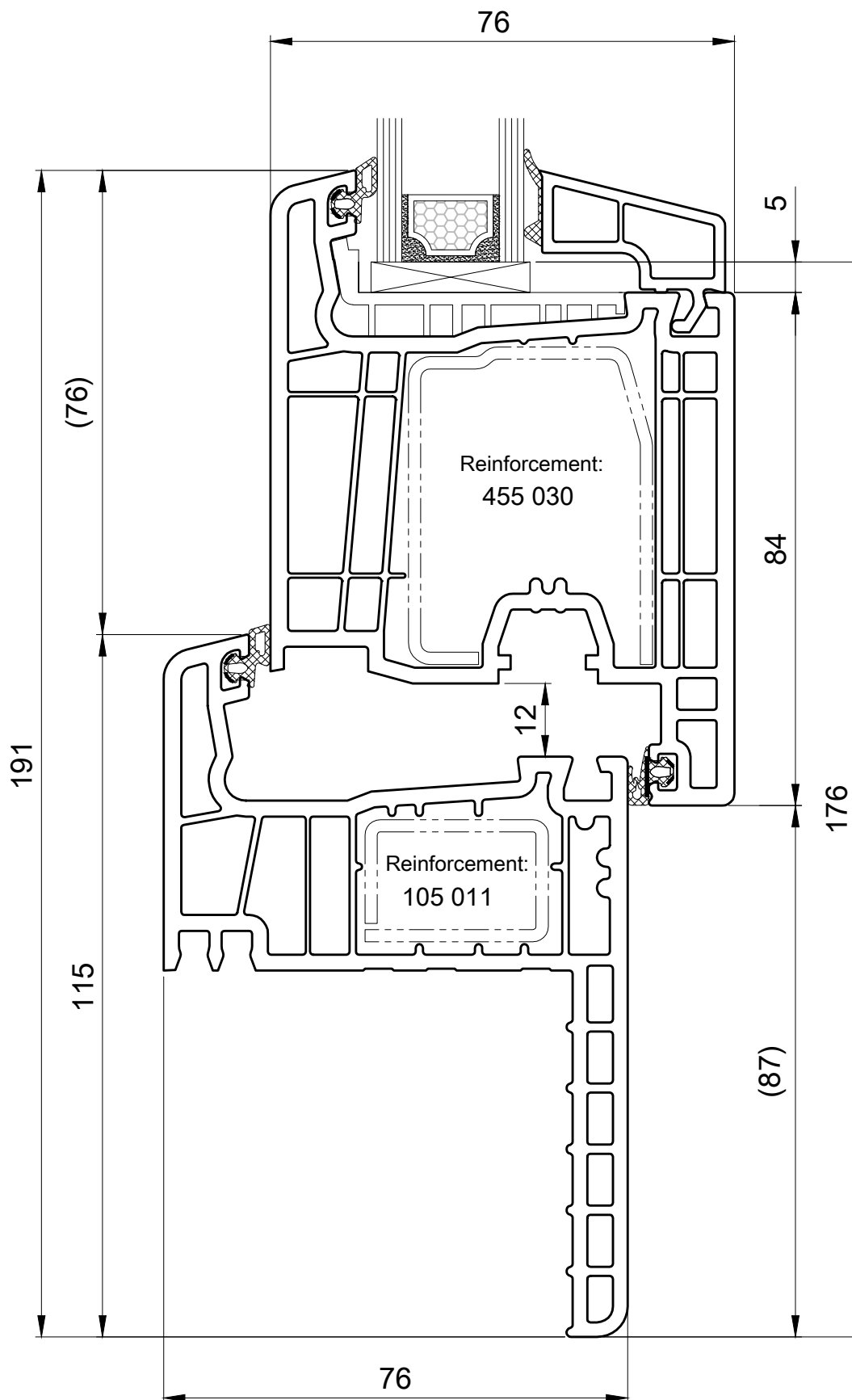


Frame / Casement

Frame
250 148

Casement
251 030

ST 04
01.51

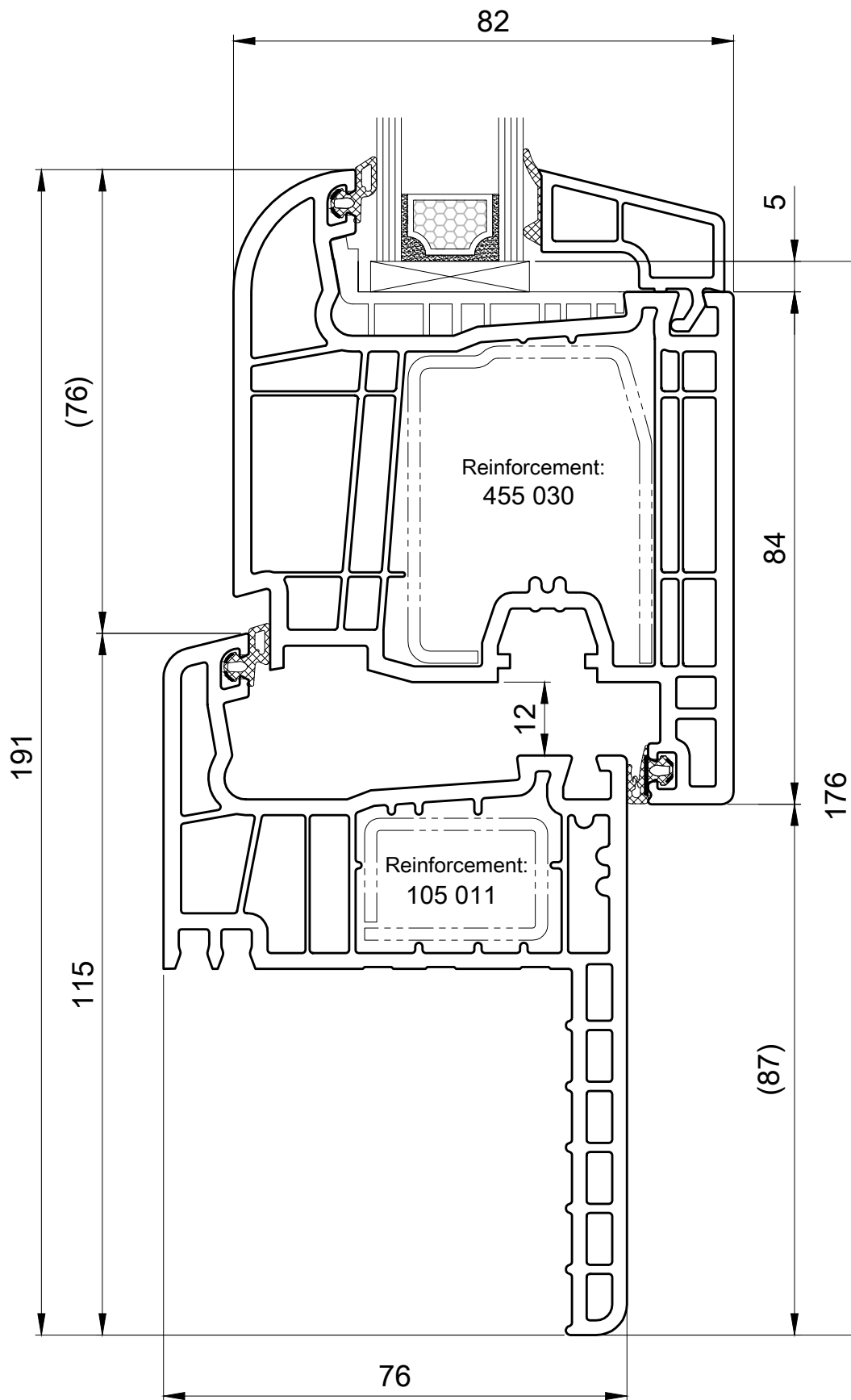


Frame / Casement

Frame
250 148

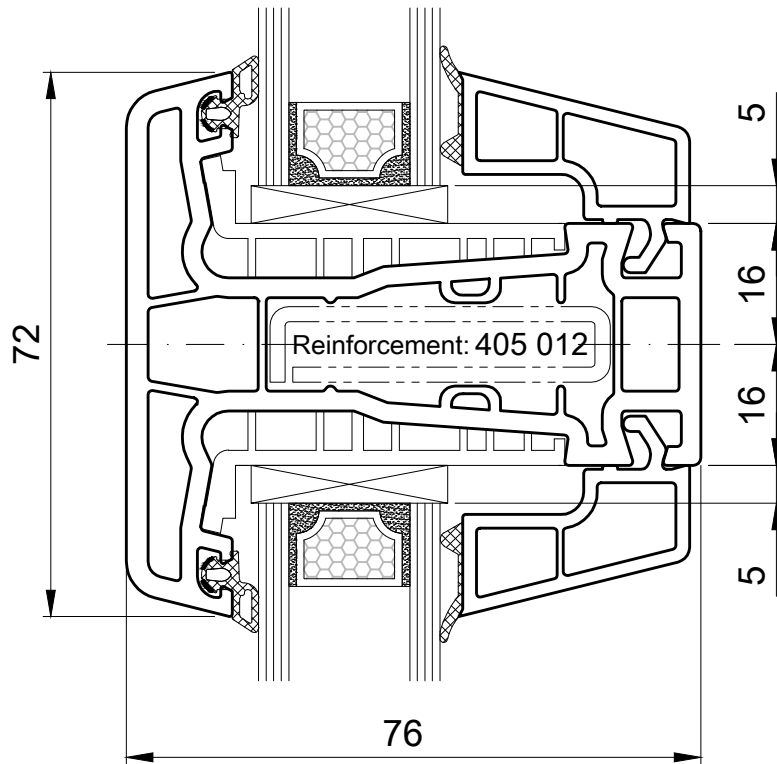
Casement
251 236

ST 04
01.52



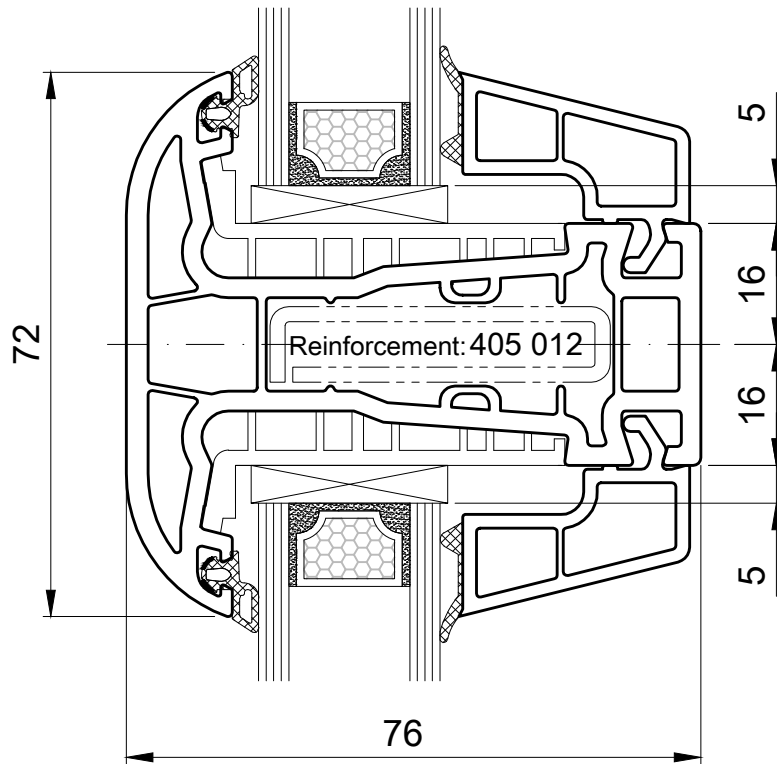
Muntin
252 110

ST 04
02.1



Muntin
212 210

ST 04
02.2

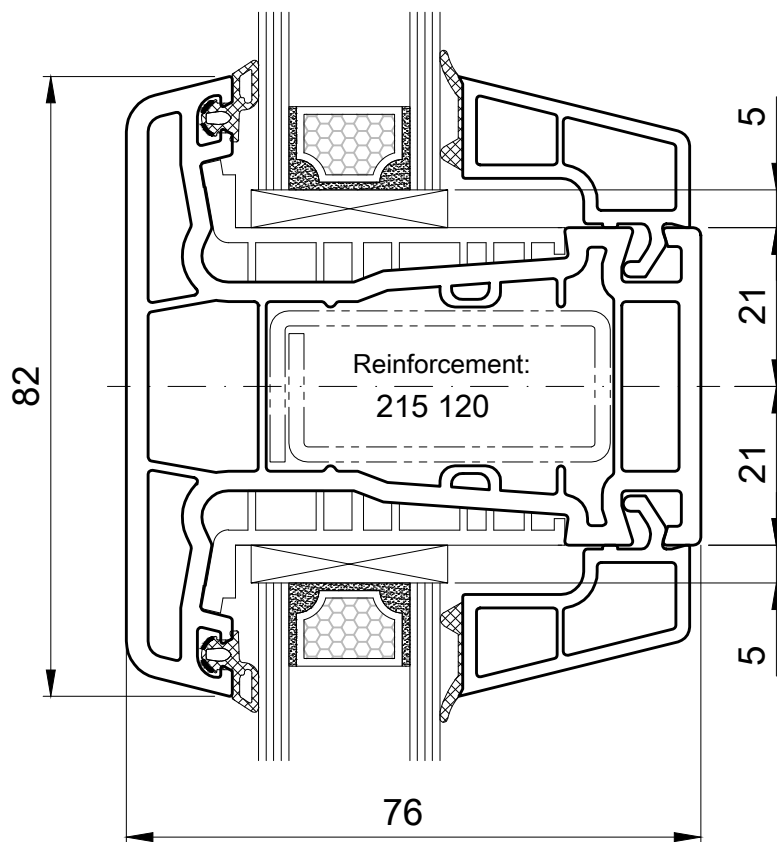


Post / Muntin

252 120

ST 04

02.3

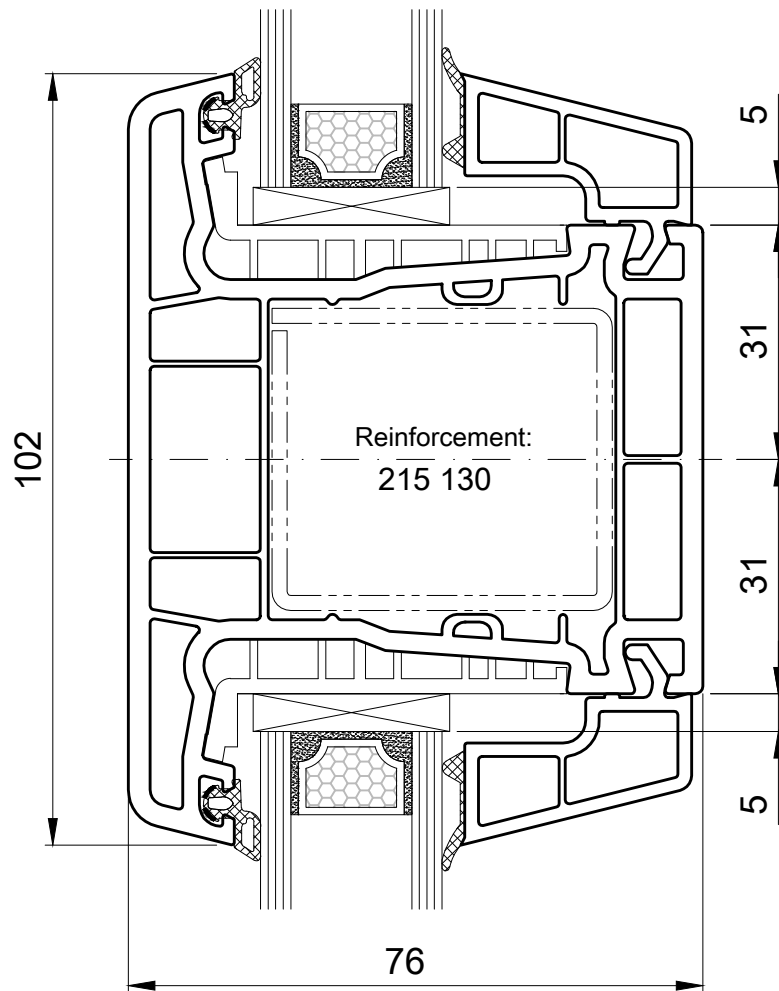


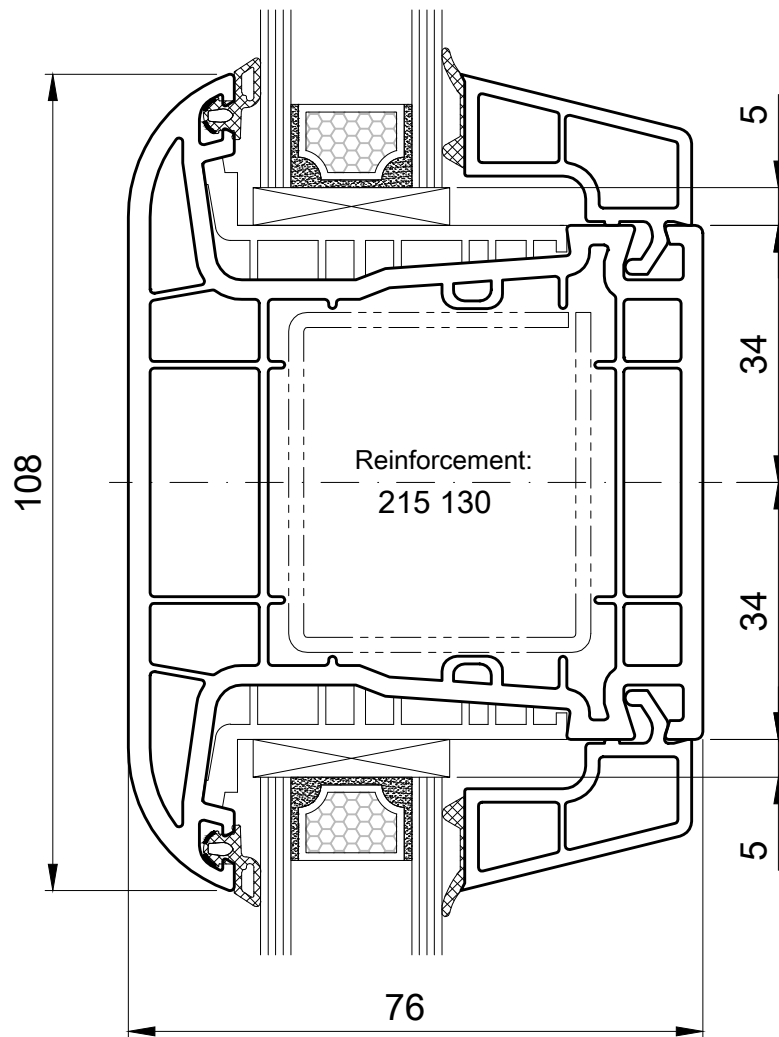
Post / Muntin

252 130

ST 04

02.4



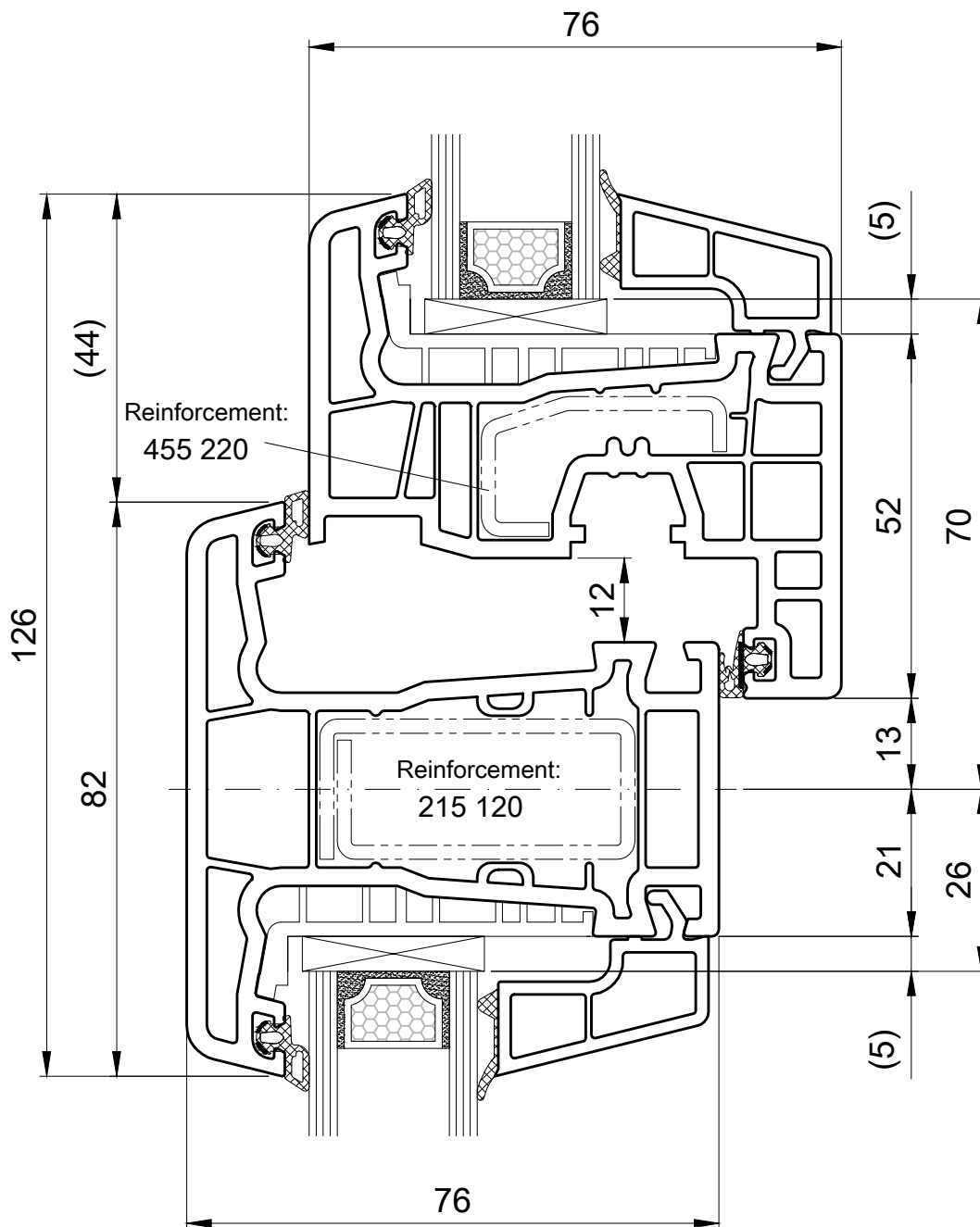


Fixed glazing - Post / Casement System Salamander: Streamline

Post
252 120

Casement
251 010

ST 04
02.6

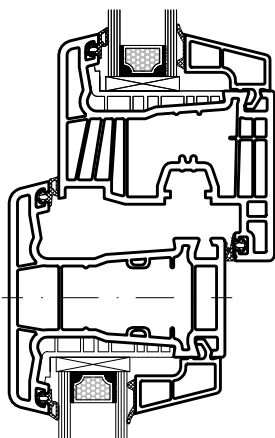
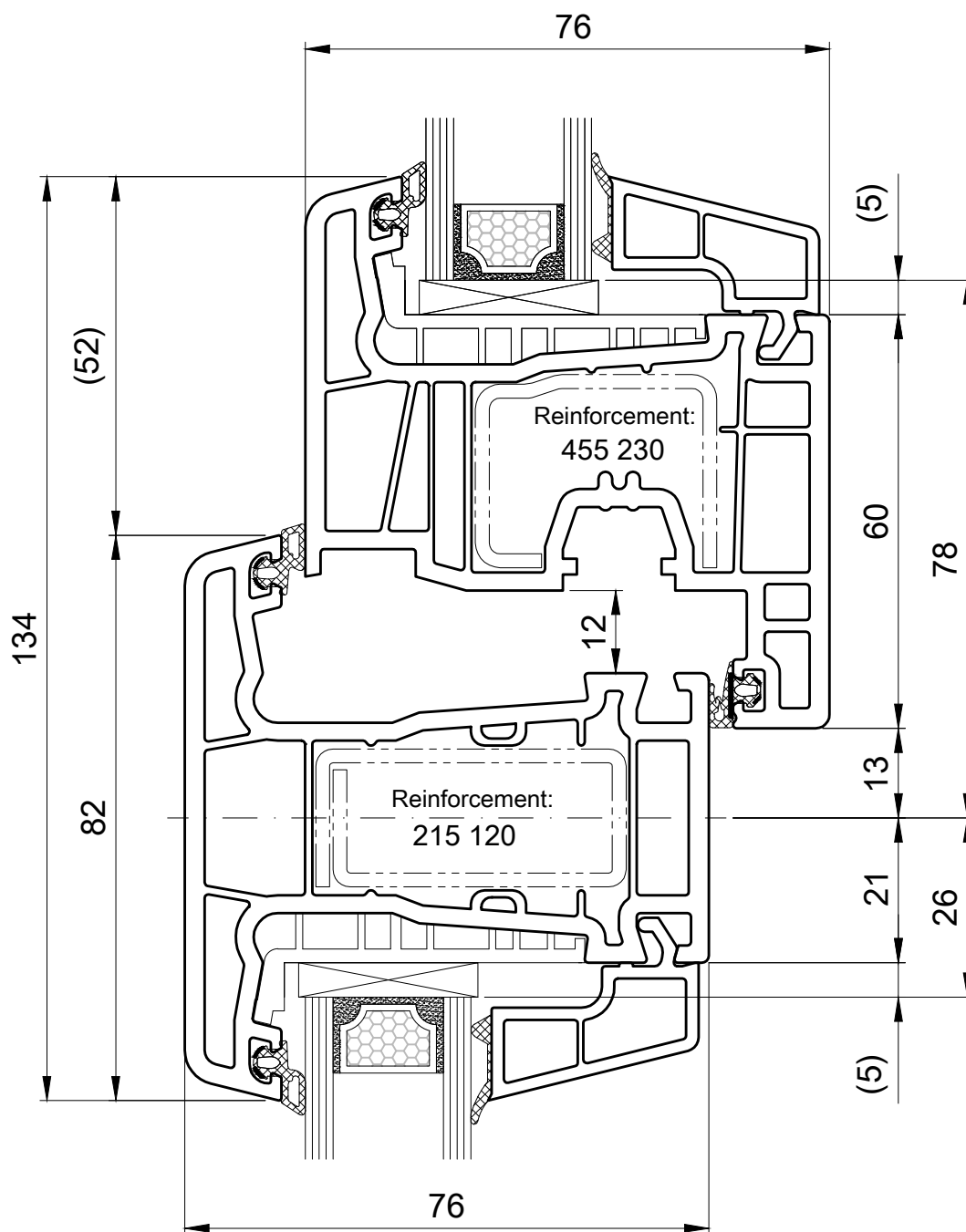


Fixed glazing - Post / Casement System Salamander: Streamline

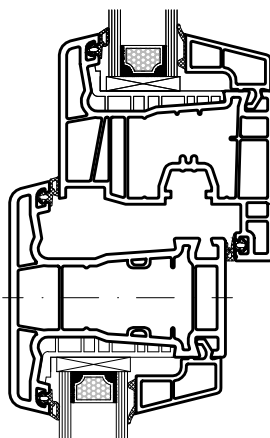
Post
252 120

Casement
251 020, 251 027, 251 024

ST 04
02.7



251 027 (7- chamber)



251 024 (EuroB)

Scale 1:1 (not to scale) (or depending on print-out)

Issue: 01/2012

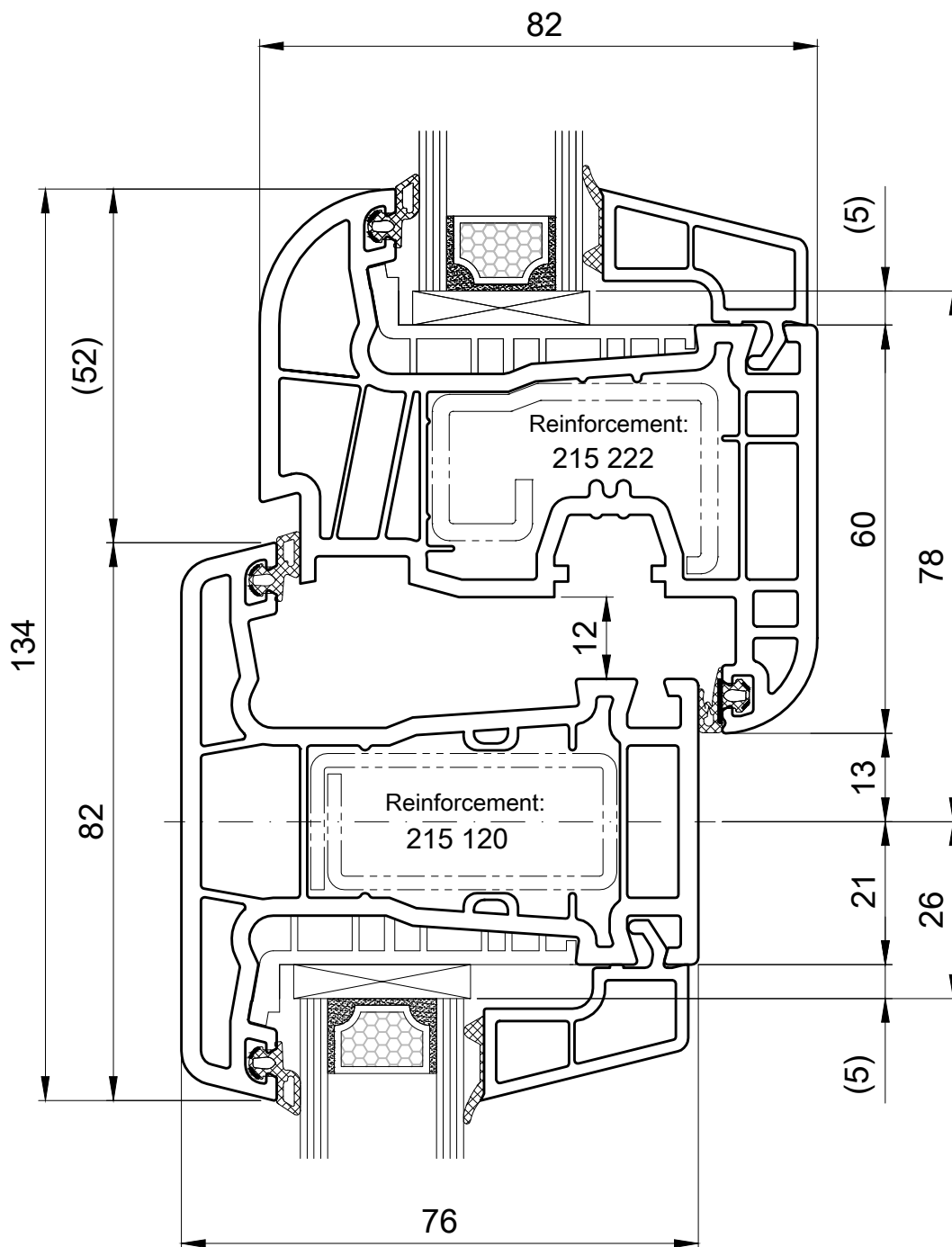
SALAMANDER
INDUSTRIEPRODUKTE

Fixed glazing - Post / Casement System Salamander: Streamline

Post
252 120

Casement
251 222

ST 04
02.8

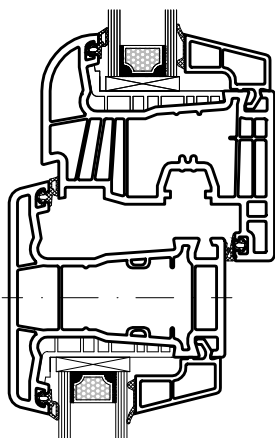
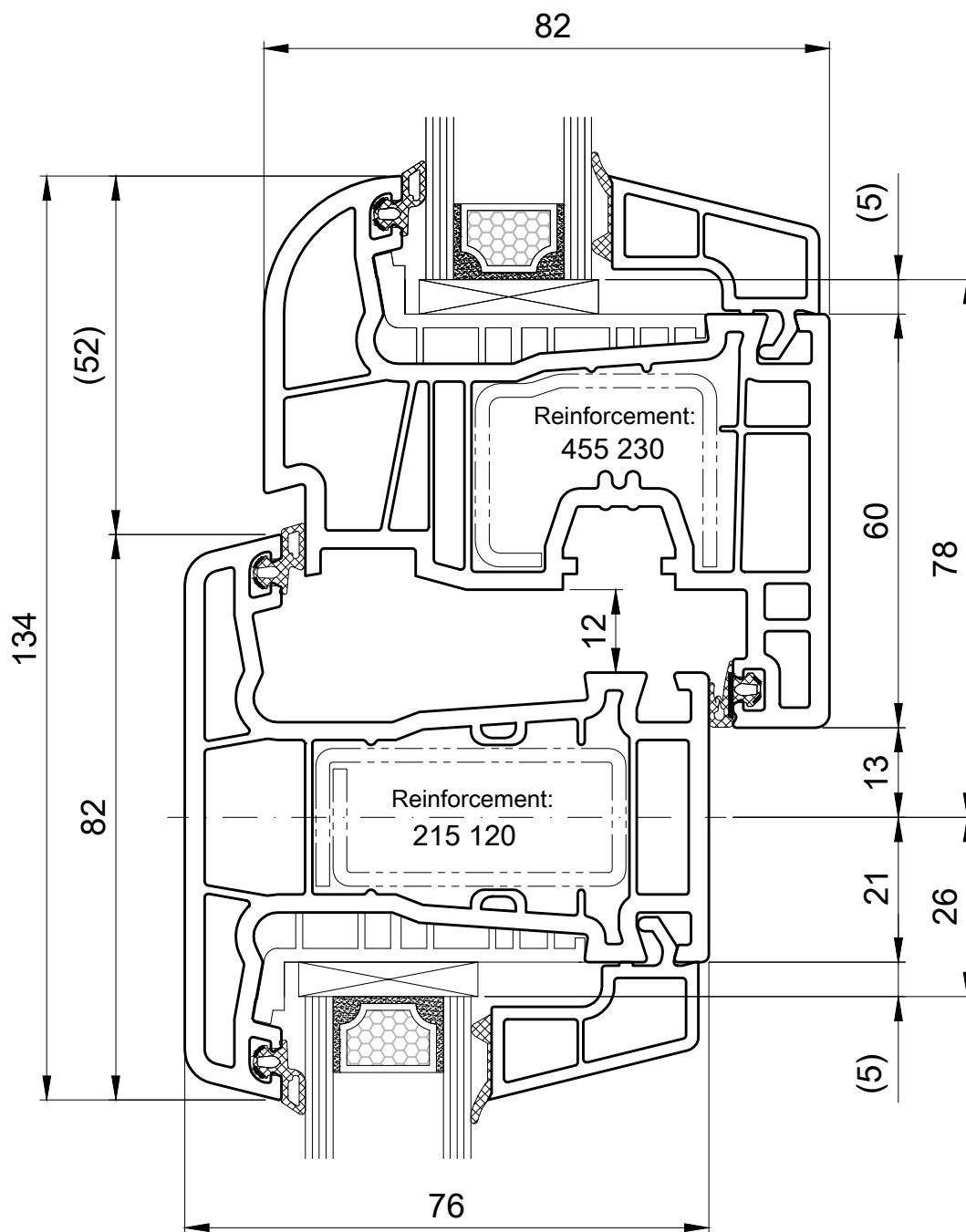


Fixed glazing - Post / Casement System Salamander: Streamline

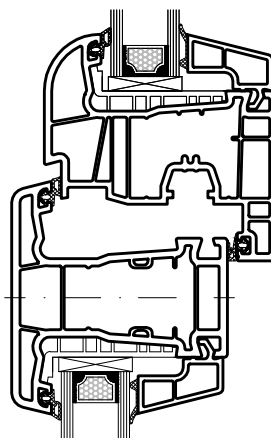
Post
252 120

Casement
251 226, 251 227, 251 224

ST 04
02.9



251 227 (7- chamber)



251 224 (EuroB)

Scale 1:1 (not to scale) (or depending on print-out)

Issue: 01/2012

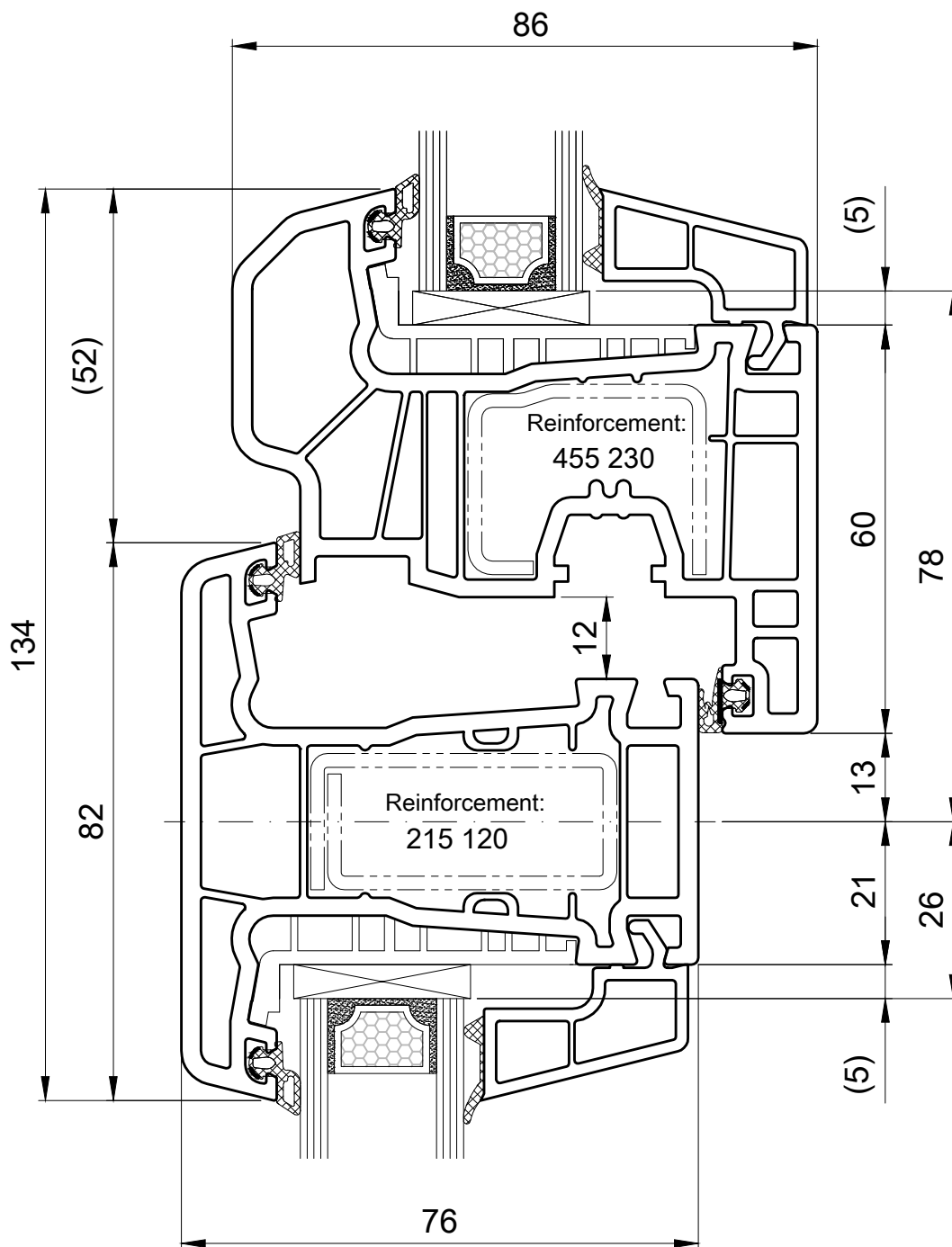
SALAMANDER
INDUSTRIEPRODUKTE

Fixed glazing - Post / Casement System Salamander: Streamline

Post
252 120

Casement
251 365

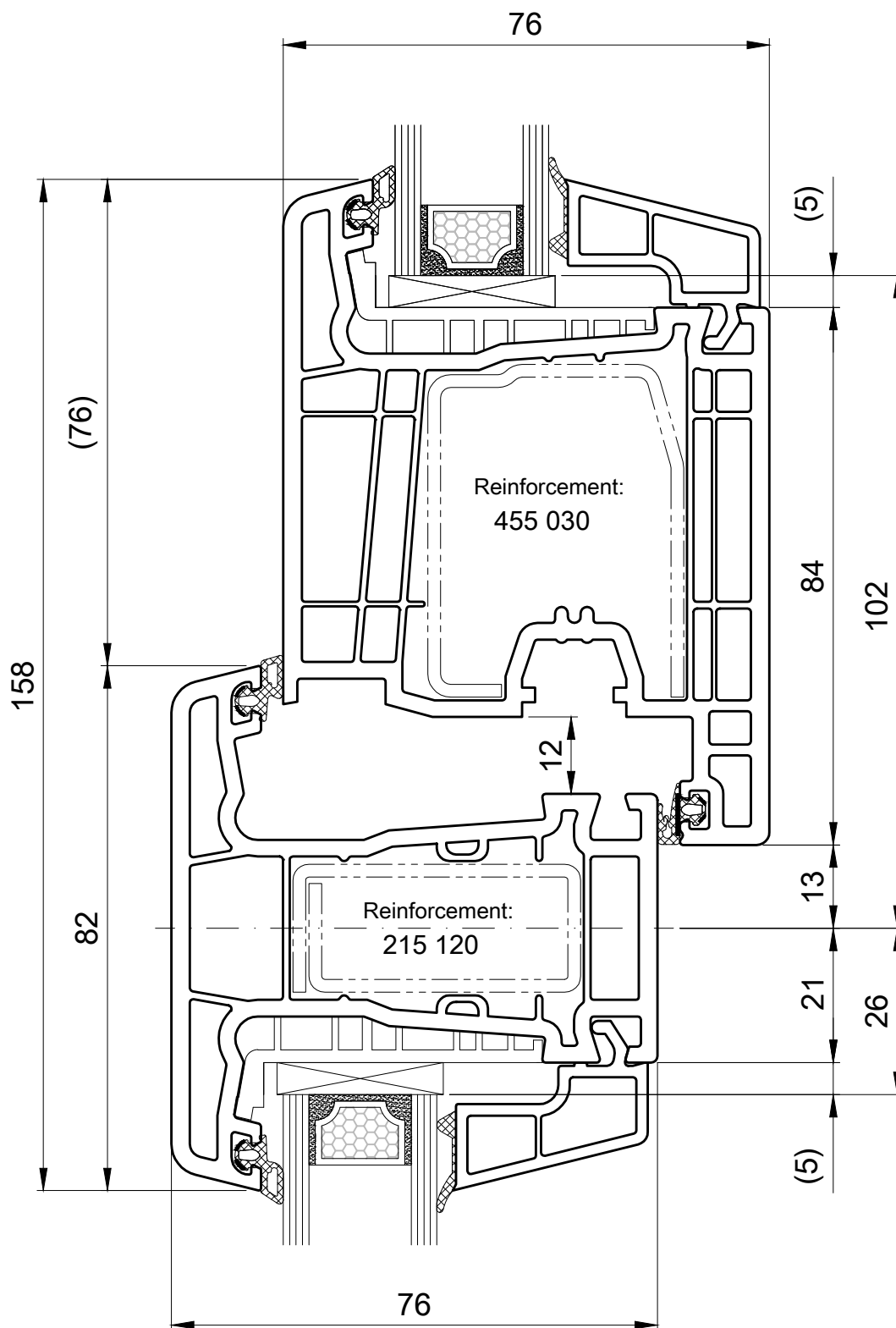
ST 04
02.10



Post
252 120

Casement
251 030

ST 04
02.11

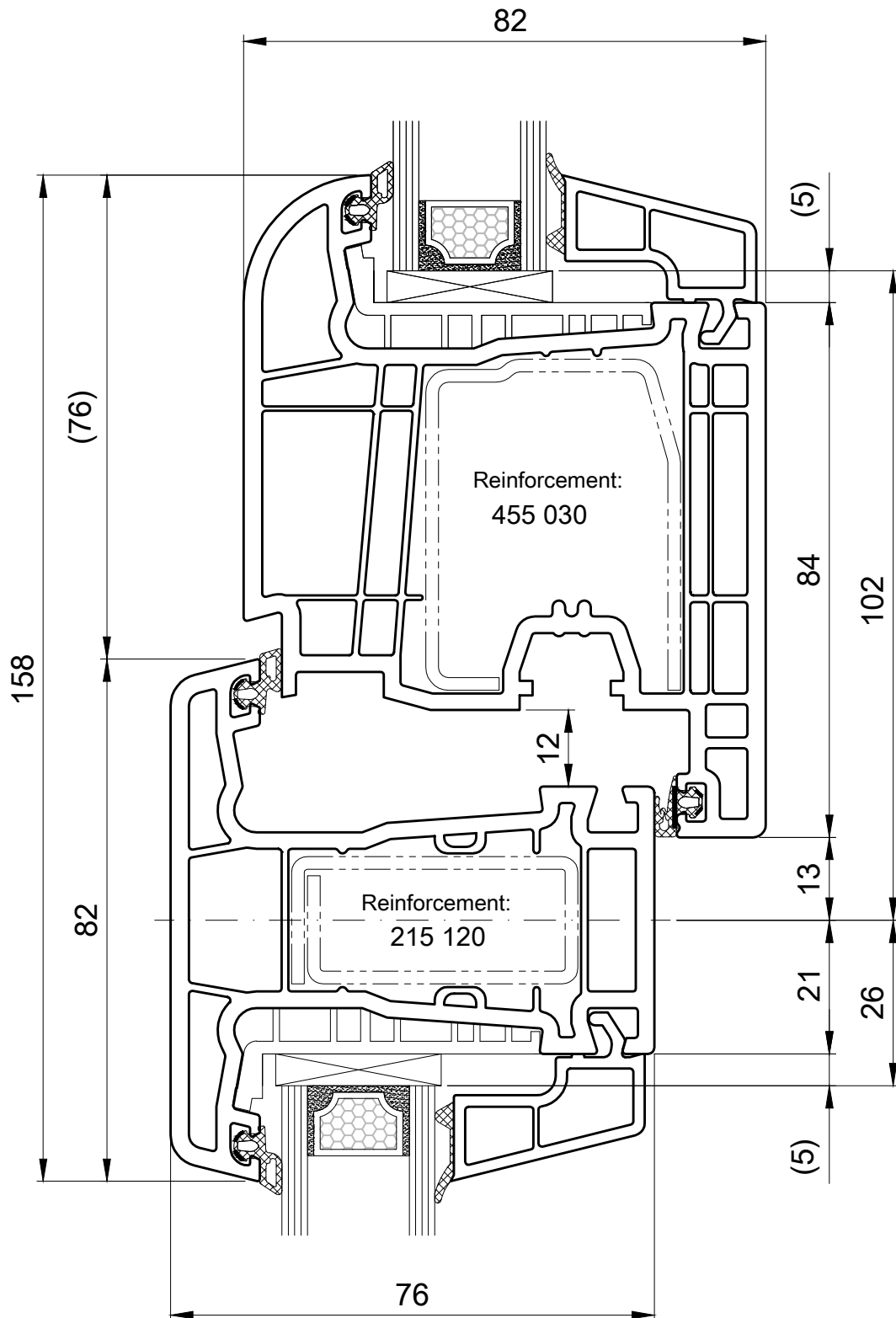


Fixed glazing - Post / Casement System Salamander: Streamline

Post
252 120

Casement
251 236

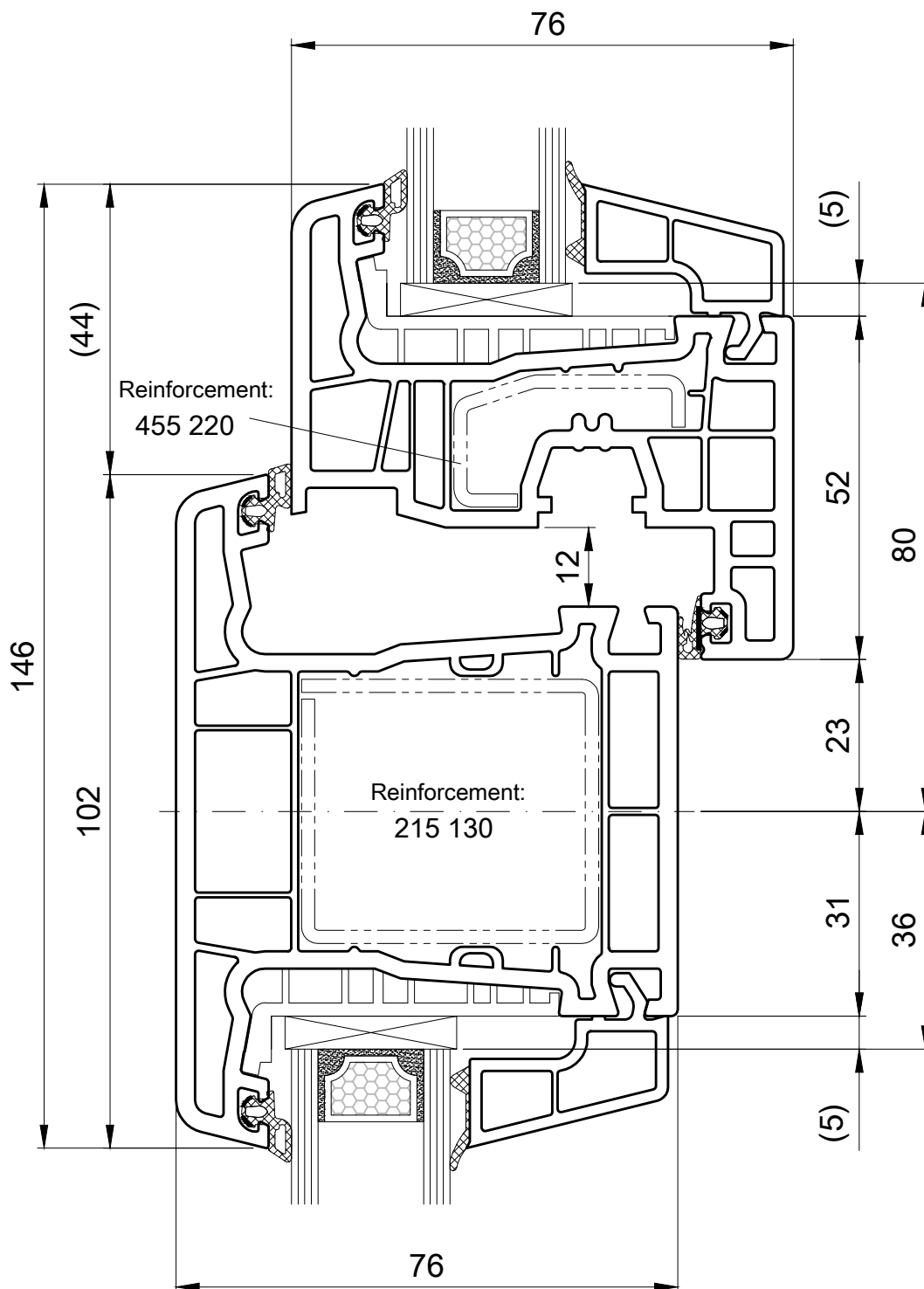
ST 04
02.12



Post
252 130

Casement
251 010

ST 04
02.13

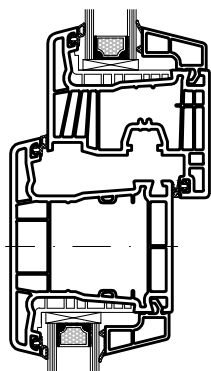
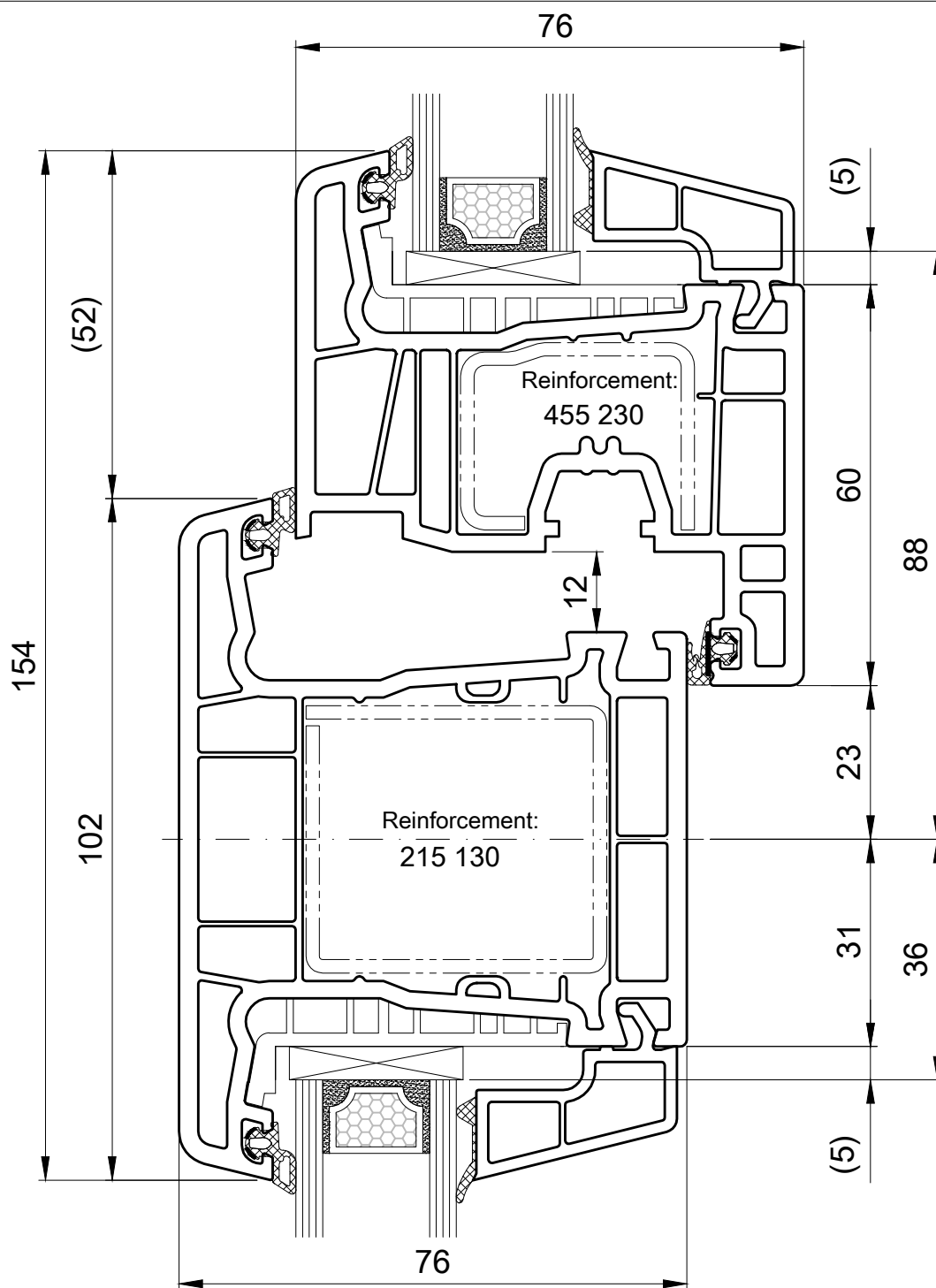


Fixed glazing - Post / Casement System Salamander: Streamline

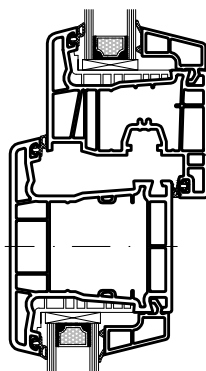
Post
252 130

Casement
251 020, 251 027, 251 024

ST 04
02.14



251 227 (7- chamber)



251 224 (EuroB)

Scale 1:1 (not to scale) (or depending on print-out)

Issue: 01/2012

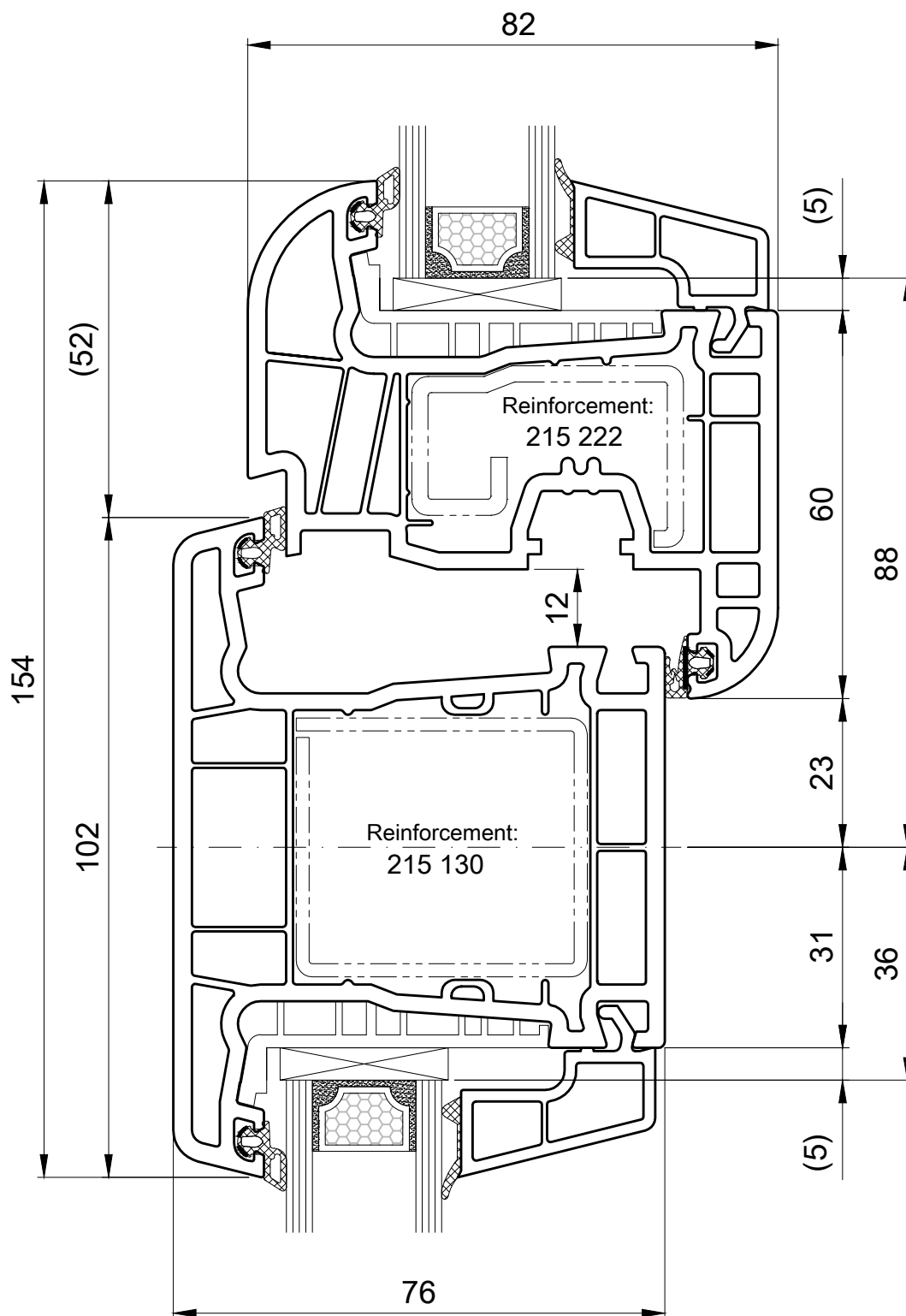
SALAMANDER
INDUSTRIEPRODUKTE

Fixed glazing - Post / Casement System Salamander: Streamline

Post
252 130

Casement
251 222

ST 04
02.15

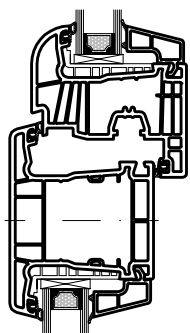
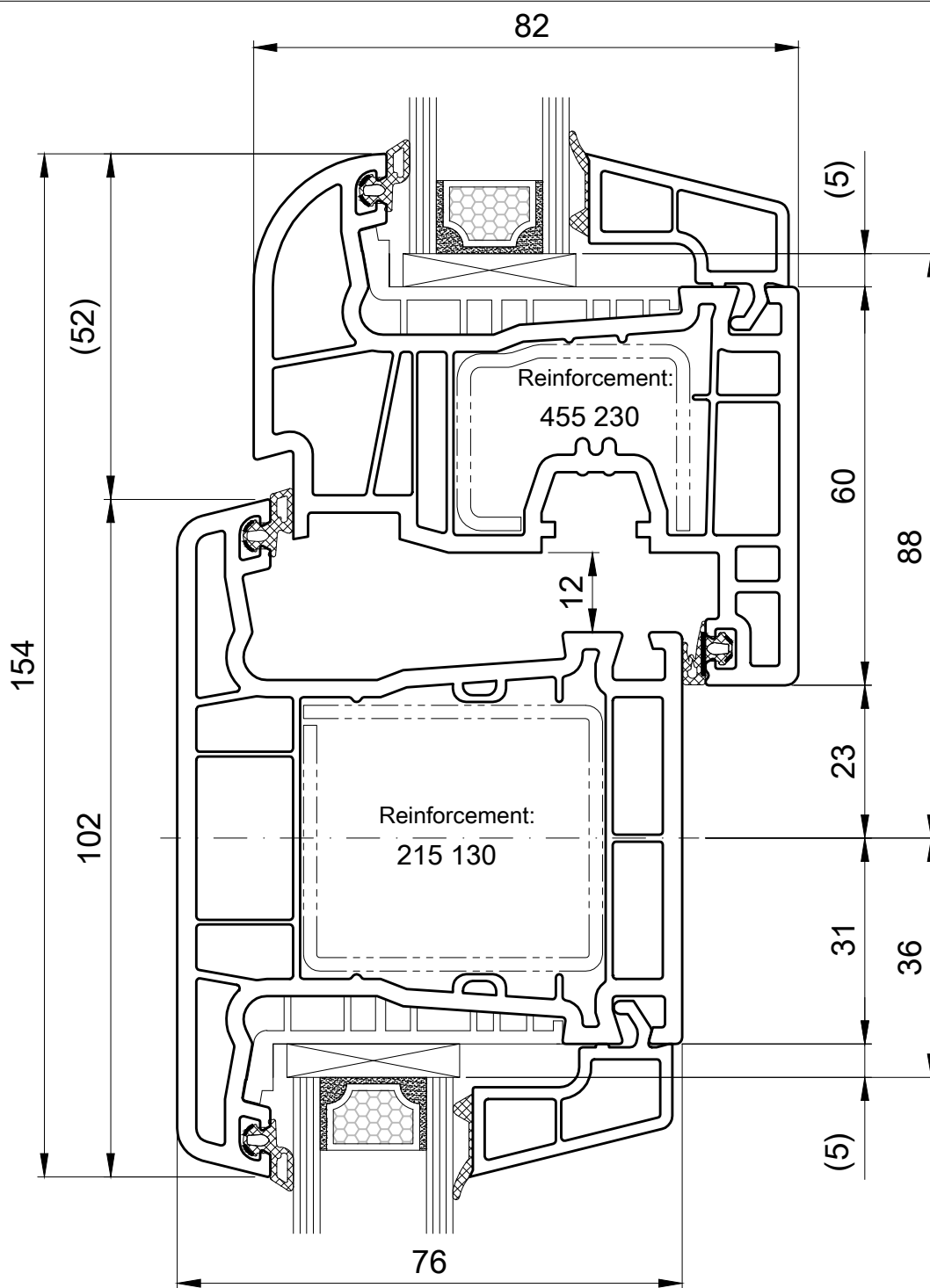


Fixed glazing - Post / Casement System Salamander: Streamline

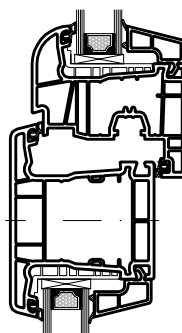
Post
252 130

Casement
251 226, 251 227, 251 224

ST 04
02.16



251 227 (7- chamber)



251 224 (EuroB)

Scale 1:1 (not to scale) (or depending on print-out)

Issue: 01/2012

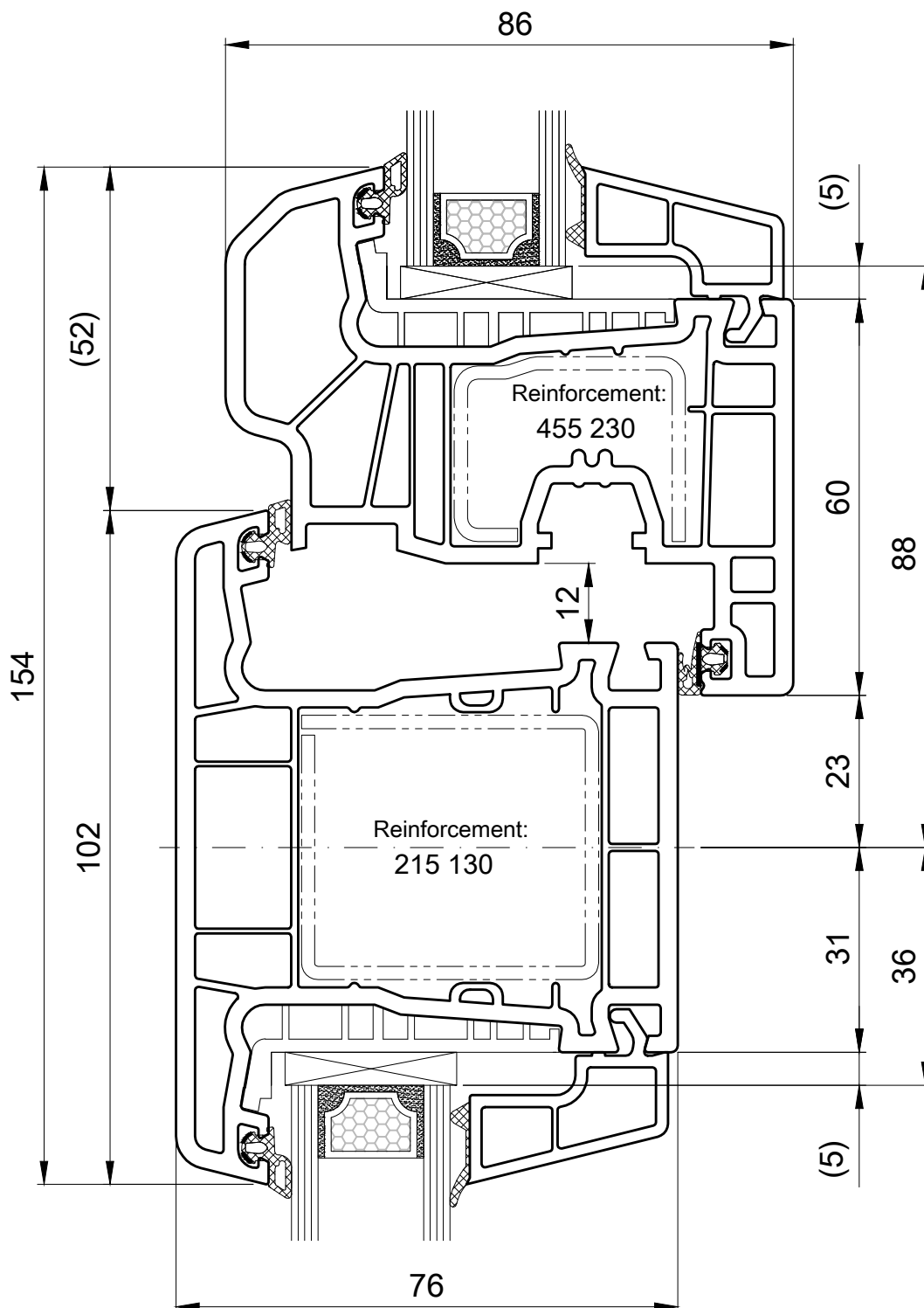
SALAMANDER
INDUSTRIEPRODUKTE

Fixed glazing - Post / Casement System Salamander: Streamline

Post
252 130

Casement
251 365

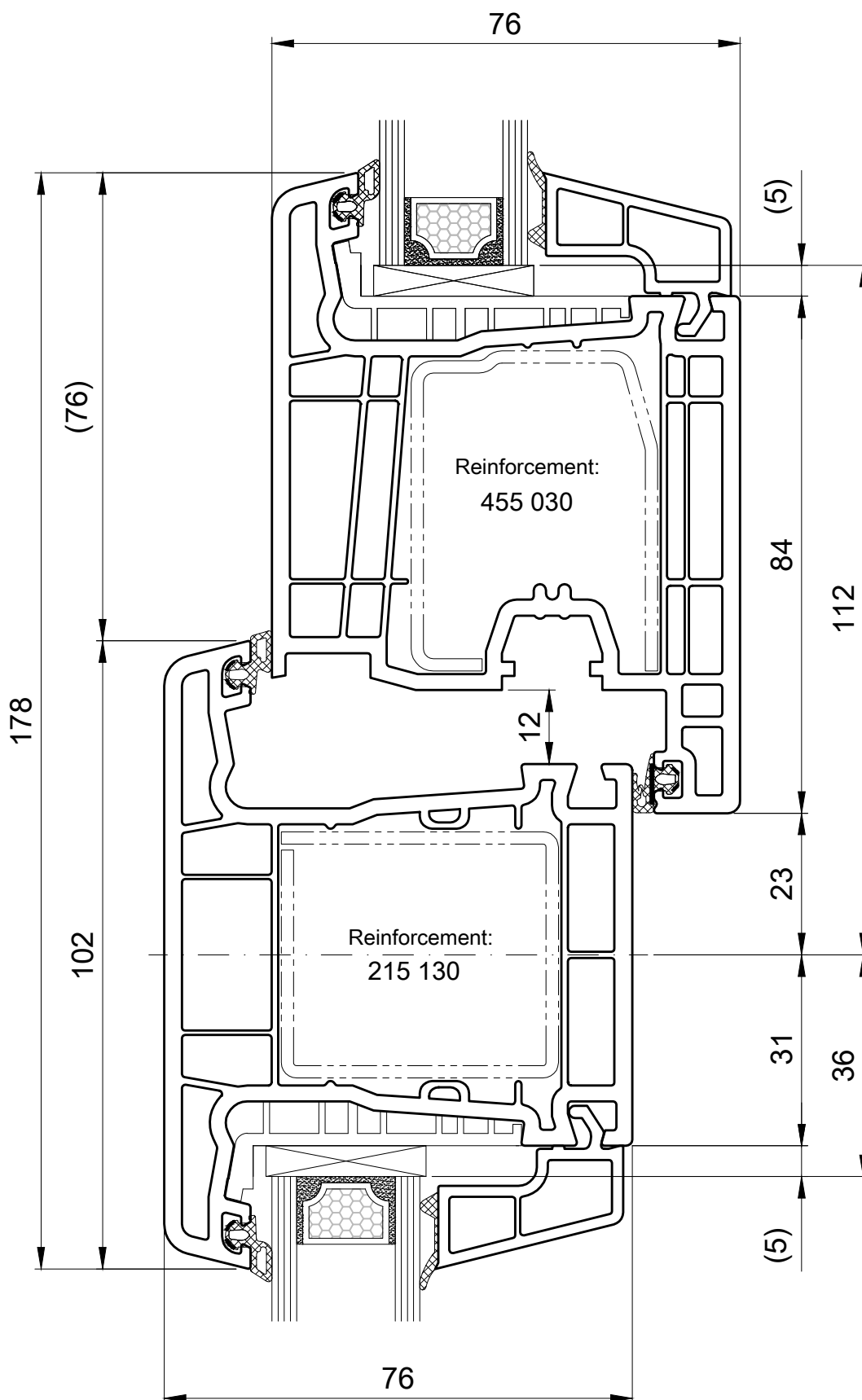
ST 04
02.17



Post
252 130

Casement
251 030

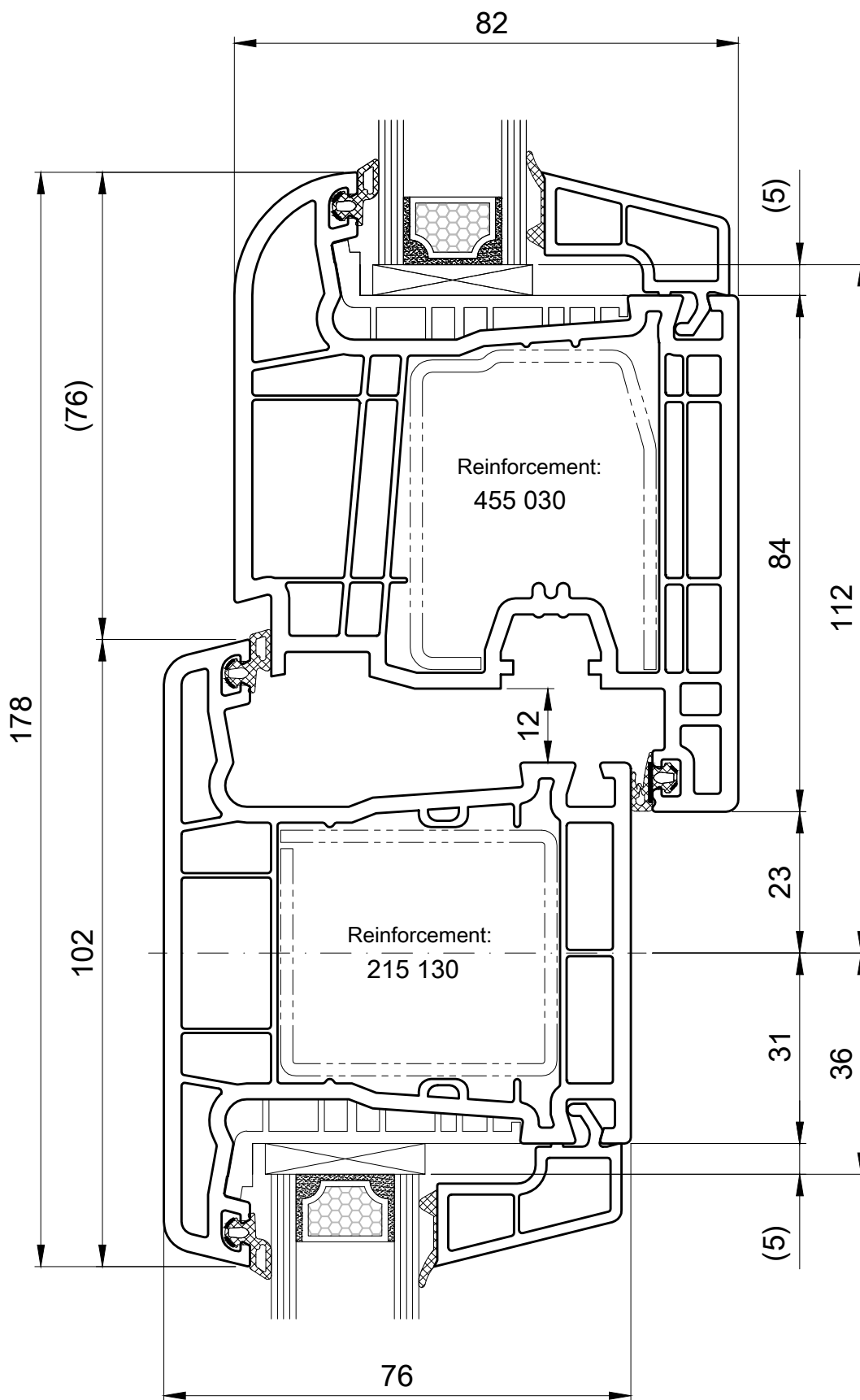
ST 04
02.18



Post
252 130

Casement
251 236

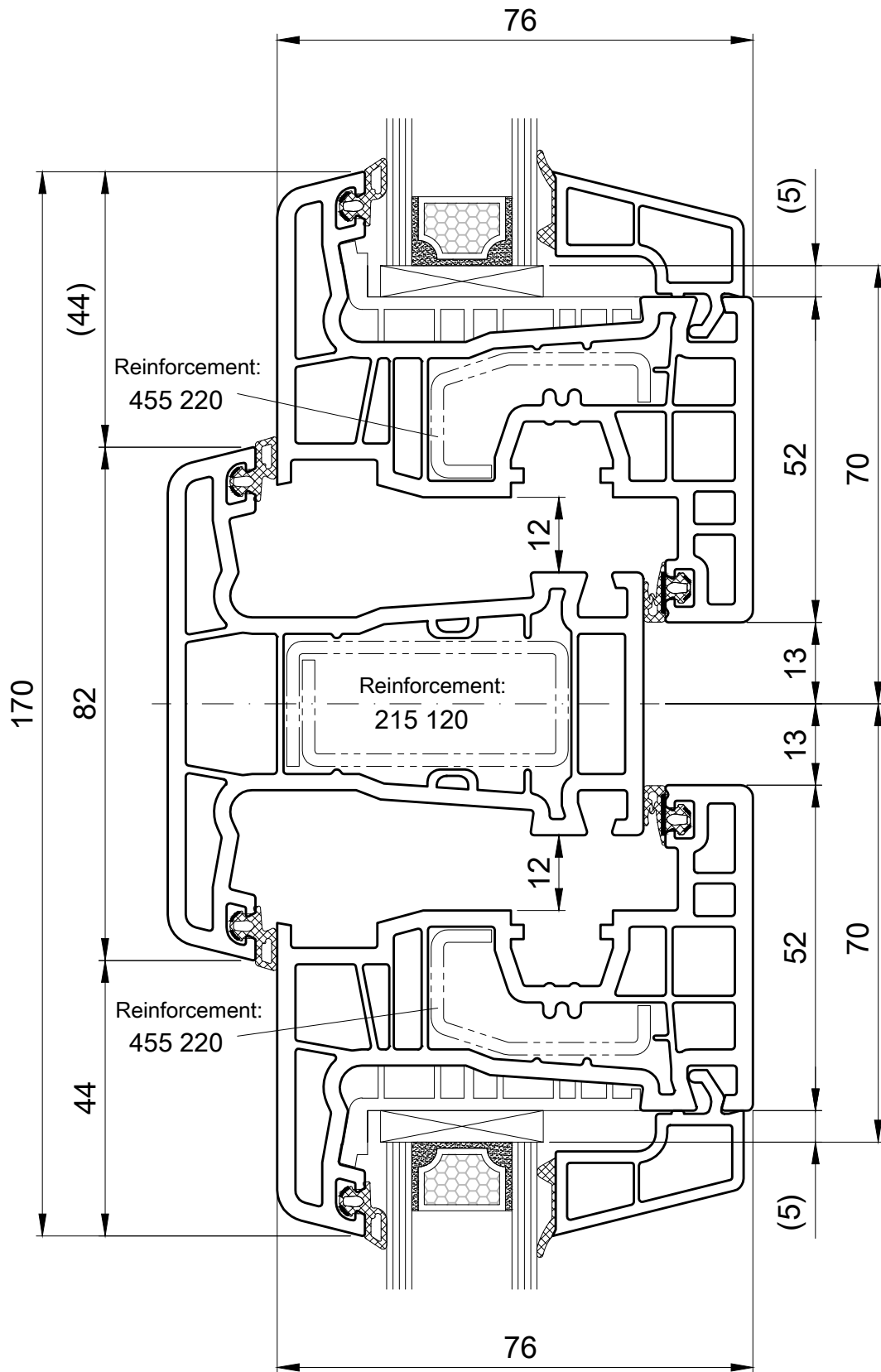
ST 04
02.19



Post
252 120

Casement
251 010

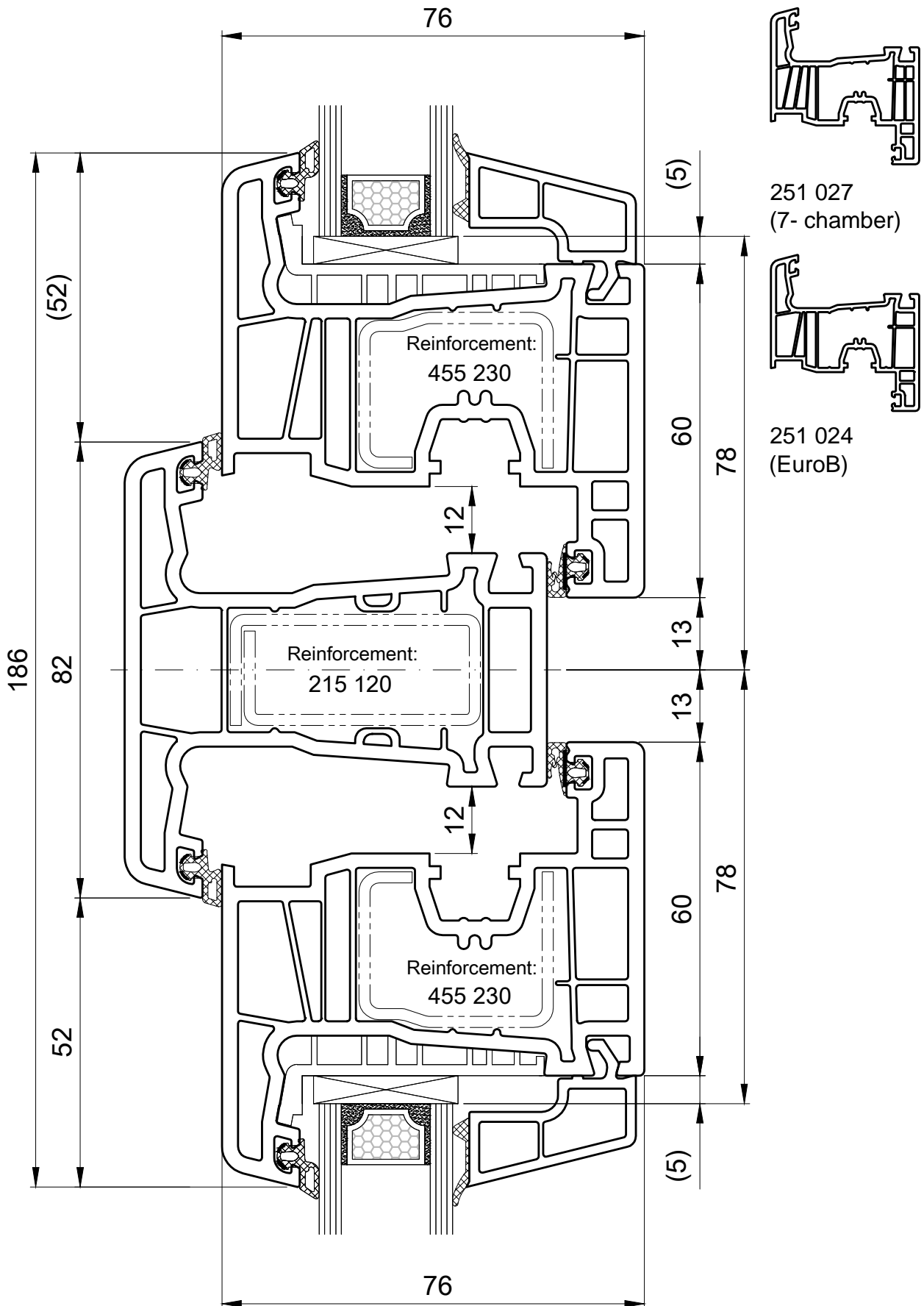
ST 04
03.1



Post
252 120

Casement
251 020, 251 027, 251 024

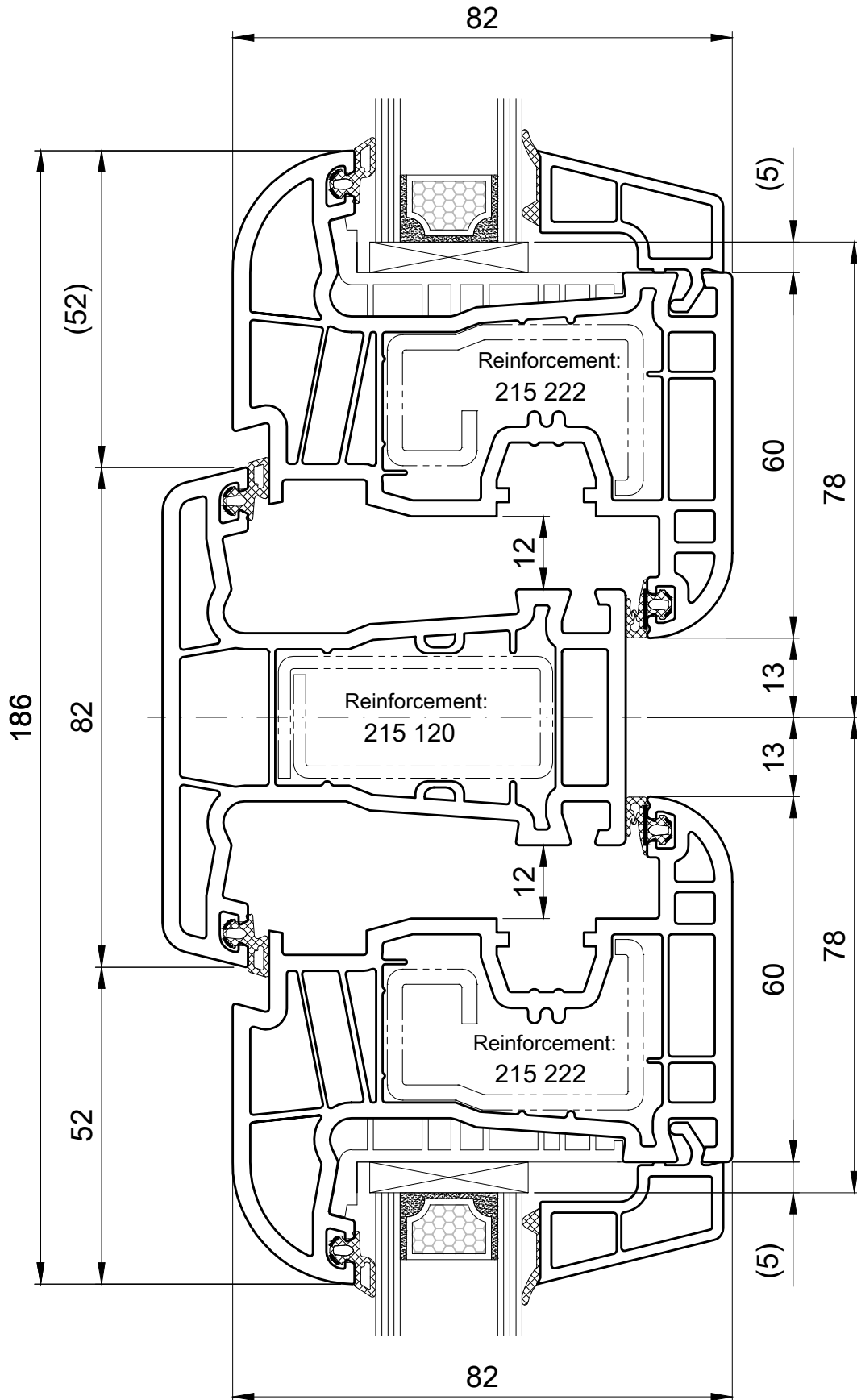
ST 04
03.2



Post
252 120

Casement
251 222

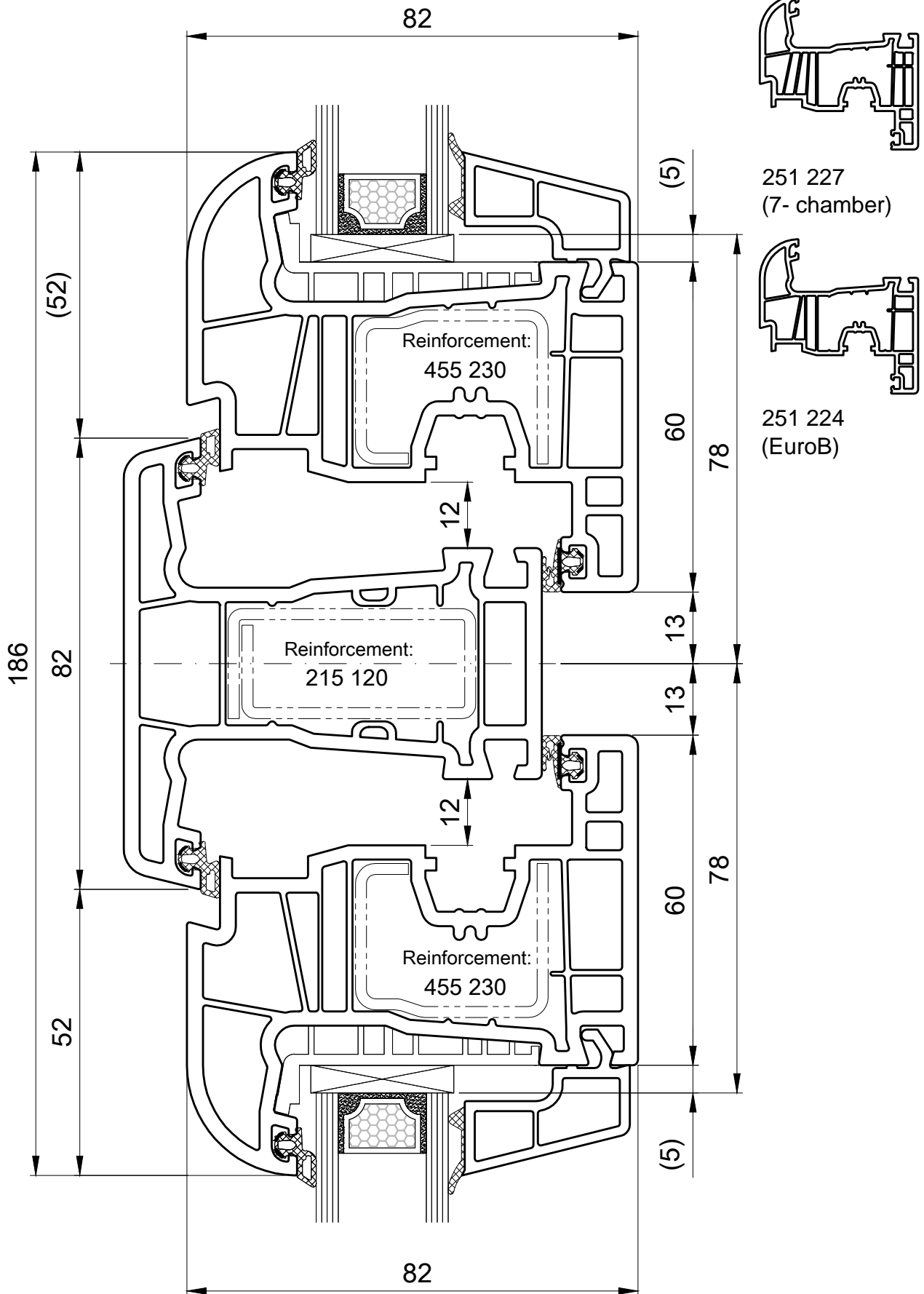
ST 04
03.3



Post
252 120

Casement
251 226, 251 227, 251 224

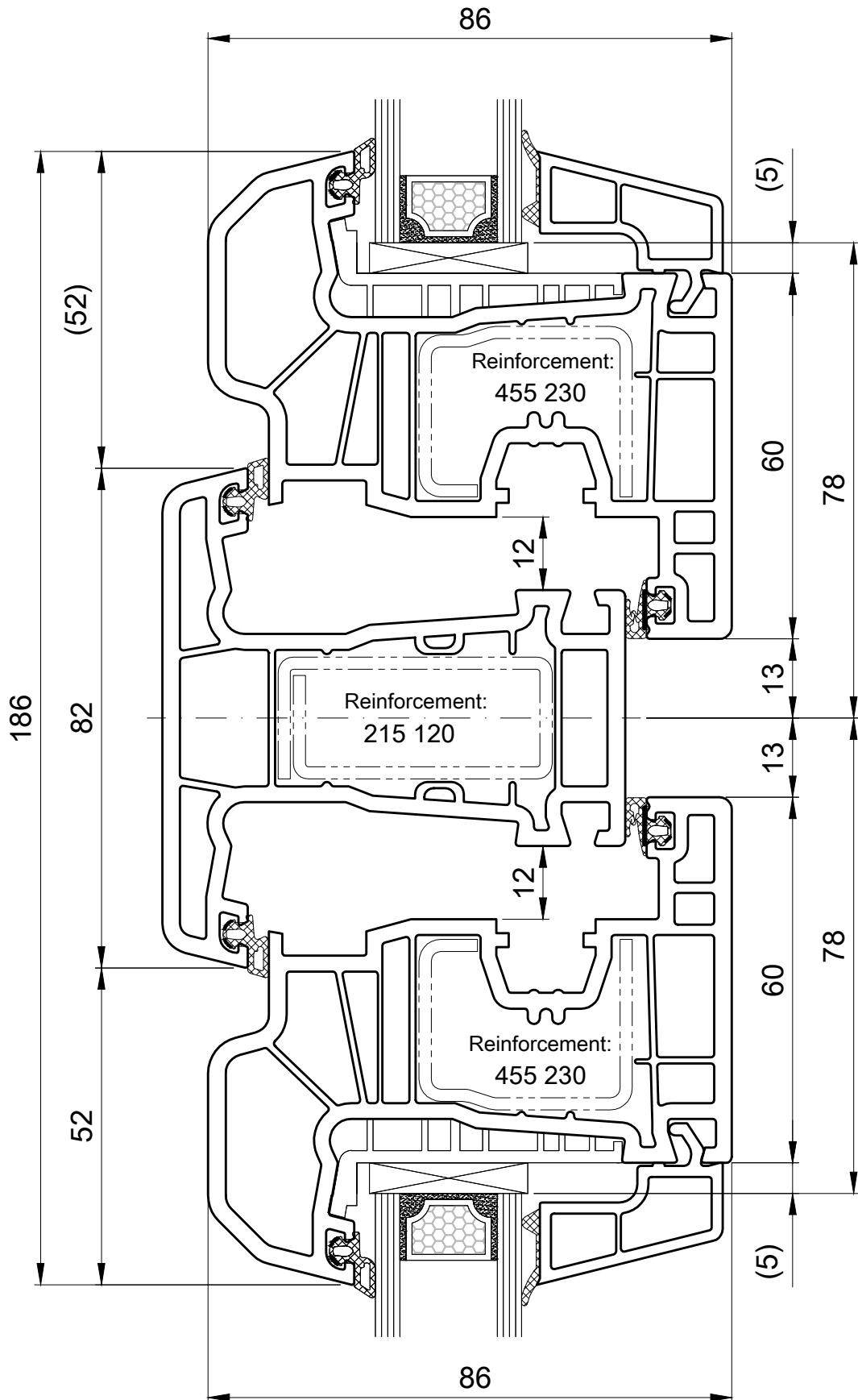
ST 04
03.4



Post
252 120

Casement
251 365

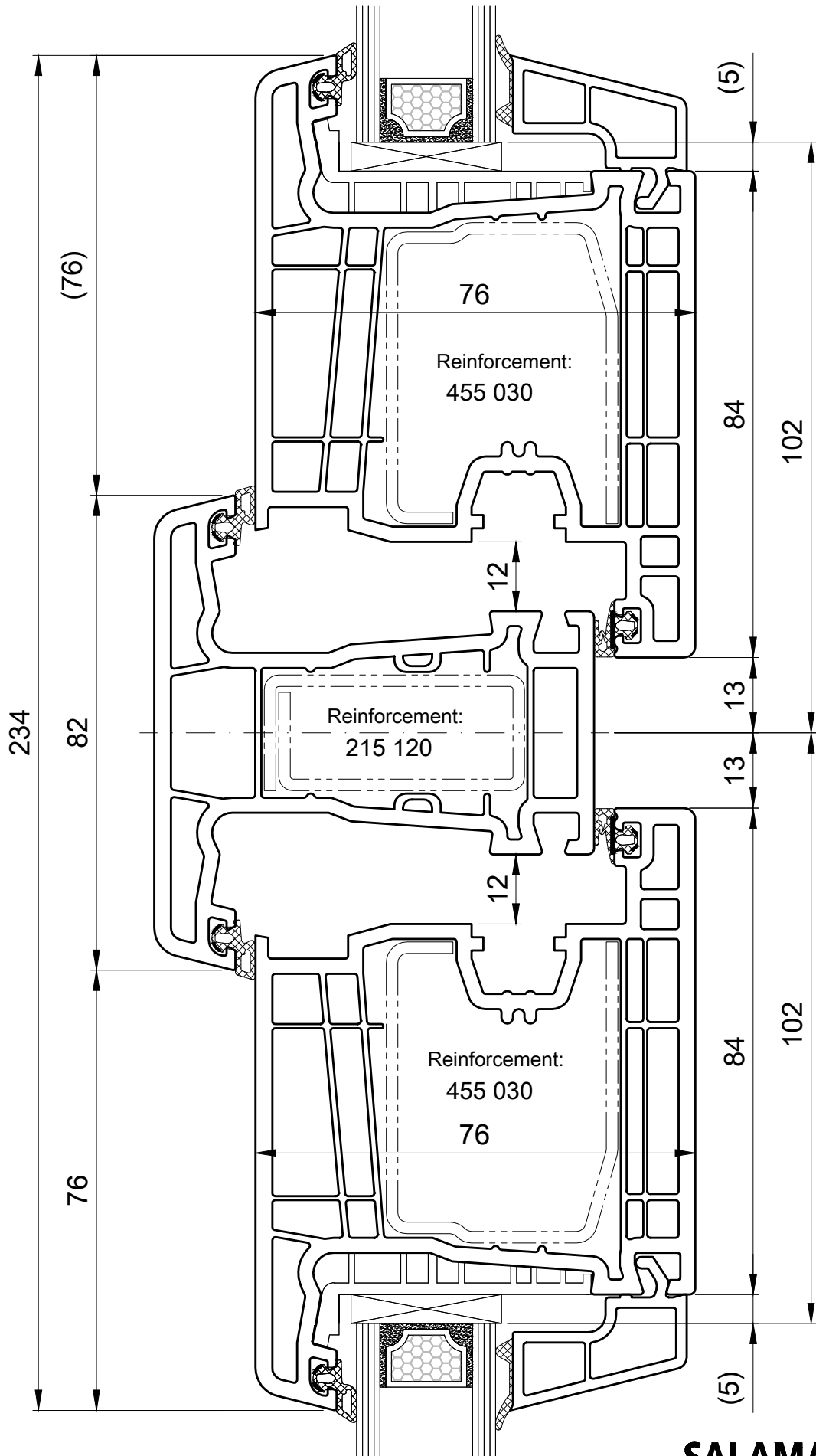
ST 04
03.5



Post
252 120

Casement
251 030

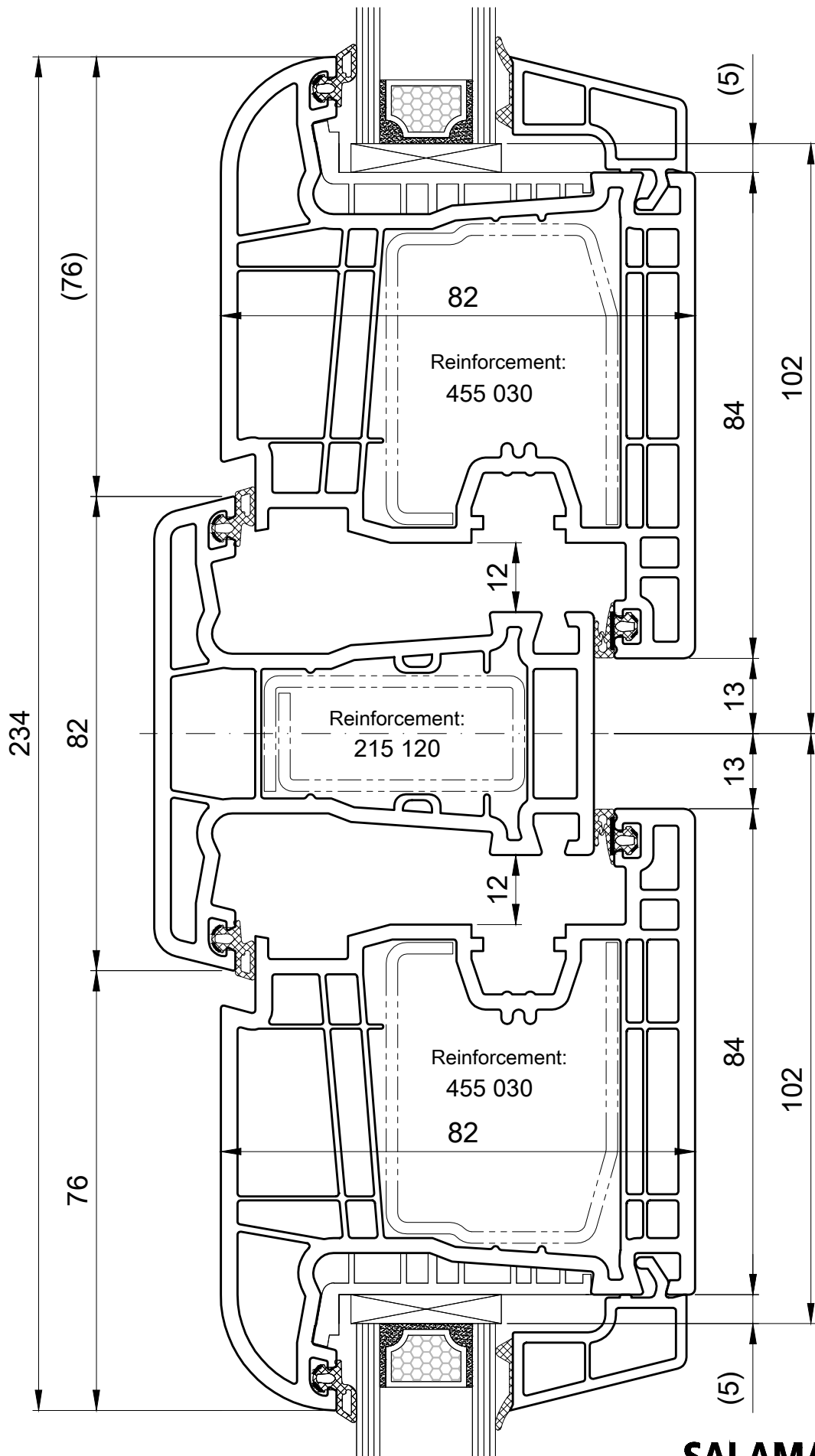
ST 04
03.6



Post
252 120

Casement
251 236

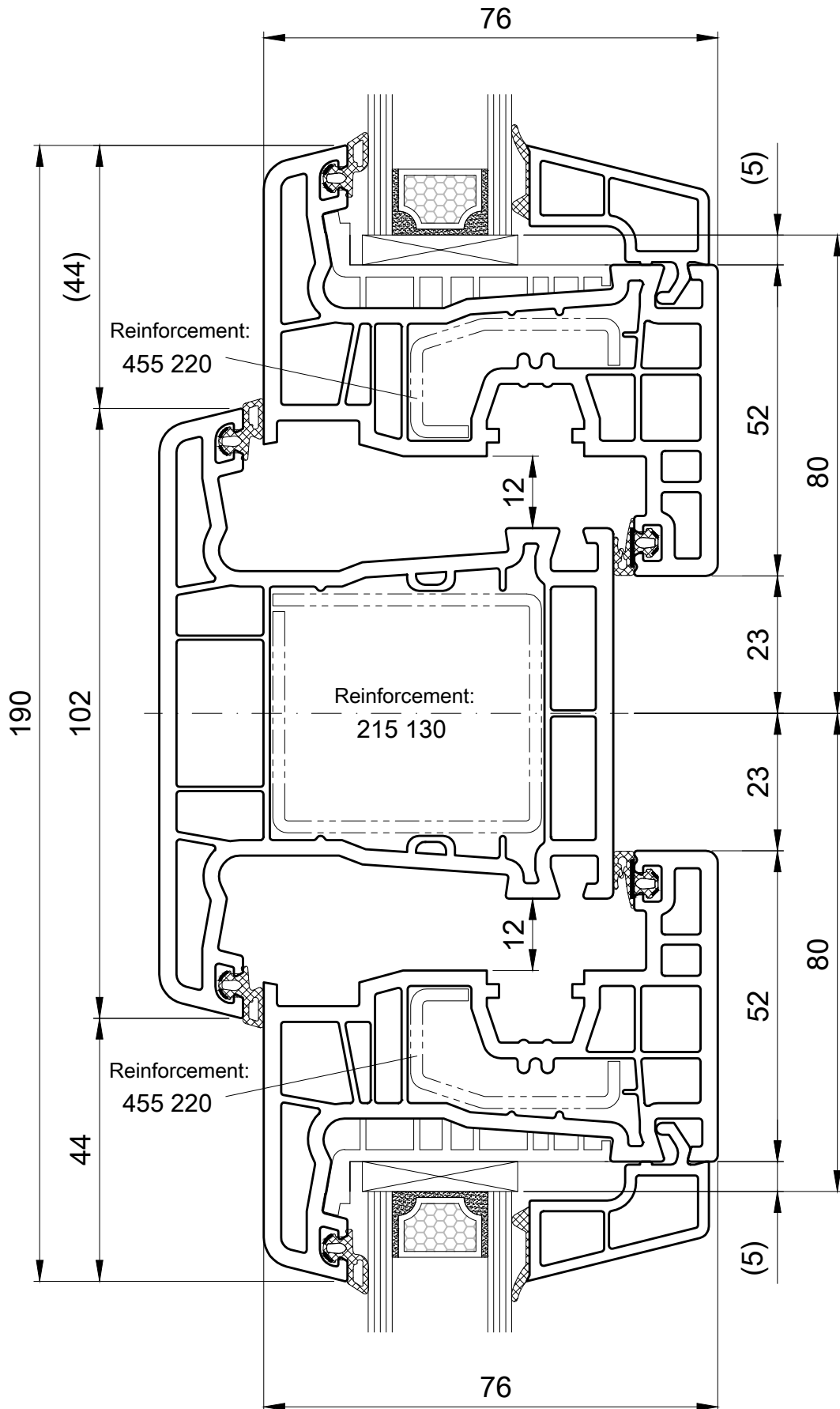
ST 04
03.7



Post
252 130

Casement
251 010

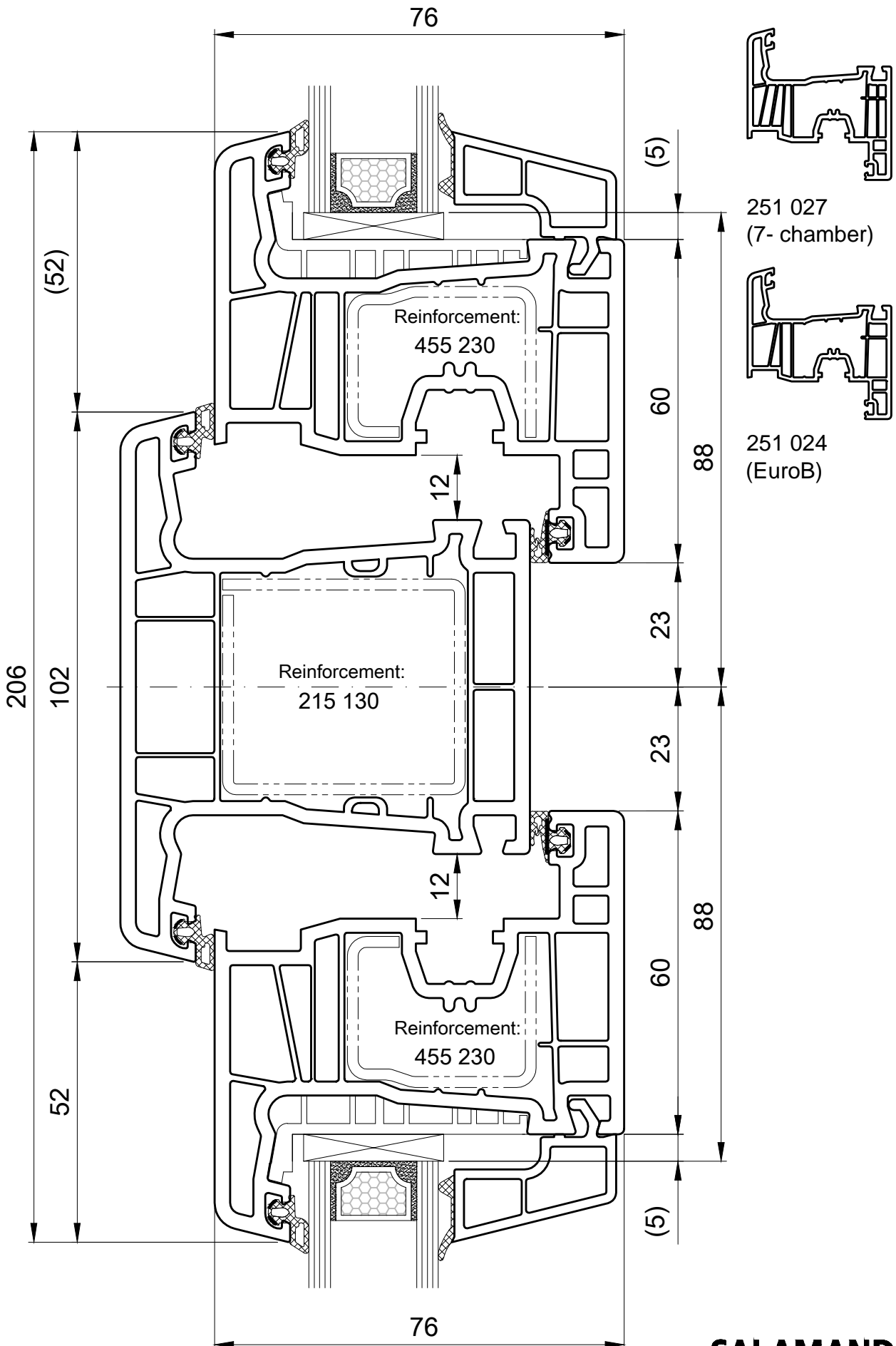
ST 04
03.8



Post
252 130

Casement
251 020, 251 027, 251 024

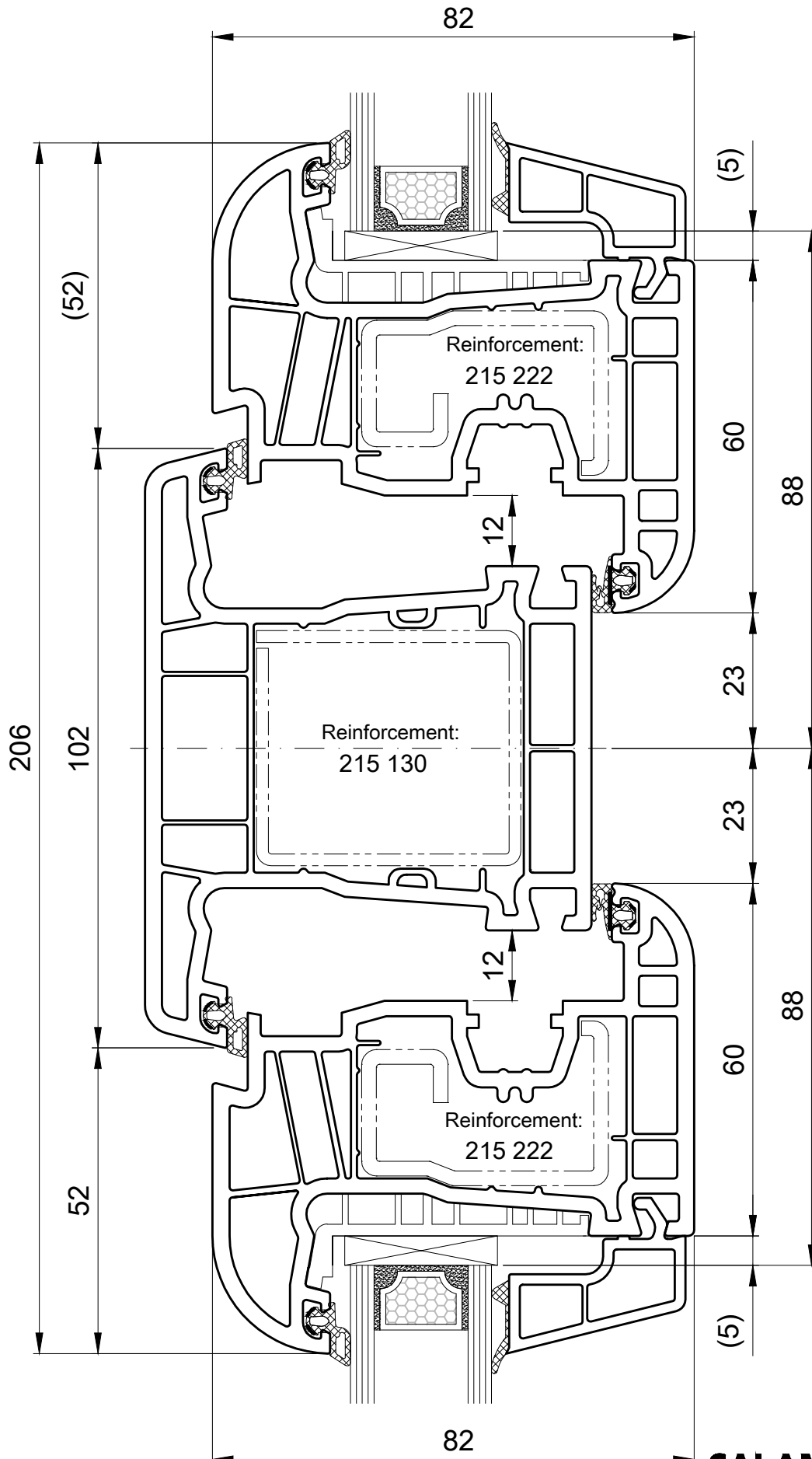
ST 04
03.9



Post
252 130

Casement
251 222

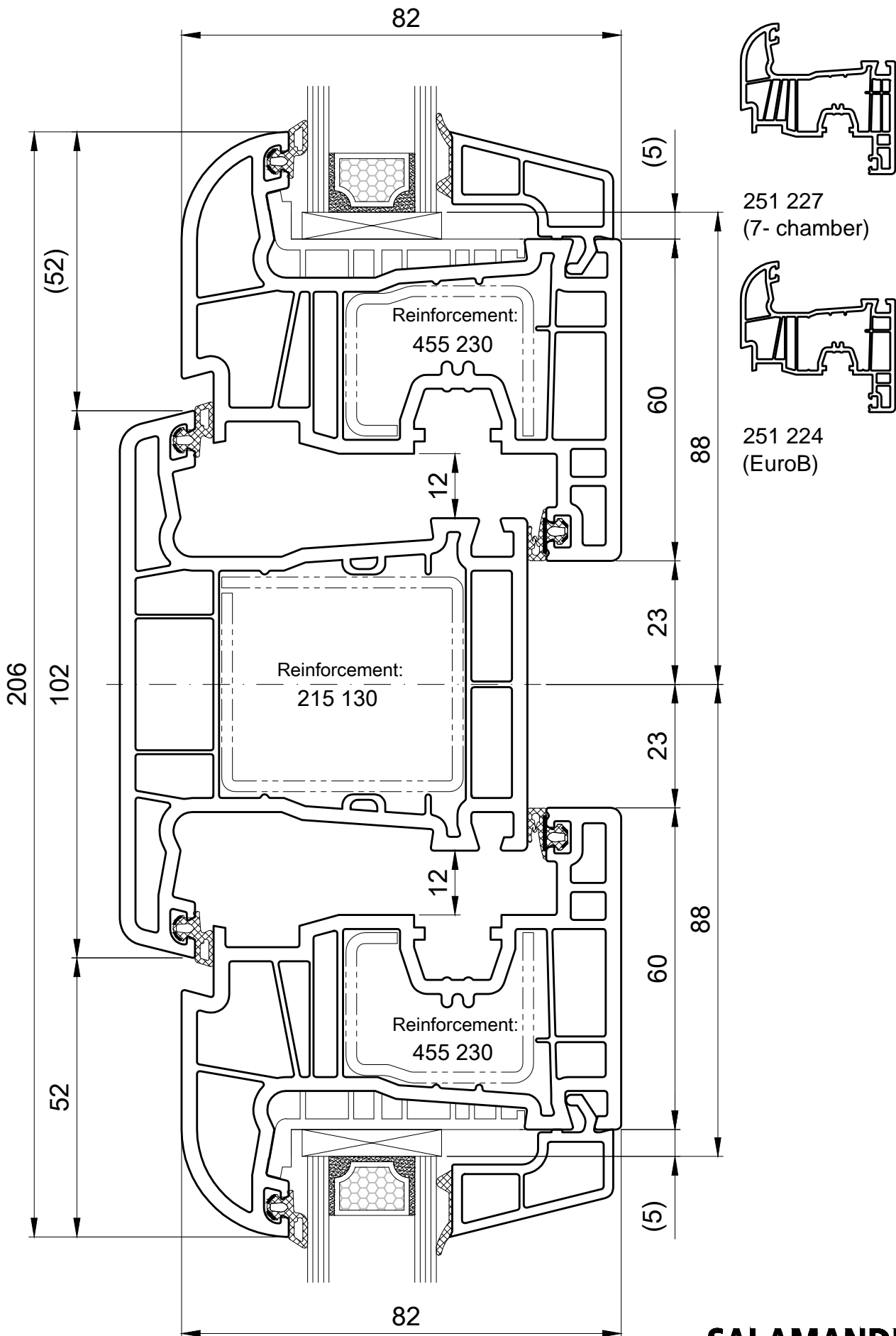
ST 04
03.10



Post
252 130

Casement
251 226, 251 227, 251 224

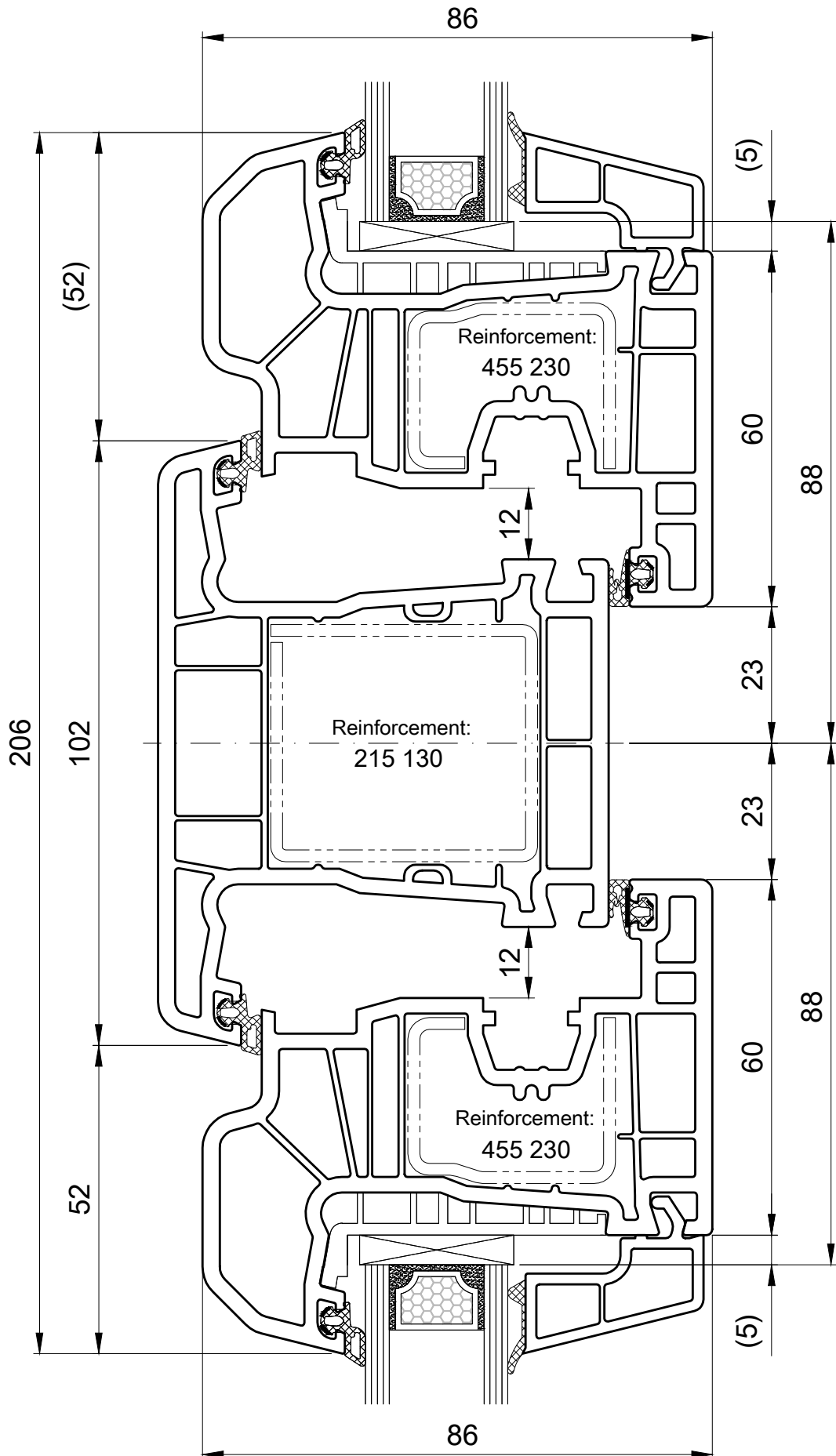
ST 04
03.11



Post
252 130

Casement
251 365

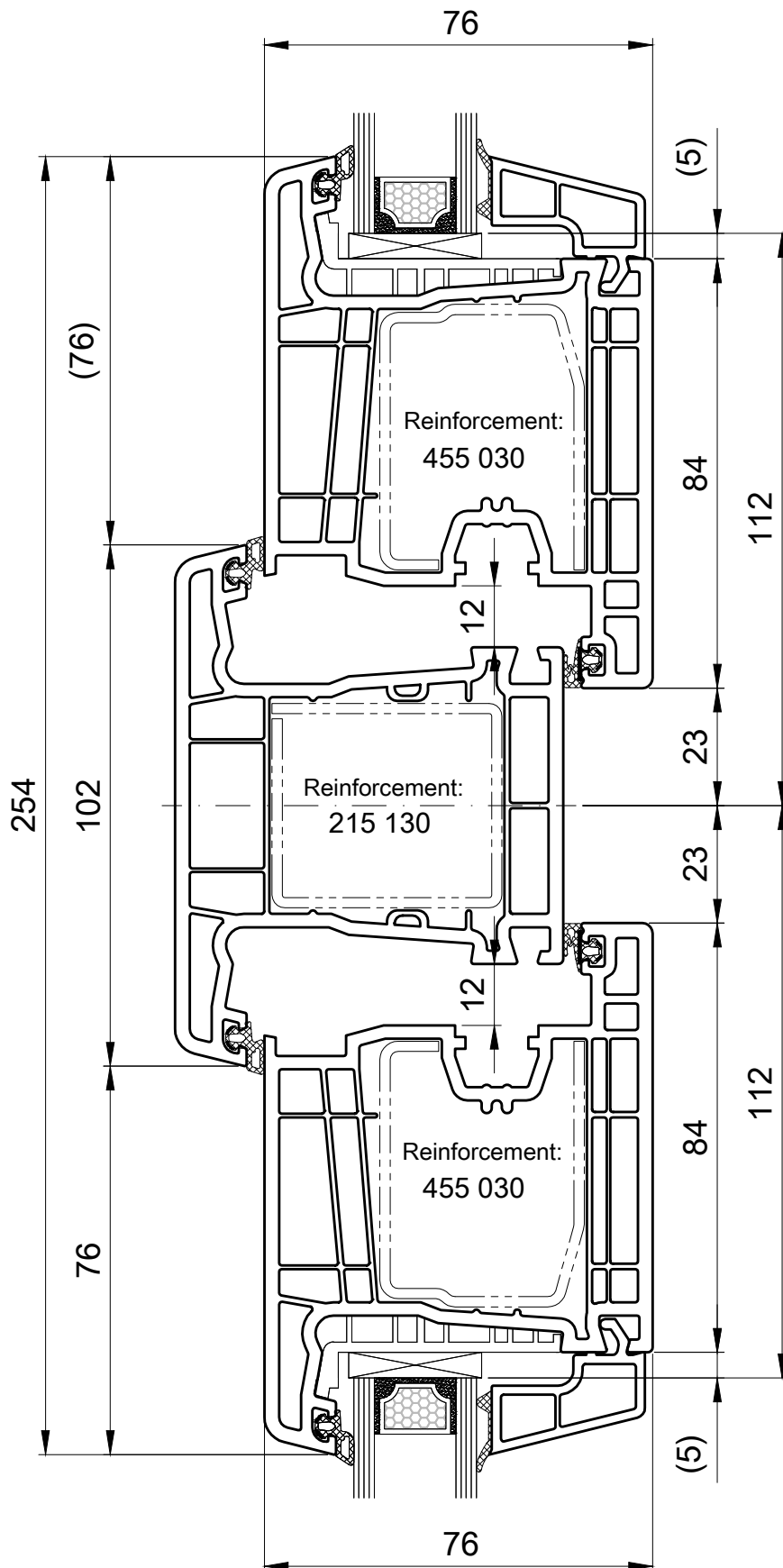
ST 04
03.12



Post
252 130

Casement
251 030

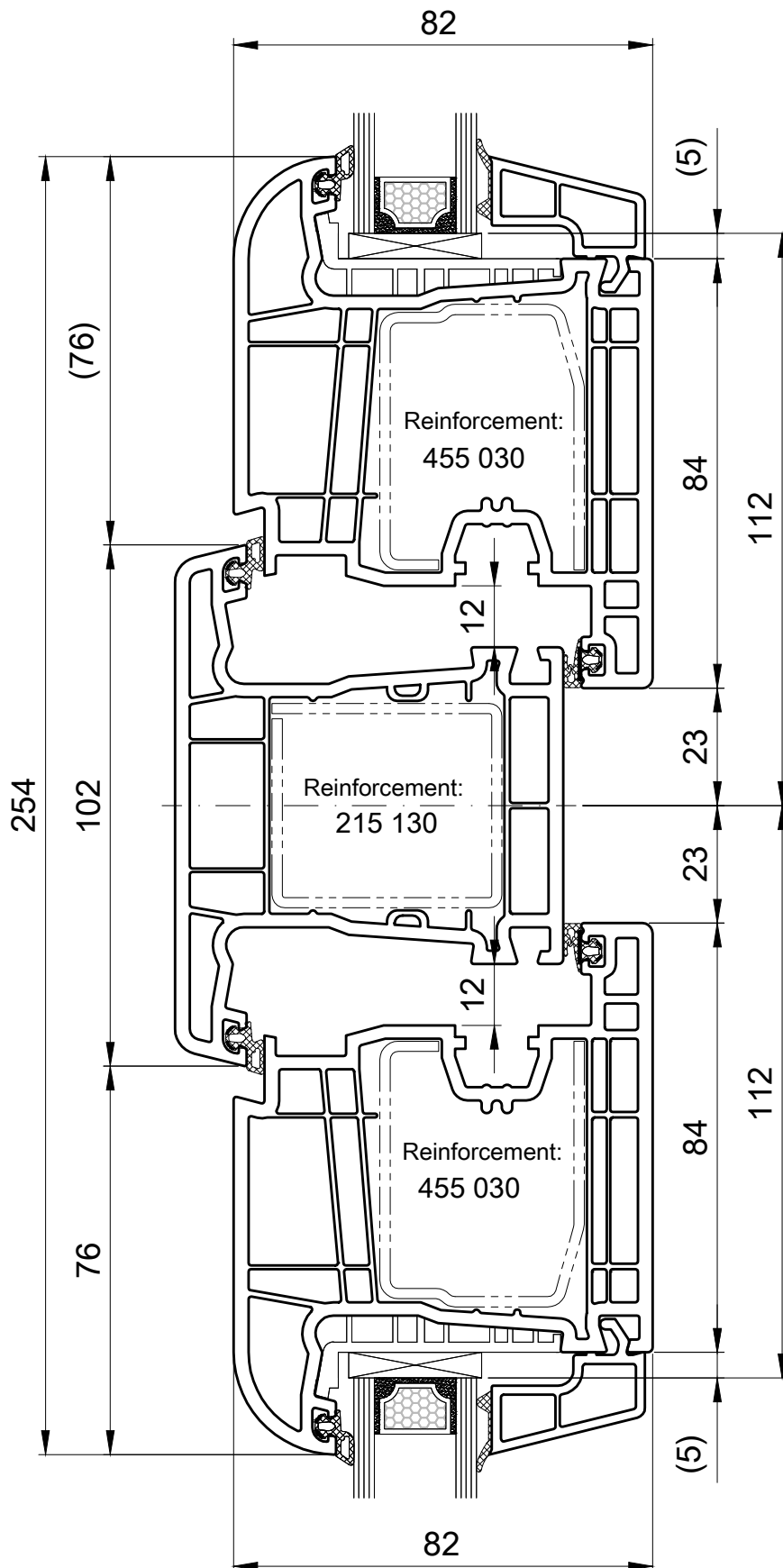
ST 04
03.13



Post
252 130

Casement
251 236

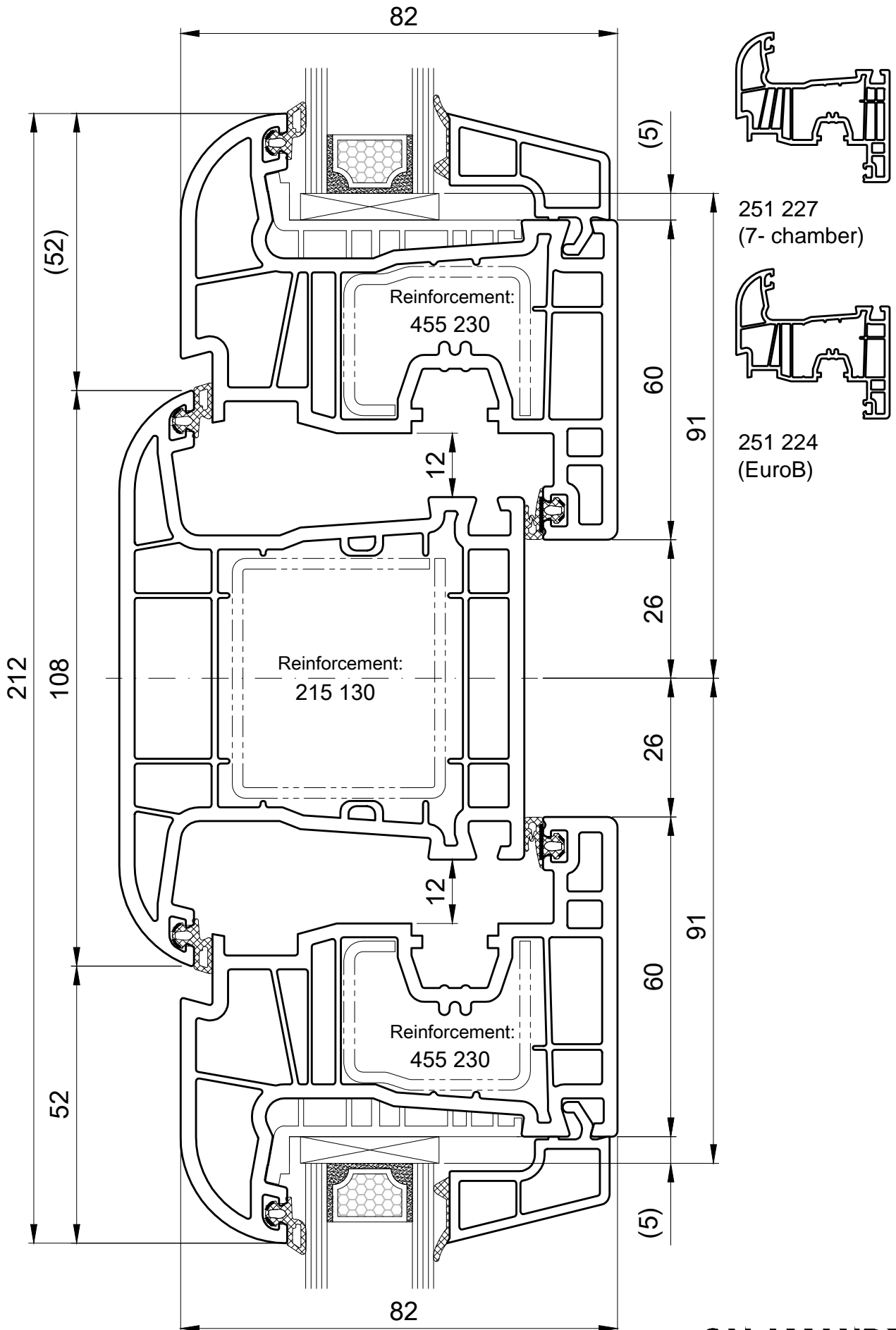
ST 04
03.14



Post
212 220

Casement
251 226, 251 227, 251 224

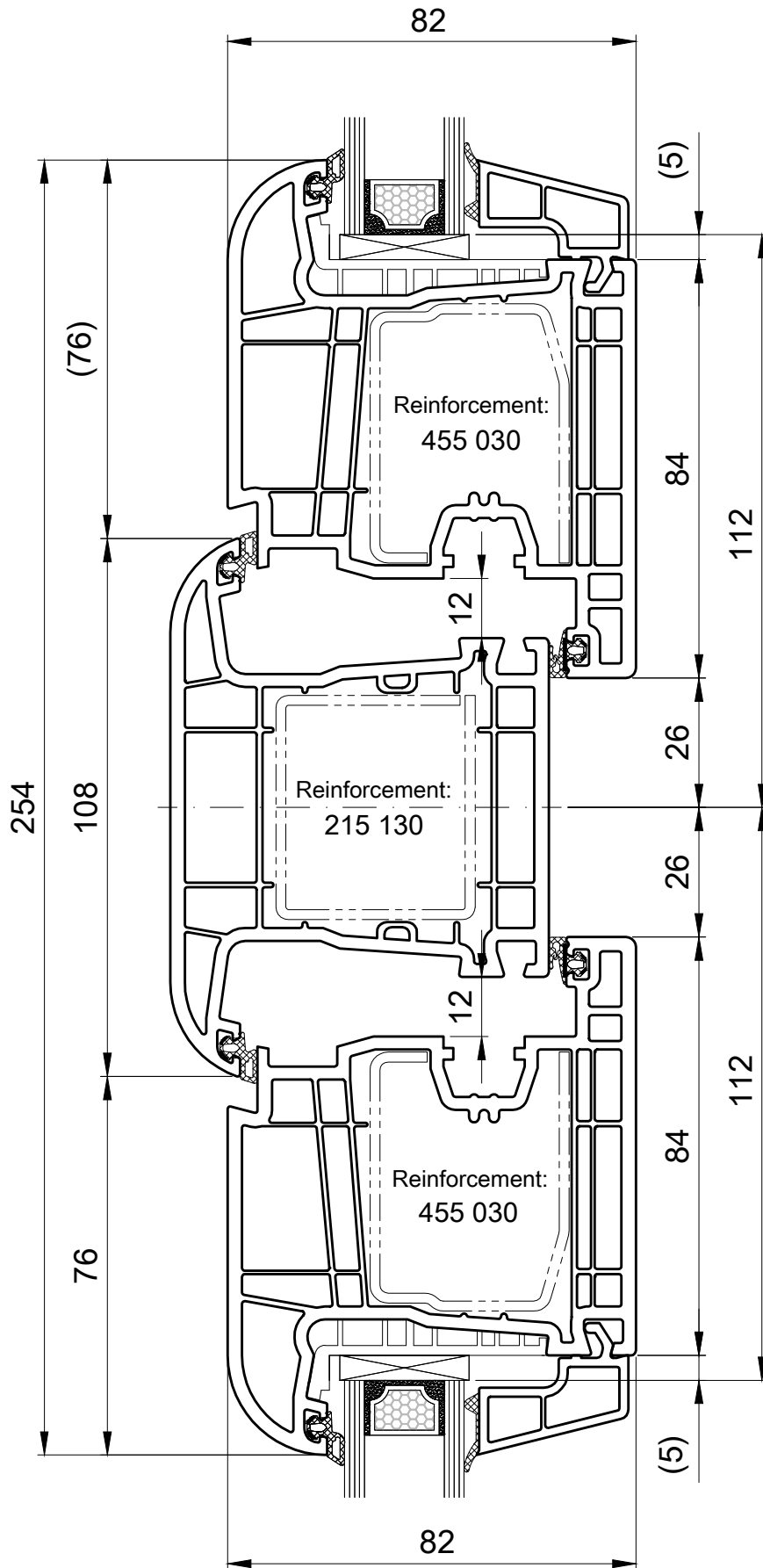
ST 04
03.15



Post
212 220

Casement
251 236

ST 04
03.16



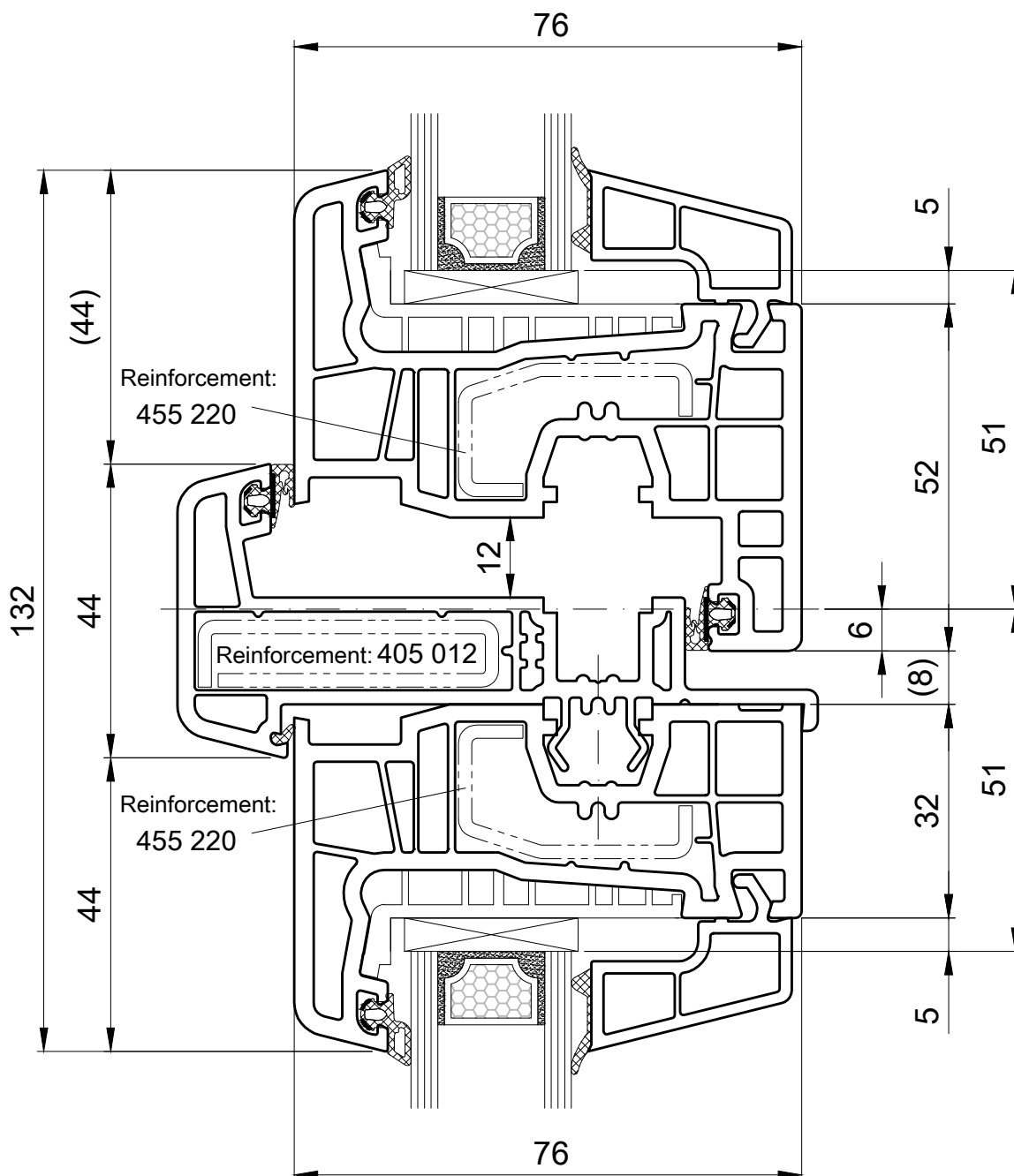
Overlap

Overlap	Casement
256 020	251 010

ST 04
04.1

Casement cut (width)
 at 250 220 = (RAM:2) - 34 mm
 at 250 230 = (RAM:2) - 51 mm
 at 250 240 = (RAM:2) - 76 mm

Overlap profile cut (altitude)
 256 020 = FAM - 80 mm
 Cover up for 257 020



Seal with permanently elastic, neutrally bonding sealant, suitable for PVC and galvanised steel.

Scale 1:1 (or depending on print-out)

Issue: 01/2012

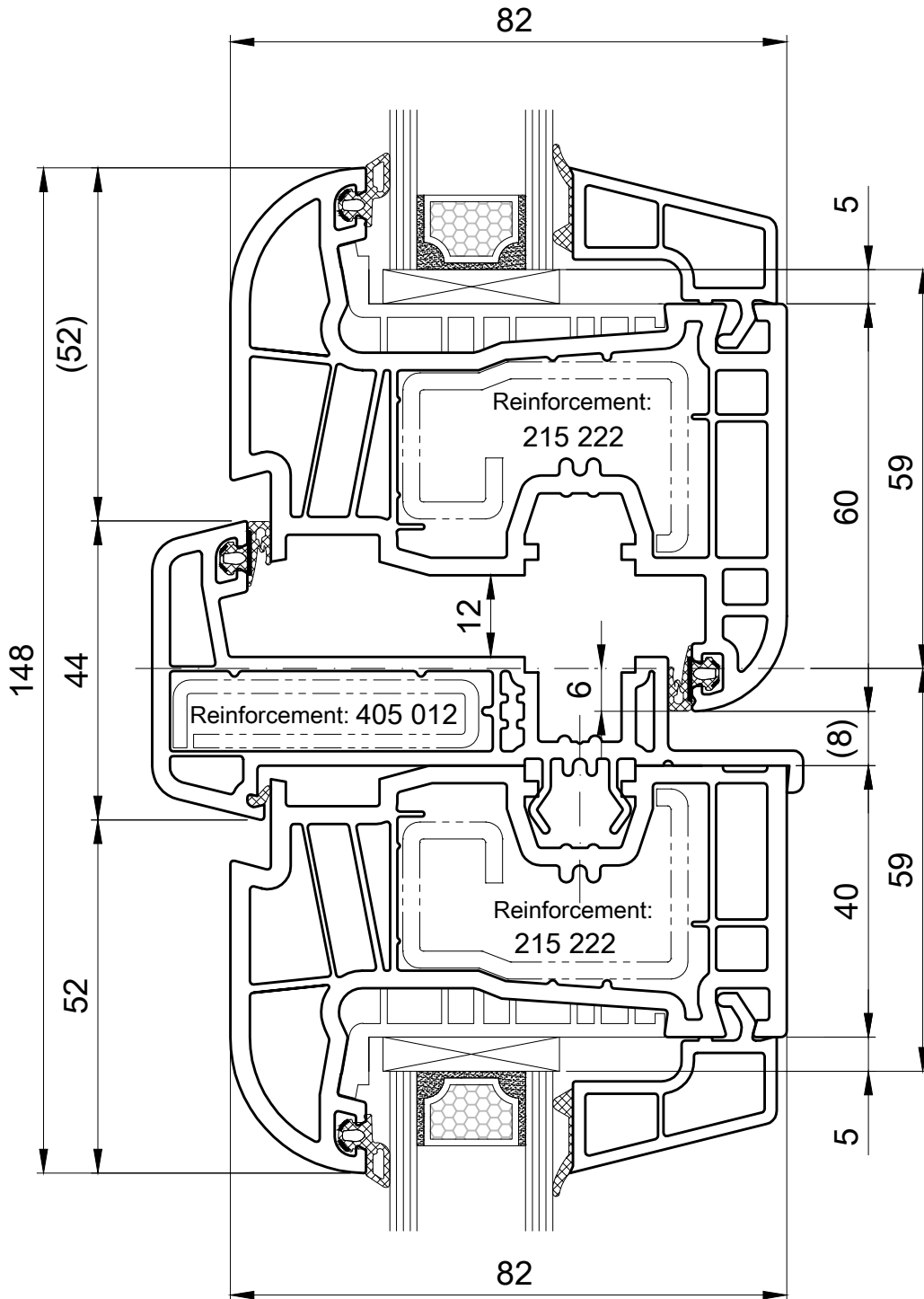
Overlap
256 020

Casement
251 222

ST 04
04.3

Casement cut (width)
at 250 220 = (RAM:2) - 34 mm
at 250 230 = (RAM:2) - 51 mm
at 250 240 = (RAM:2) - 76 mm

Overlap profile cut (altitude)
256 020 = FAM - 80 mm
Cover up for 257 020



Seal with permanently elastic, neutrally bonding sealant, suitable for PVC and galvanised steel.

Scale 1:1 (or depending on print-out)

Issue: 01/2012

Overlap

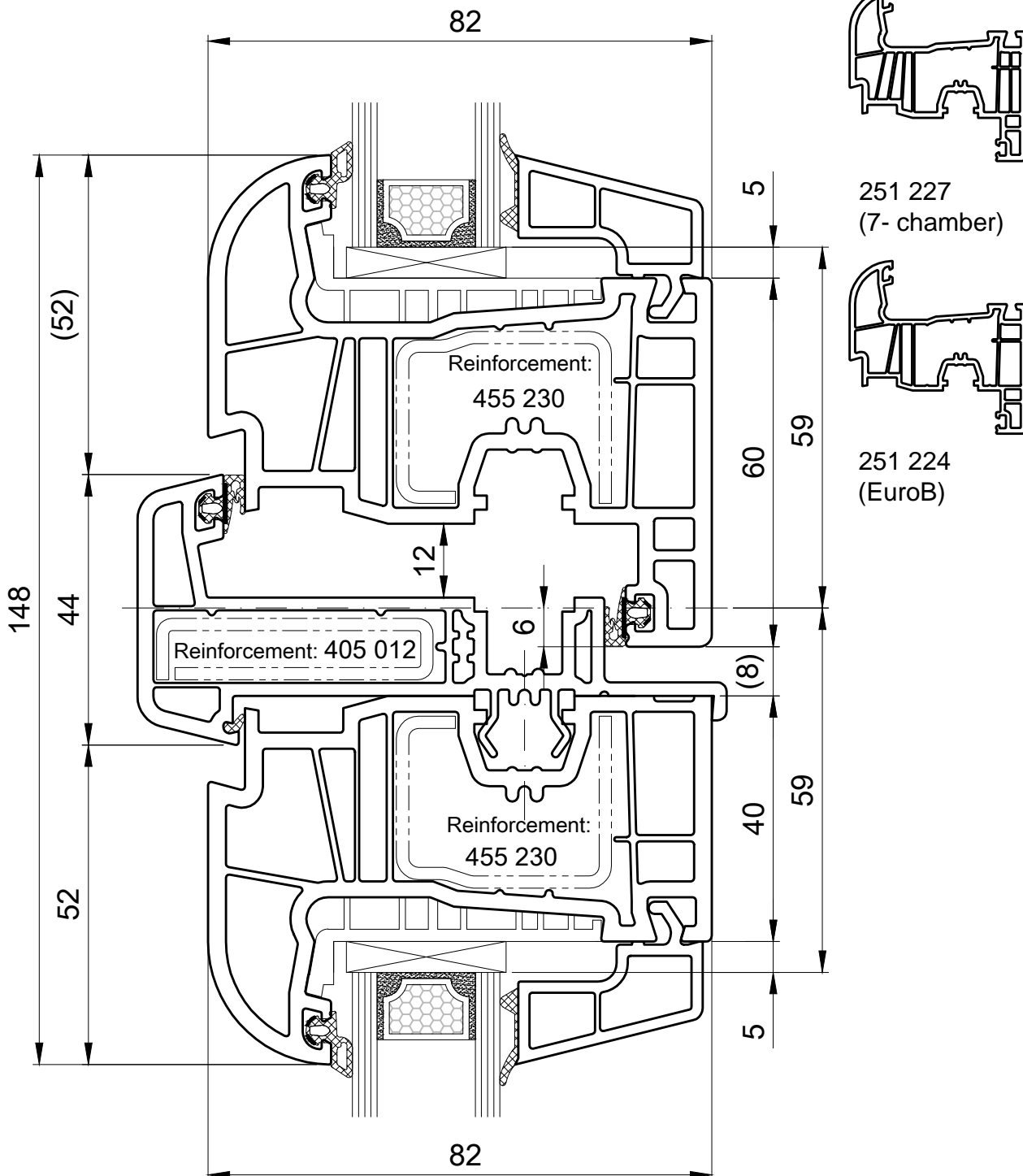
Overlap
256 020

Casement
251 226, 251 227, 251 224

ST 04
04.4

Casement cut (width)
at 250 220 = (RAM:2) - 34 mm
at 250 230 = (RAM:2) - 51 mm
at 250 240 = (RAM:2) - 76 mm

Overlap profile cut (altitude)
256 020 = FAM - 80 mm
Cover up for 257 020



Seal with permanently elastic, neutrally bonding sealant, suitable for PVC and galvanised steel.

Scale 1:1 (not to scale) (or depending on print-out)

Issue: 01/2012

Overlap

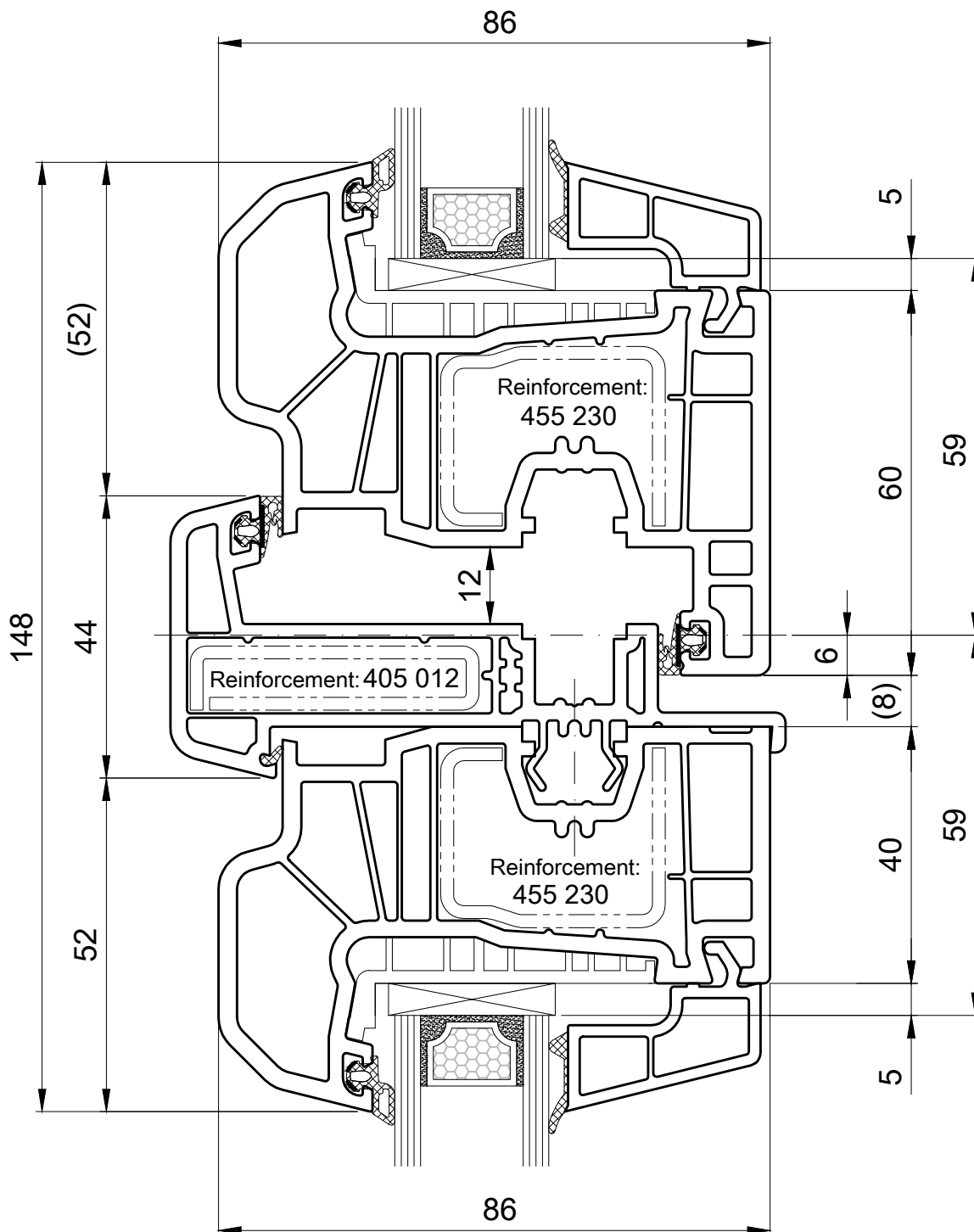
Overlap
256 020

Casement
251 365

ST 04
04.5

Casement cut (width)
at 250 220 = (RAM:2) - 34 mm
at 250 230 = (RAM:2) - 51 mm
at 250 240 = (RAM:2) - 76 mm

Overlap profile cut (altitude)
256 020 = FAM - 80 mm
Cover up for 257 020



Seal with permanently elastic, neutrally bonding sealant, suitable for PVC and galvanised steel.

Scale 1:1 (or depending on print-out)

Issue: 01/2012

Overlap

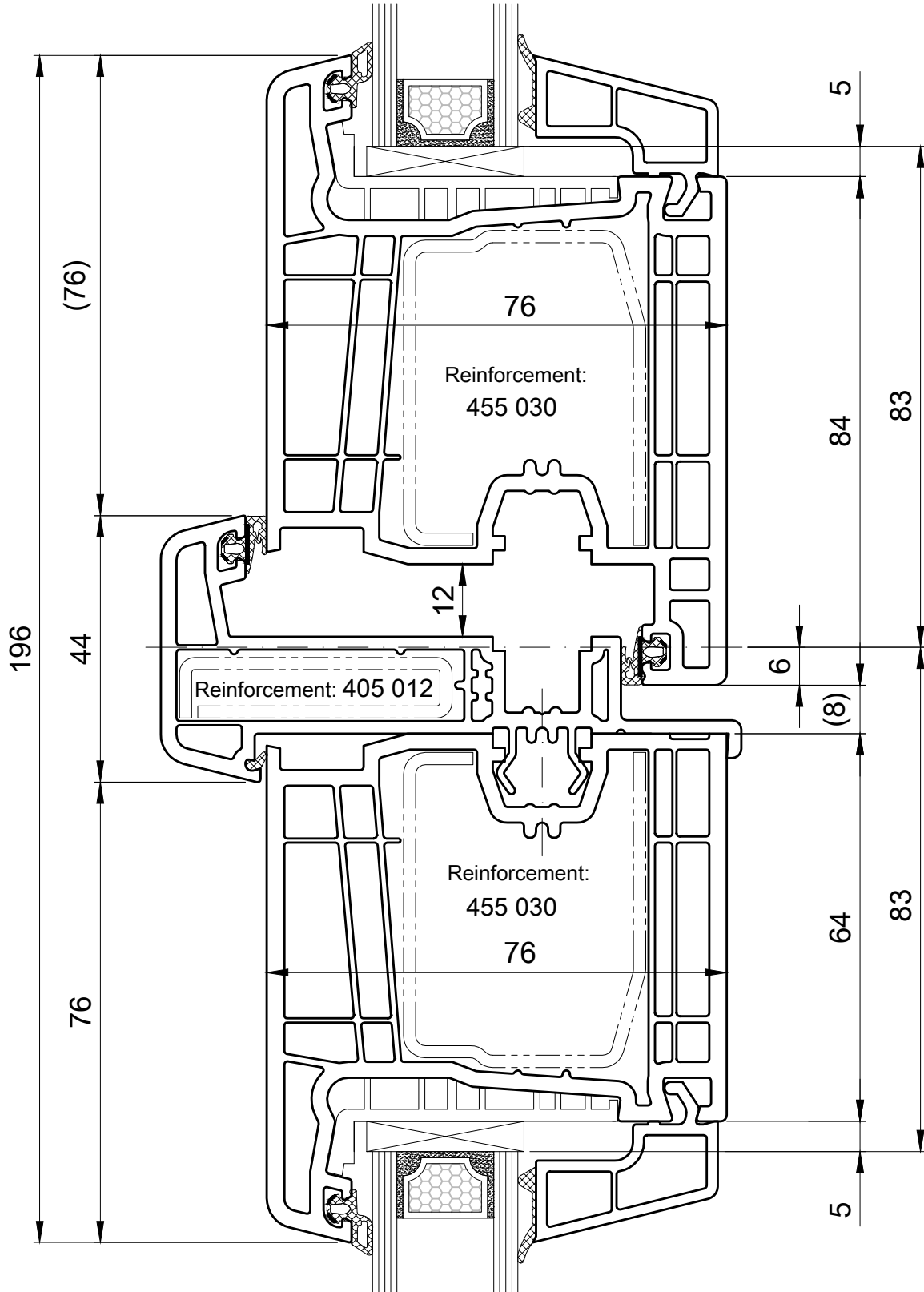
Overlap
256 020

Casement
251 030

ST 04
04.6

Casement cut (width)
at 250 220 = (RAM:2) - 34 mm
at 250 230 = (RAM:2) - 51 mm
at 250 240 = (RAM:2) - 76 mm

Overlap profile cut (altitude)
256 020 = FAM - 80 mm
Cover up for 257 020



Seal with permanently elastic, neutrally bonding sealant, suitable for PVC and galvanised steel.

Scale 1:1 (or depending on print-out)

Issue: 01/2012

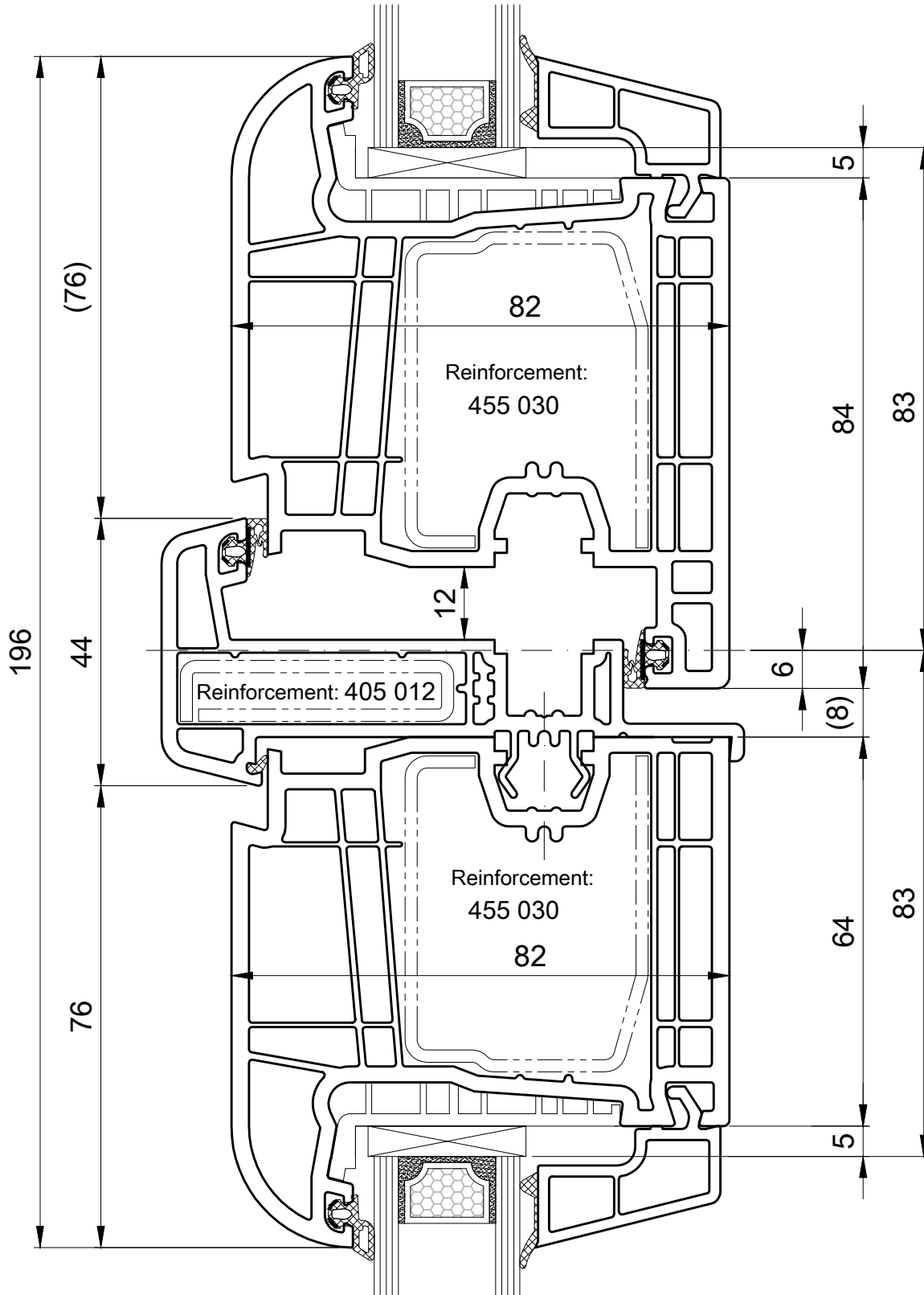
Overlap
256 020

Casement
251 236

ST 04
04.7

Casement cut (width)
at 250 220 = (RAM:2) - 34 mm
at 250 230 = (RAM:2) - 51 mm
at 250 240 = (RAM:2) - 76 mm

Overlap profile cut (altitude)
256 020 = FAM - 80 mm
Cover up for 257 020



Seal with permanently elastic, neutrally bonding sealant, suitable for PVC and galvanised steel.

Scale 1:1 (or depending on print-out)

Issue: 01/2012

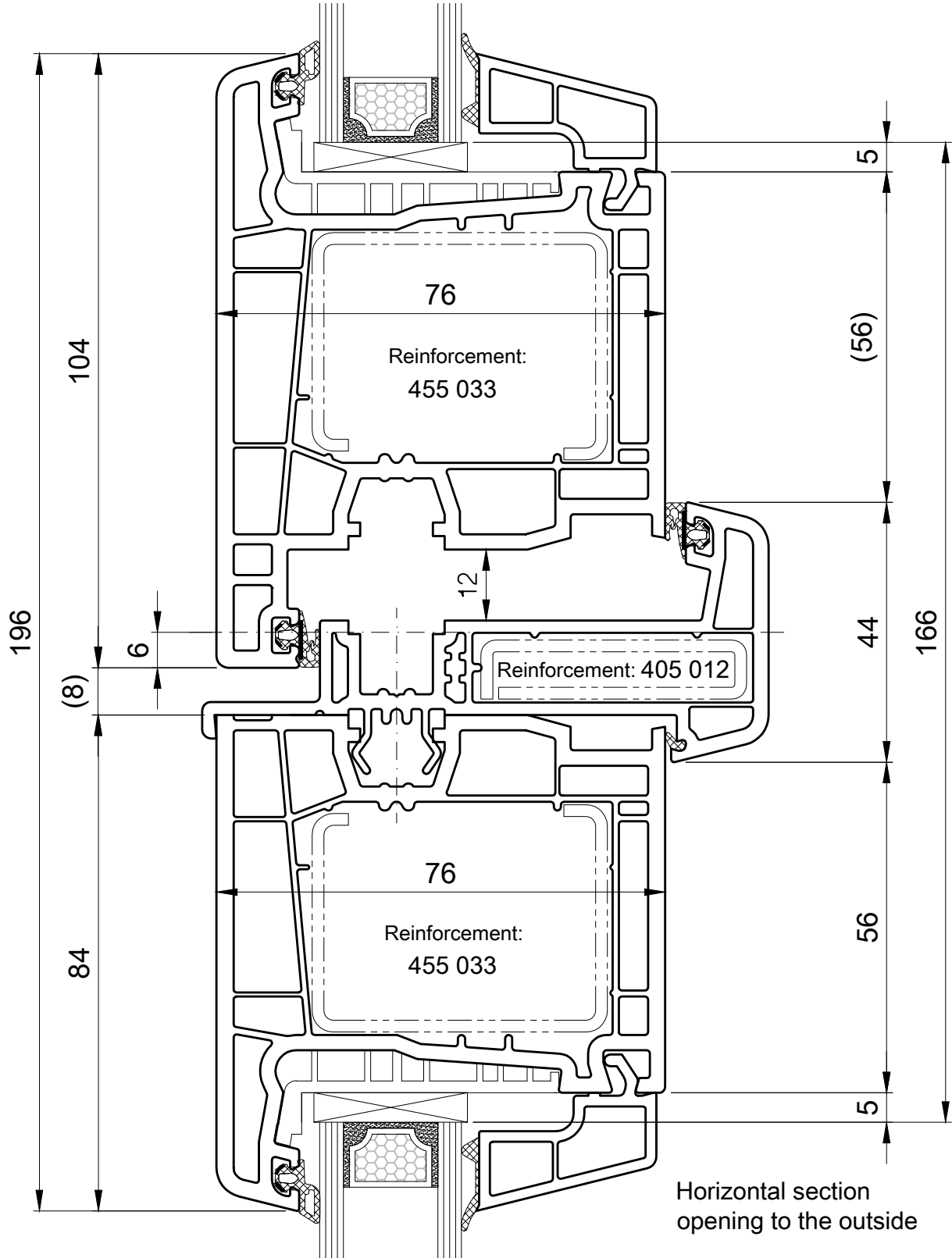
Overlap

Overlap	T- shaped casement
256 020	351 030

ST 04
04.08

Casement cut (width)
 at 250 220 = (RAM:2) - 34 mm
 at 250 230 = (RAM:2) - 51 mm
 at 250 240 = (RAM:2) - 76 mm

Overlap profile cut (altitude)
 256 020 = FAM - 80 mm
 Cover up for 257 020



Seal with permanently elastic, neutrally bonding sealant, suitable for PVC and galvanised steel.

Scale 1:1 (or depending on print-out)

Issue: 01/2012

Overlap

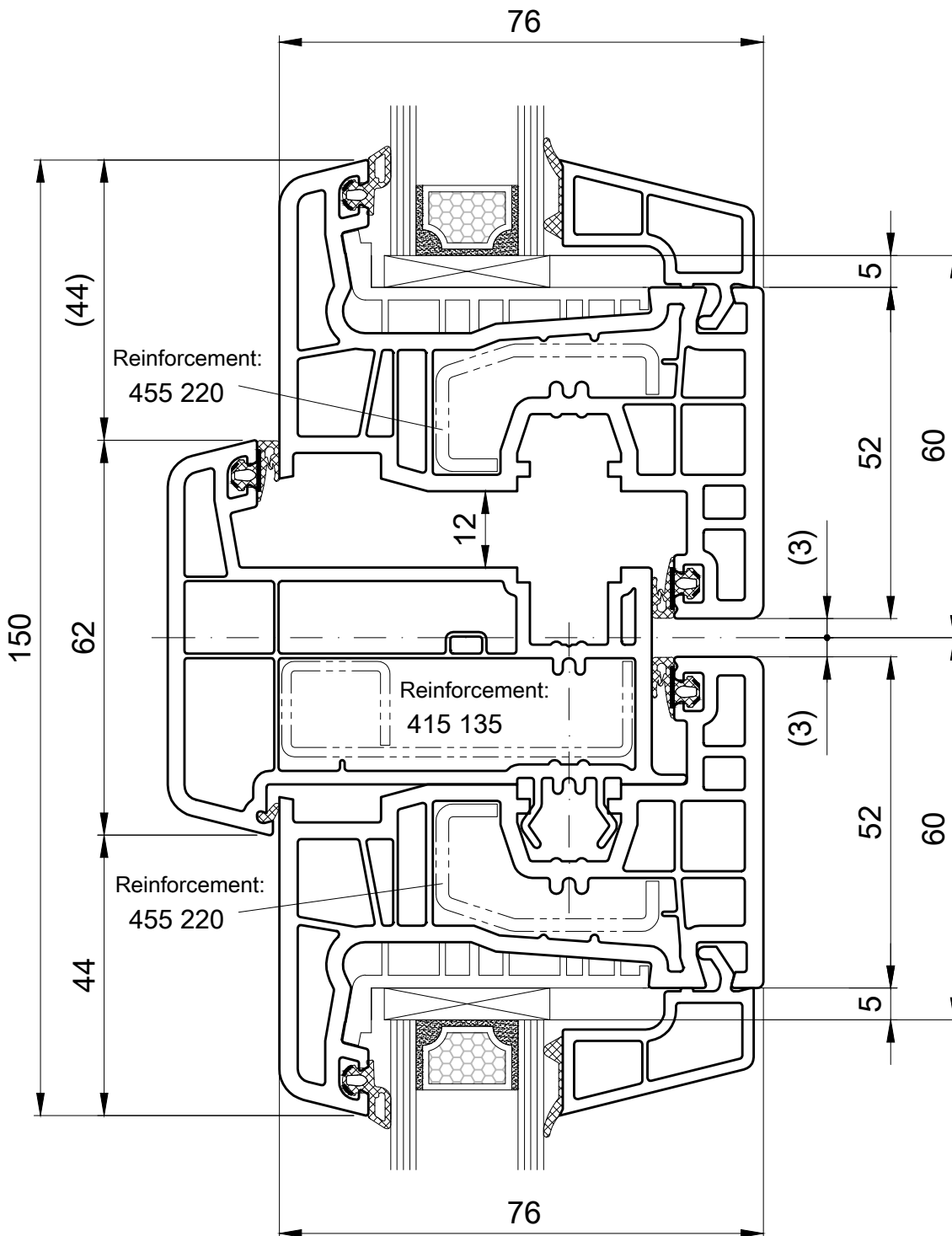
Overlap
256 030

Casement
251 010

ST 04
04.9

Casement cut (width)
at 250 220 = (RAM:2) - 43 mm
at 250 230 = (RAM:2) - 60 mm
at 250 240 = (RAM:2) - 85 mm

Overlap profile cut (altitude)
256 030 = FAM - 80 mm
Cover up for 257 030



Seal with permanently elastic, neutrally bonding sealant, suitable for PVC and galvanised steel.

Scale 1:1 (or depending on print-out)

Issue: 01/2012

Overlap

Overlap
256 030

Casement
251 020

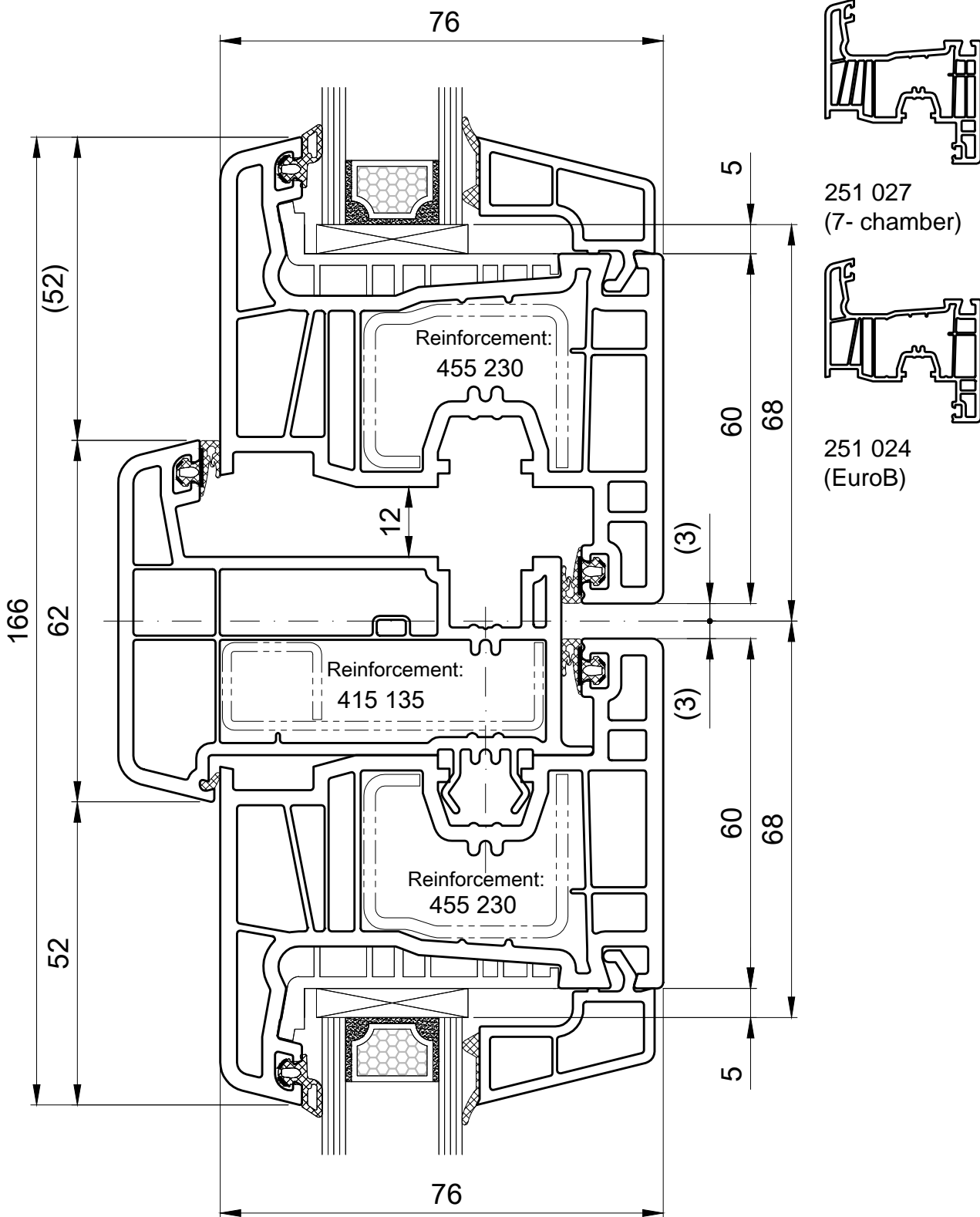
ST 04
04.10

Casement cut (width)

at 250 220 = (RAM:2) - 43 mm
at 250 230 = (RAM:2) - 60 mm
at 250 240 = (RAM:2) - 85 mm

Overlap profile cut (altitude)

256 030 = FAM - 80 mm
Cover up for 257 030



Seal with permanently elastic, neutrally bonding sealant, suitable for PVC and galvanised steel.

Scale 1:1 (not to scale) (or depending on print-out)

Issue: 01/2012

Overlap

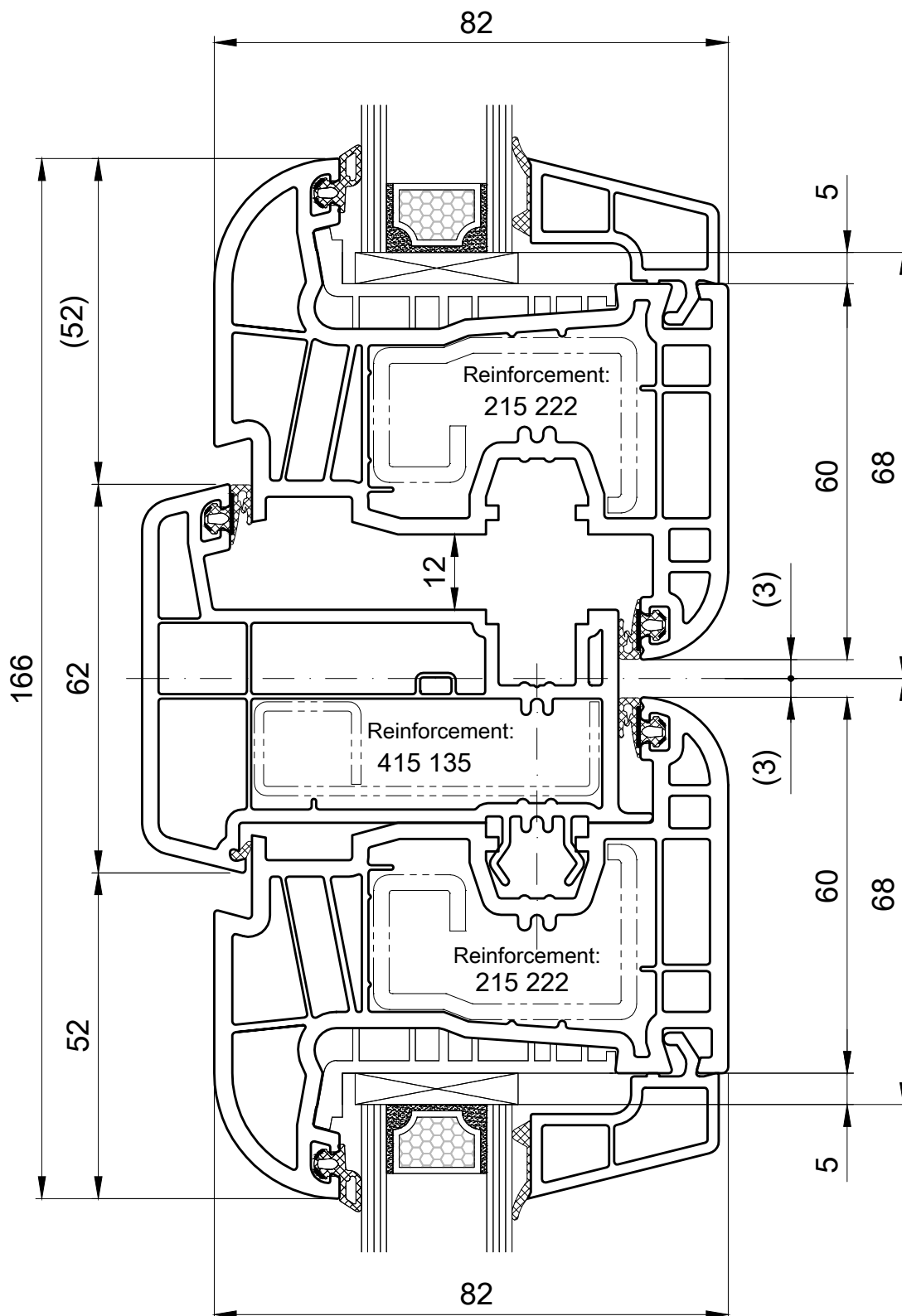
Overlap
256 030

Casement
251 222

ST 04
04.11

Casement cut (width)
at 250 220 = (RAM:2) - 34 mm
at 250 230 = (RAM:2) - 51 mm
at 250 240 = (RAM:2) - 76 mm

Overlap profile cut (altitude)
256 030 = FAM - 80 mm
Cover up for 257 030



Seal with permanently elastic, neutrally bonding sealant, suitable for PVC and galvanised steel.

Scale 1:1 (or depending on print-out)

Issue: 01/2012

Overlap

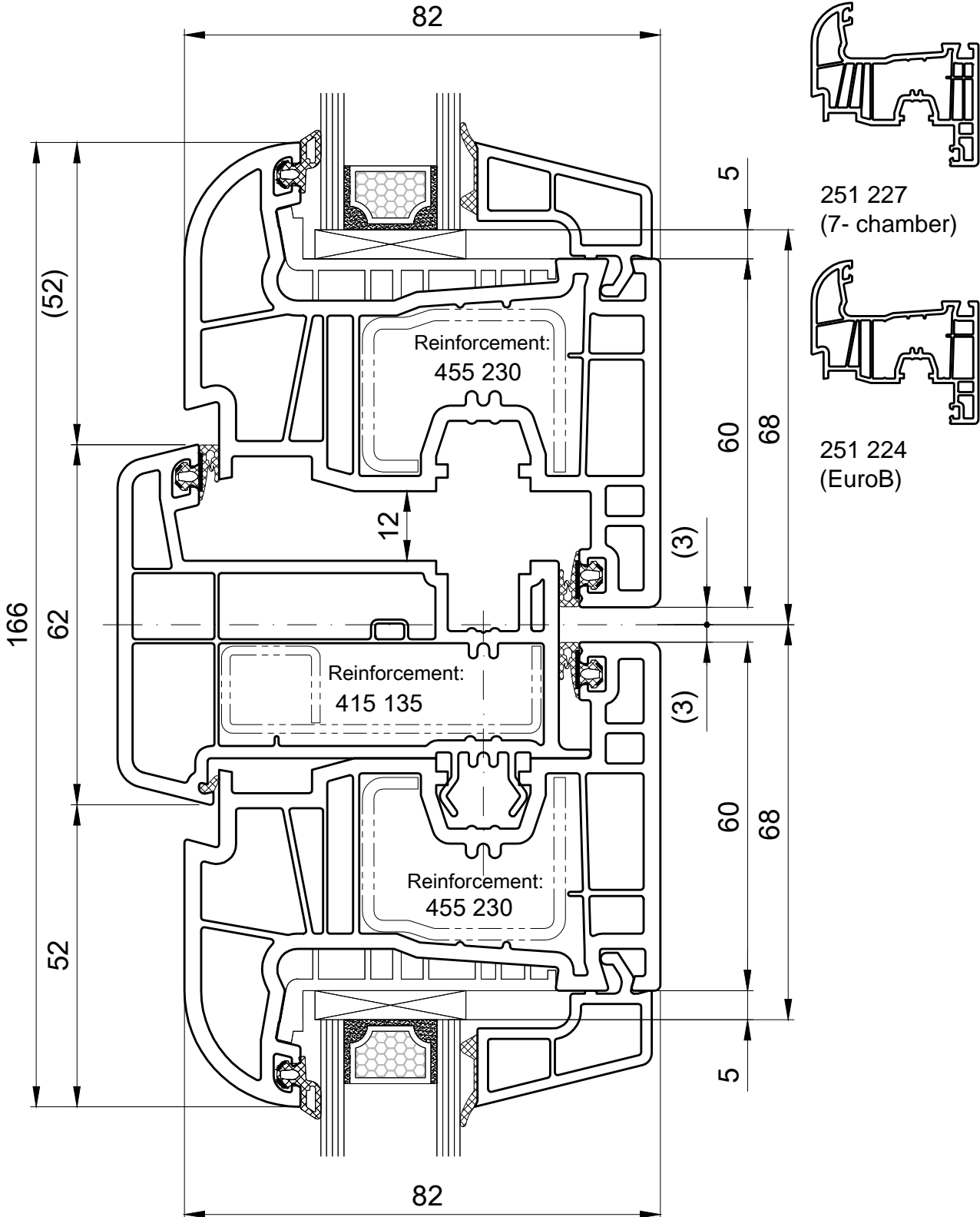
Overlap
256 030

Casement
251 226

ST 04
04.12

Casement cut (width)
at 250 220 = (RAM:2) - 43 mm
at 250 230 = (RAM:2) - 60 mm
at 250 240 = (RAM:2) - 85 mm

Overlap profile cut (altitude)
256 030 = FAM - 80 mm
Cover up for 257 030



Seal with permanently elastic, neutrally bonding sealant, suitable for PVC and galvanised steel.

Scale 1:1 (not to scale) (or depending on print-out)

Issue: 01/2012

Overlap

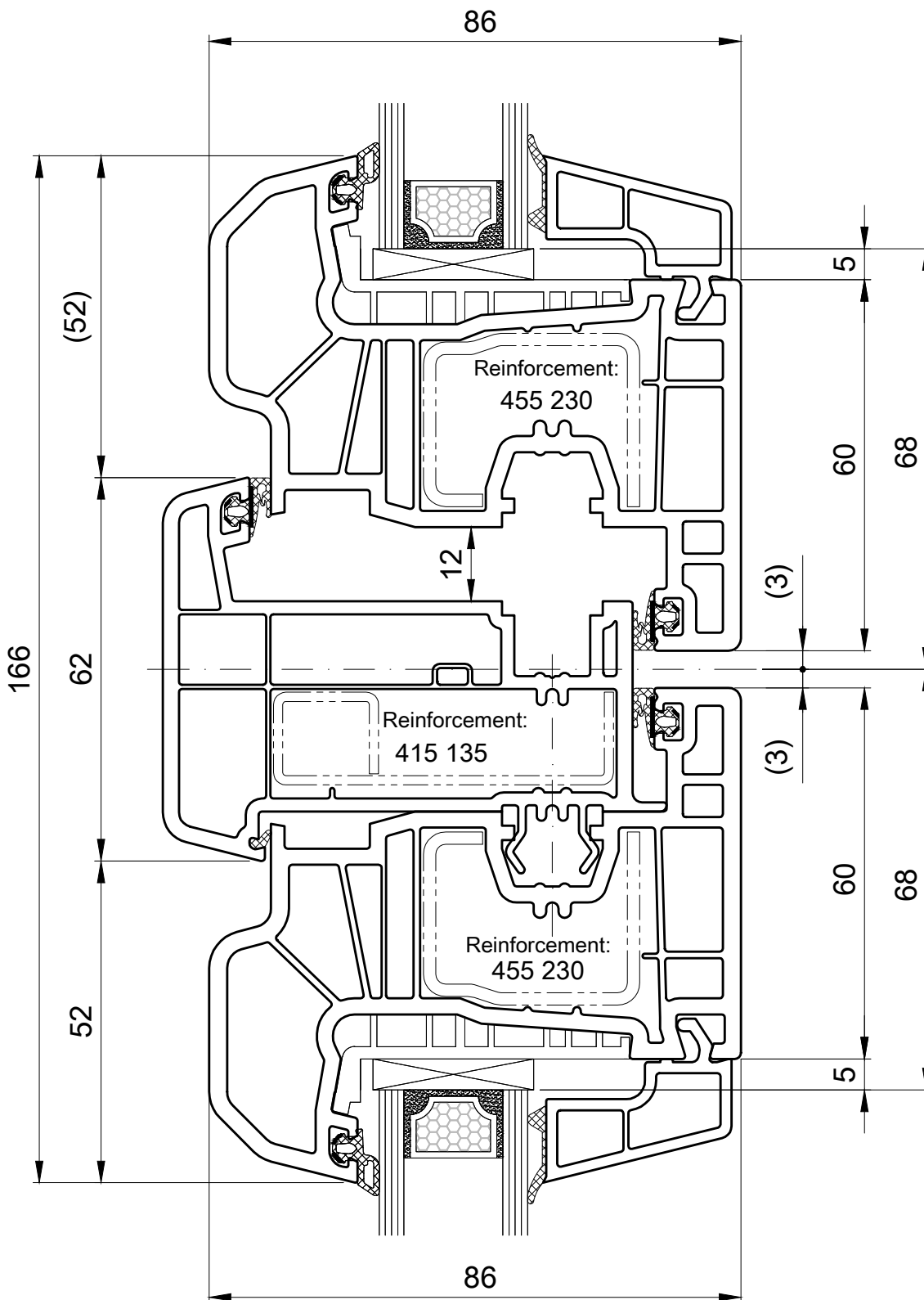
Overlap
256 030

Casement
251 365

ST 04
04.13

Casement cut (width)
at 250 220 = (RAM:2) - 43 mm
at 250 230 = (RAM:2) - 60 mm
at 250 240 = (RAM:2) - 85 mm

Overlap profile cut (altitude)
256 030 = FAM - 80 mm
Cover up for 257 030



Seal with permanently elastic, neutrally bonding sealant, suitable for PVC and galvanised steel.

Scale 1:1 (or depending on print-out)

Issue: 01/2012

Overlap

Overlap
256 030

Casement
251 030

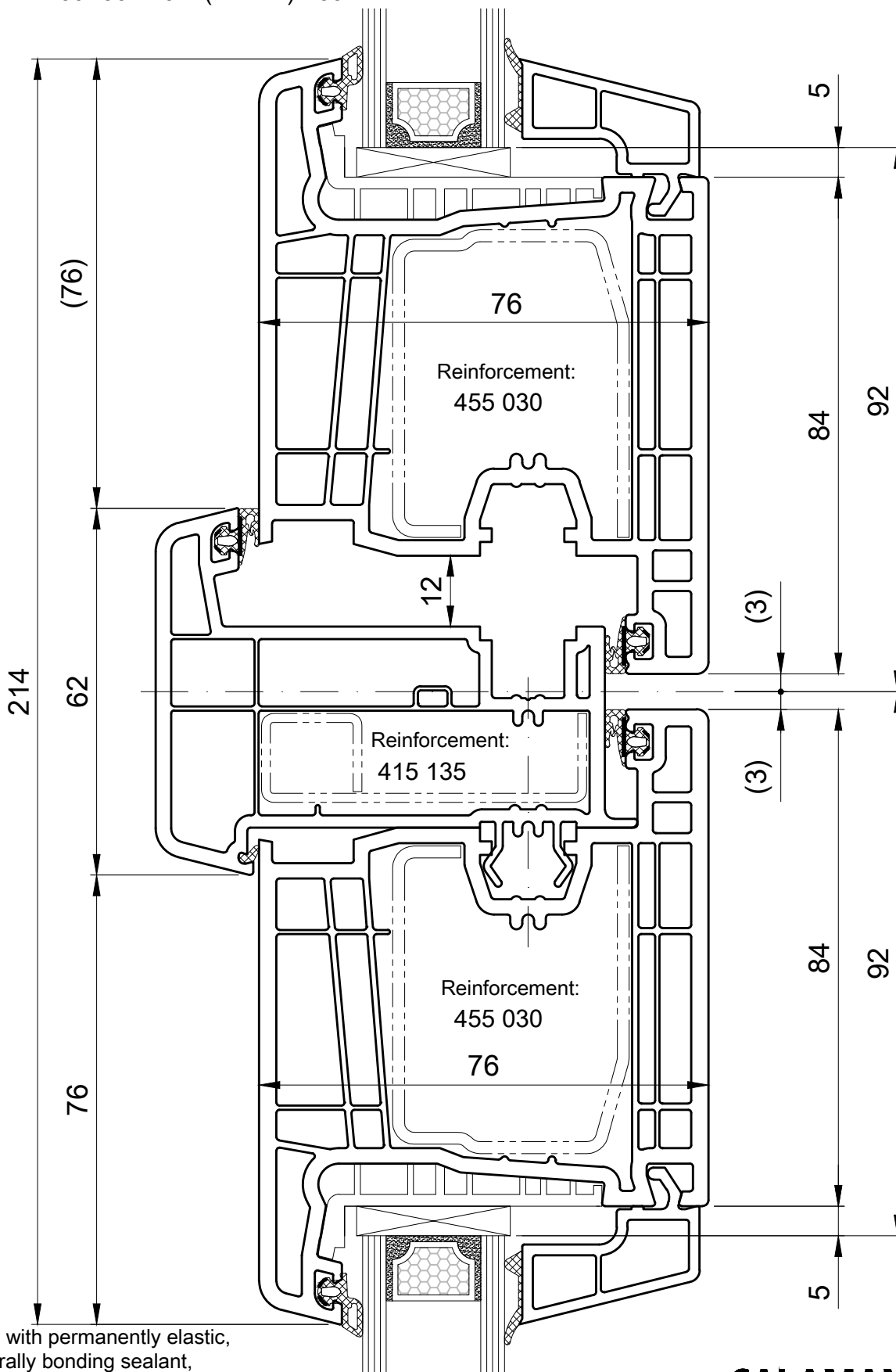
ST 04
04.14

Casement cut (width)

at 250 220 = (RAM:2) - 43 mm
at 250 230 = (RAM:2) - 60 mm
at 250 240 = (RAM:2) - 85 mm

Overlap profile cut (altitude)

256 030 = FAM - 80 mm
Cover up for 257 030



Seal with permanently elastic, neutrally bonding sealant, suitable for PVC and galvanised steel.
Scale 1:1 (or depending on print-out)

Issue: 01/2012

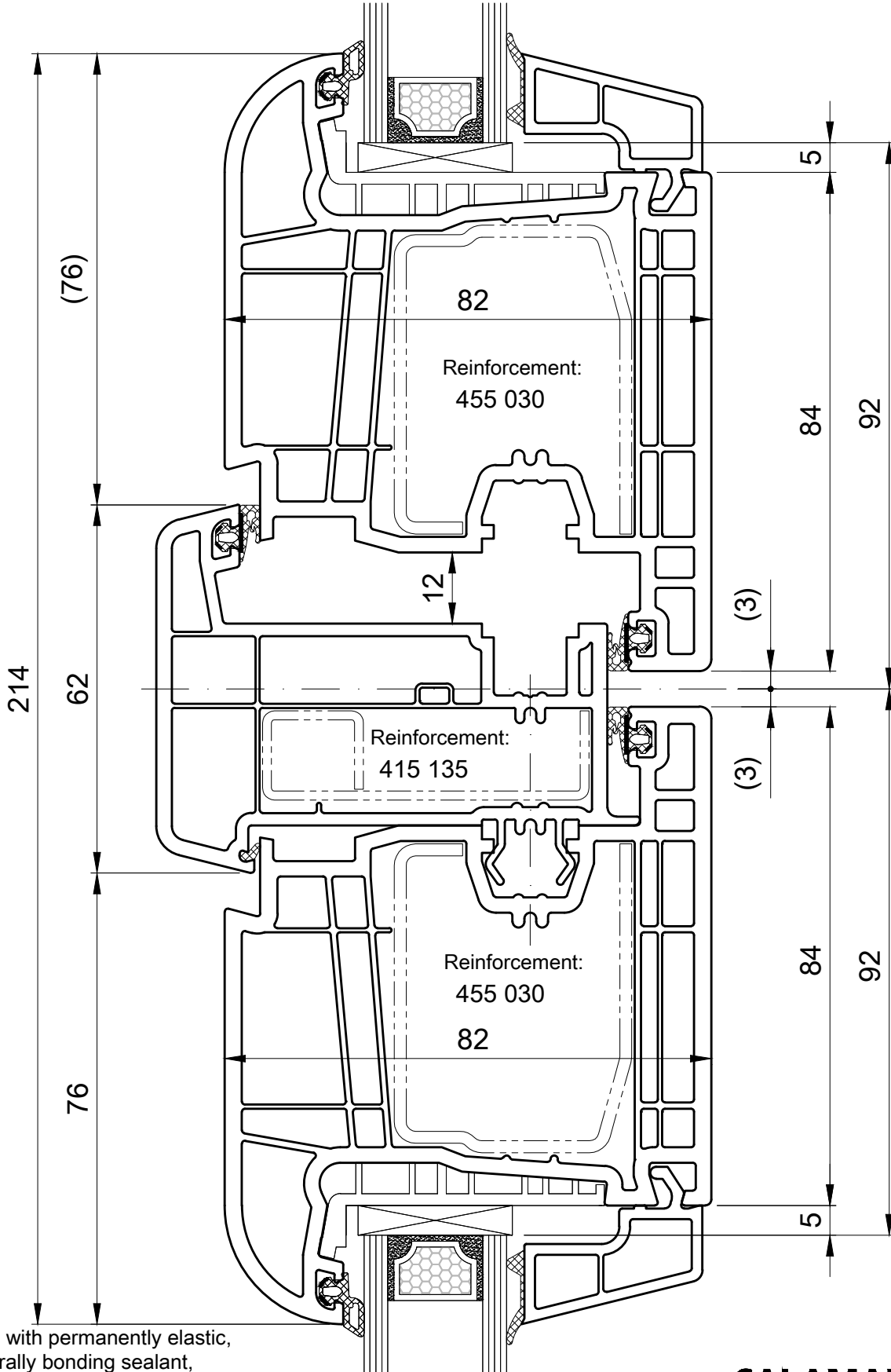
Overlap

Overlap	Casement
256 030	251 236

ST 04
04.15

Casement cut (width)
 at 250 220 = (RAM:2) - 43 mm
 at 250 230 = (RAM:2) - 60 mm
 at 250 240 = (RAM:2) - 85 mm

Overlap profile cut (altitude)
 256 030 = FAM - 80 mm
 Cover up for 257 030



Seal with permanently elastic, neutrally bonding sealant, suitable for PVC and galvanised steel.

Scale 1:1 (or depending on print-out)

Issue: 01/2012

Overlap

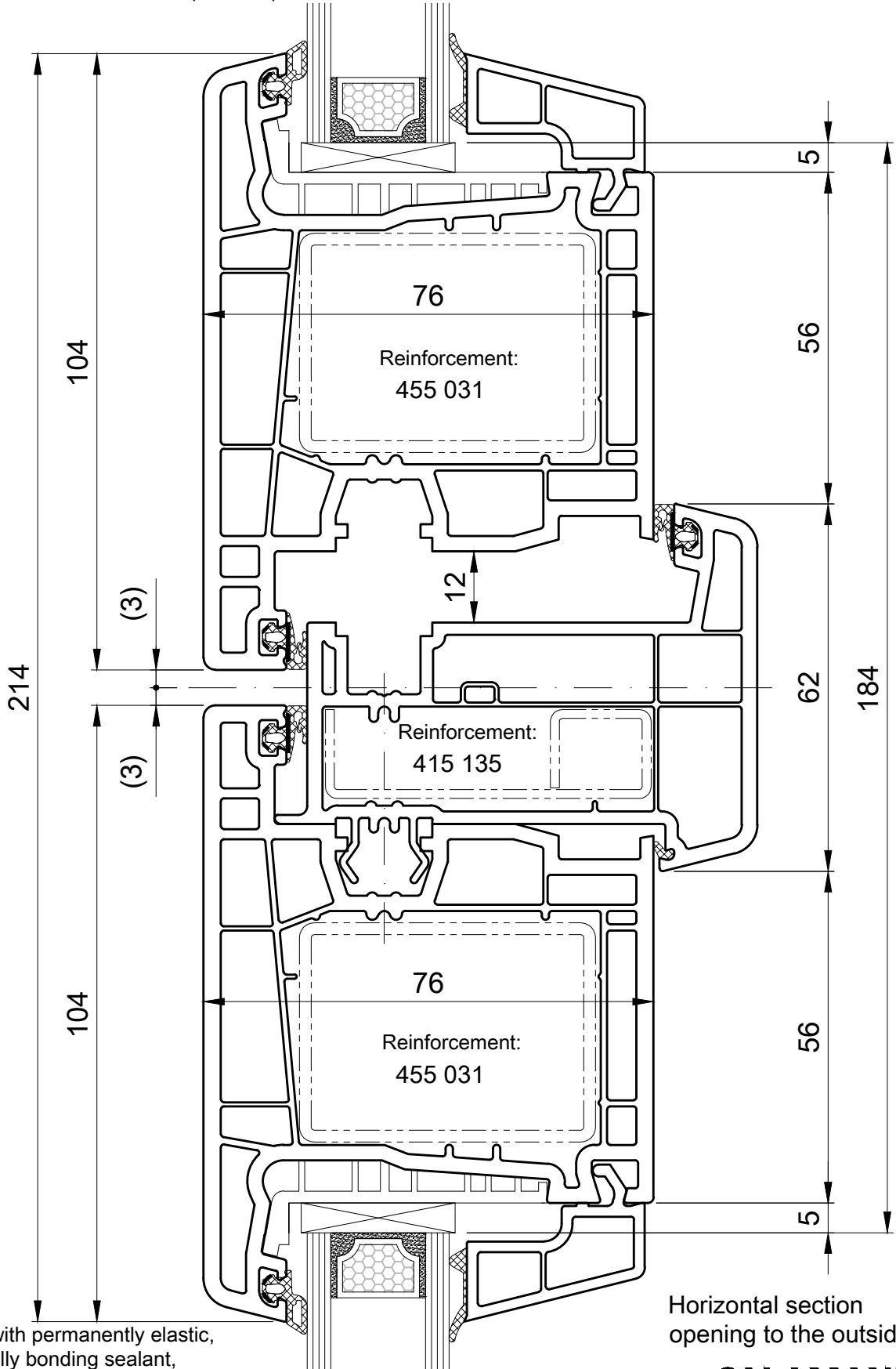
Overlap
256 030

Casement
351 030

ST 04
04.16

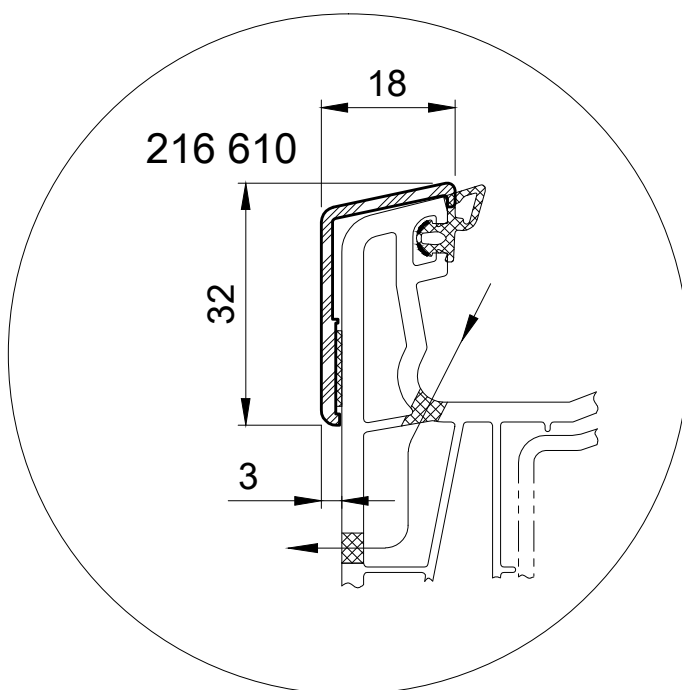
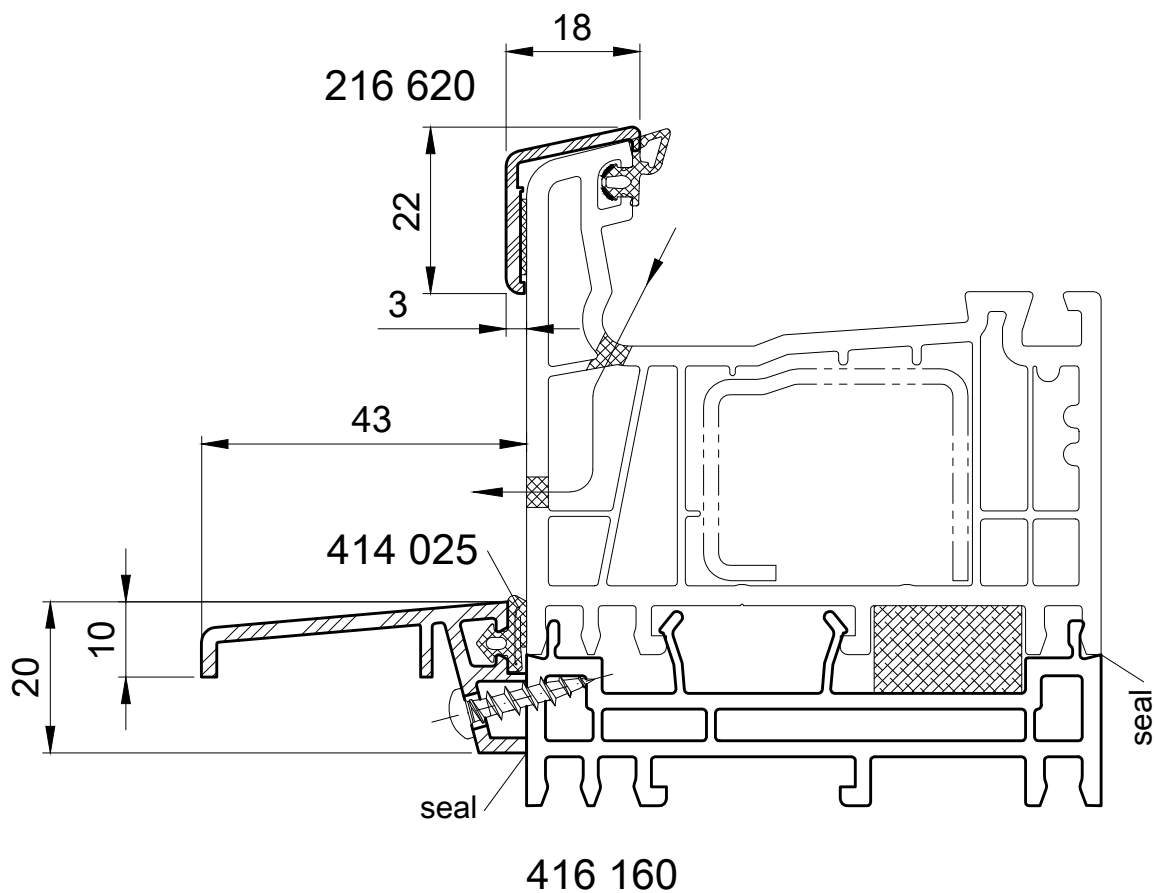
Casement cut (width)
at 250 220 = (RAM:2) - 43 mm
at 250 230 = (RAM:2) - 60 mm
at 250 240 = (RAM:2) - 85 mm

Overlap profile cut (altitude)
256 030 = FAM - 80 mm
Cover up for 257 030



Seal with permanently elastic, neutrally bonding sealant, suitable for PVC and galvanised steel.
Scale 1:1 (or depending on print-out)

Issue: 01/2012



Precompressed
gasket strip

Seal with permanently elastic, neutrally bonding sealant,
suitable for PVC and galvanised steel.

Scale 1:1 (or depending on print-out)

Issue: 01/2012

Step protection

Step protection

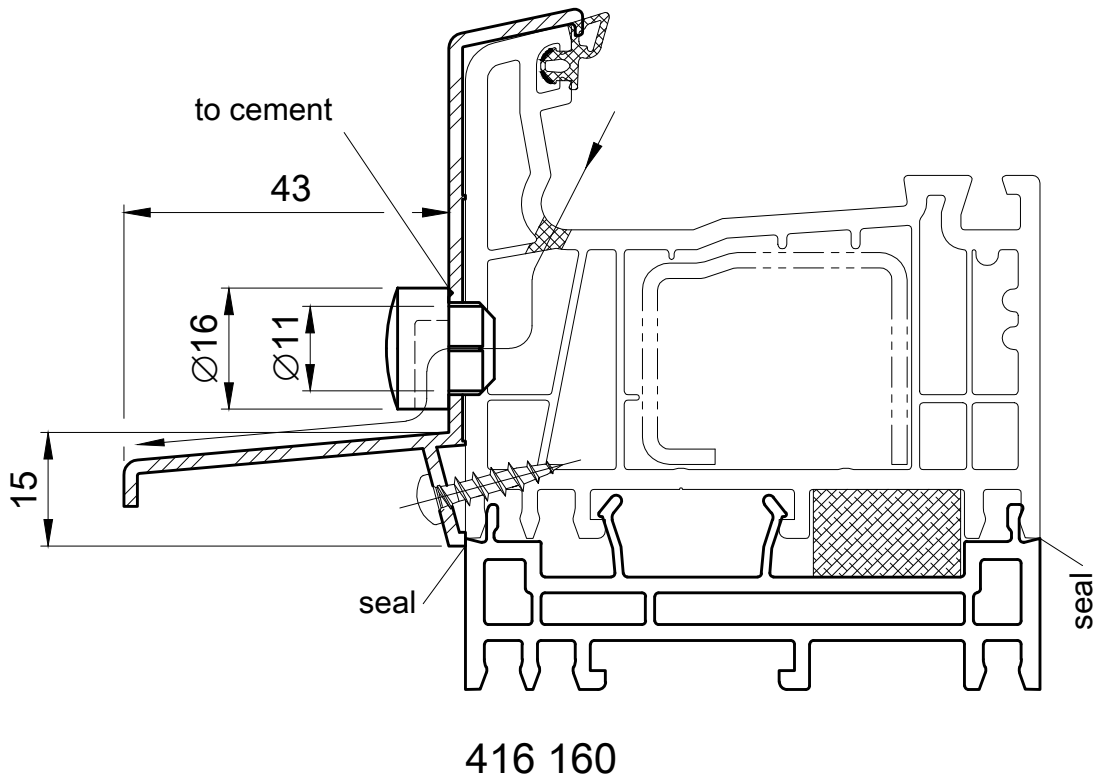
216 615

Tube cap

407 025

ST 04

05.2

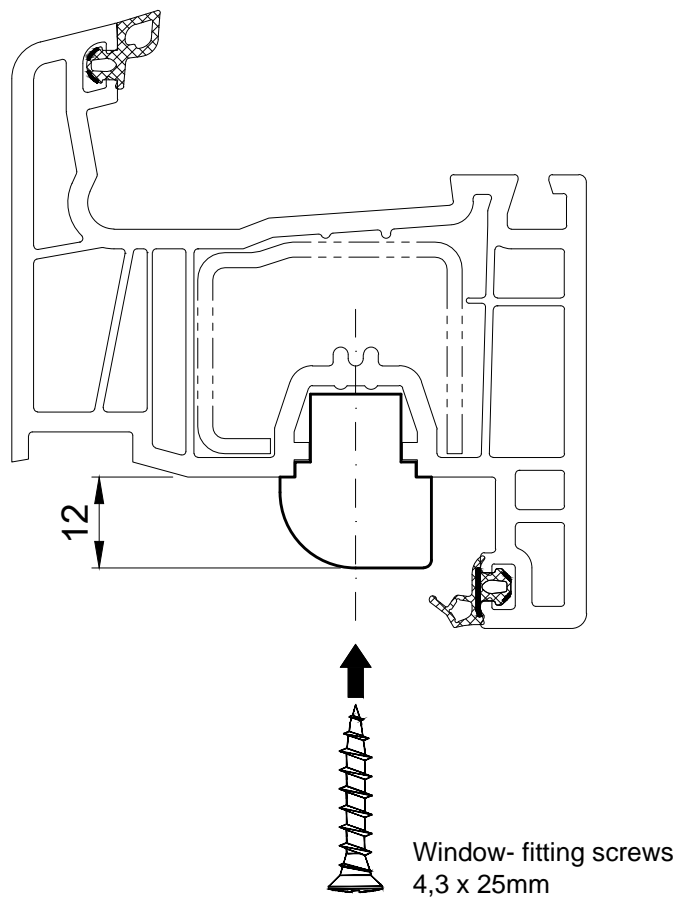
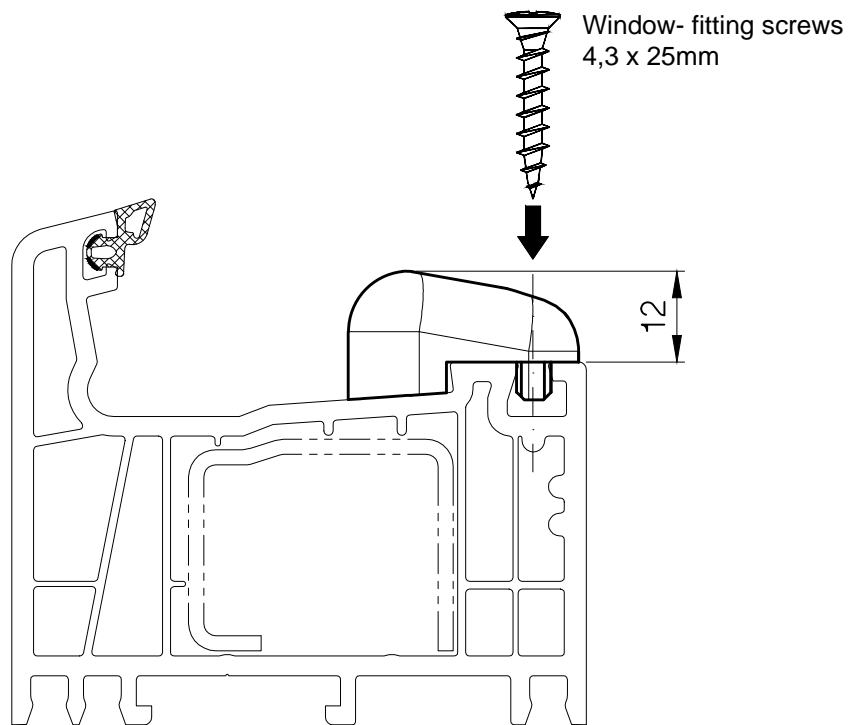


Precompressed
gasket strip

Seal with permanently elastic, neutrally bonding sealant,
suitable for PVC and galvanised steel.

Scale 1:1 (or depending on print-out)

Issue: 01/2012

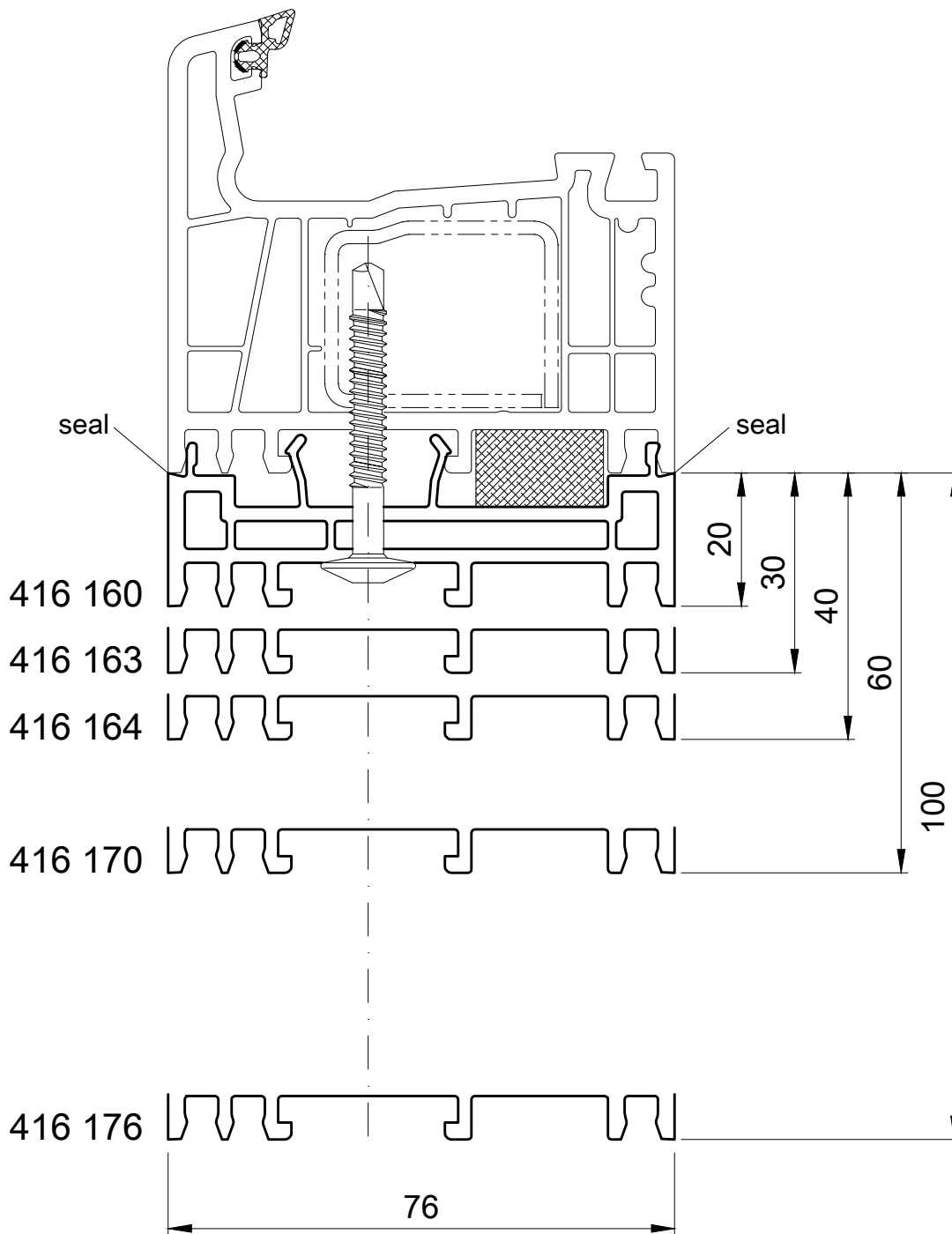


Extension profile

Extension profile
 416 160, 416 163, 416 164, 416 170, 416 176

ST 04

7.1



Precompressed
 gasket strip

Seal with permanently elastic, neutrally bonding sealant,
 suitable for PVC and galvanised steel.

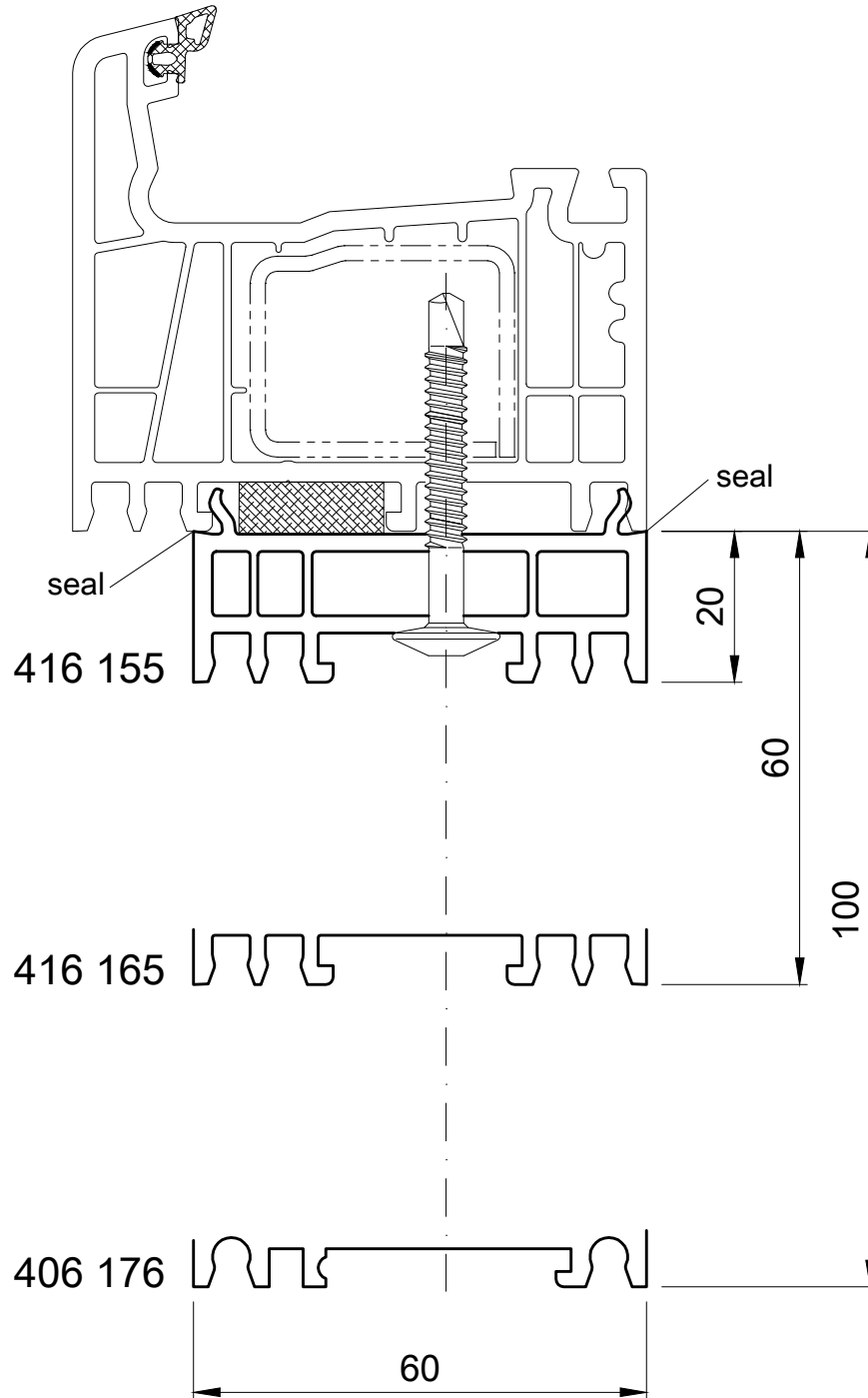
Scale 1:1 (or depending on print-out)

Issue: 01/2012

Extension profile

Extension profile
416 155, 416 165, 406 176

ST 04
7.2

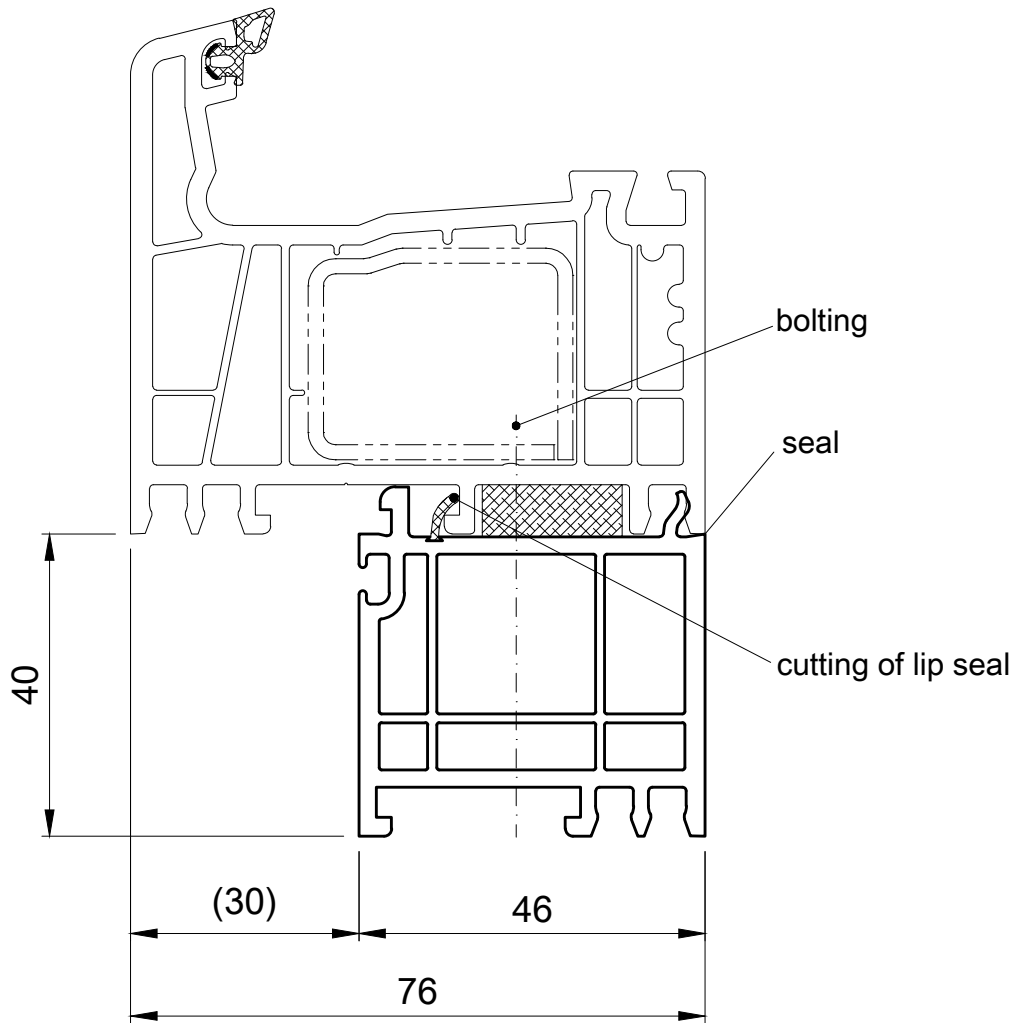


Precompressed
gasket strip

Seal with permanently elastic, neutrally bonding sealant,
suitable for PVC and galvanised steel.

Scale 1:1 (or depending on print-out)

Issue: 01/2012

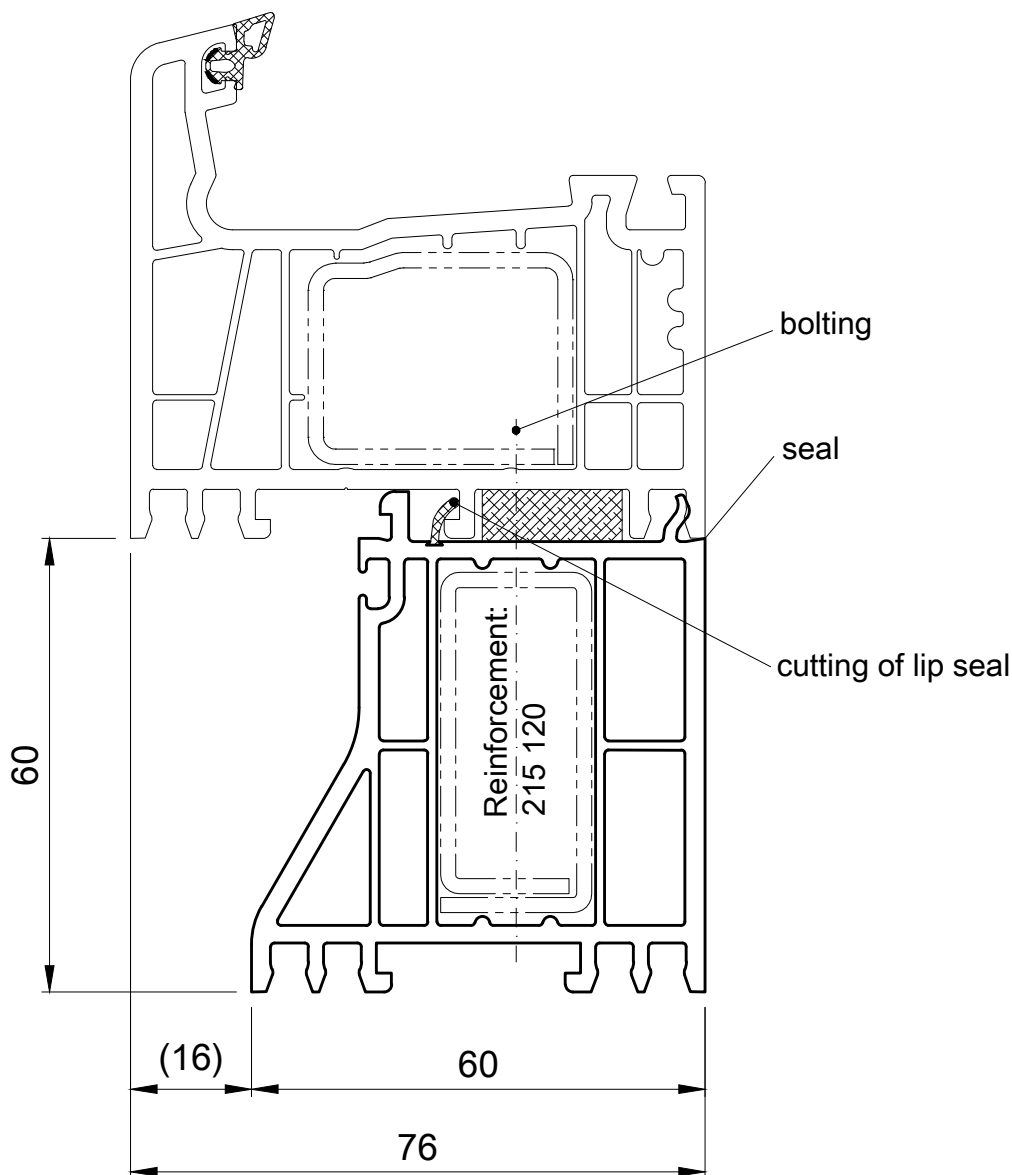


Precompressed gasket strip

Seal with permanently elastic, neutrally bonding sealant, suitable for PVC and galvanised steel.

Scale 1:1 (or depending on print-out)

Issue: 01/2012



Precompressed gasket strip

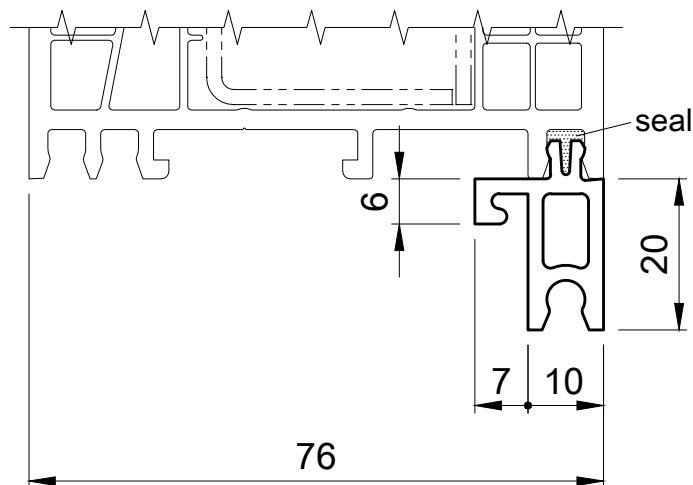
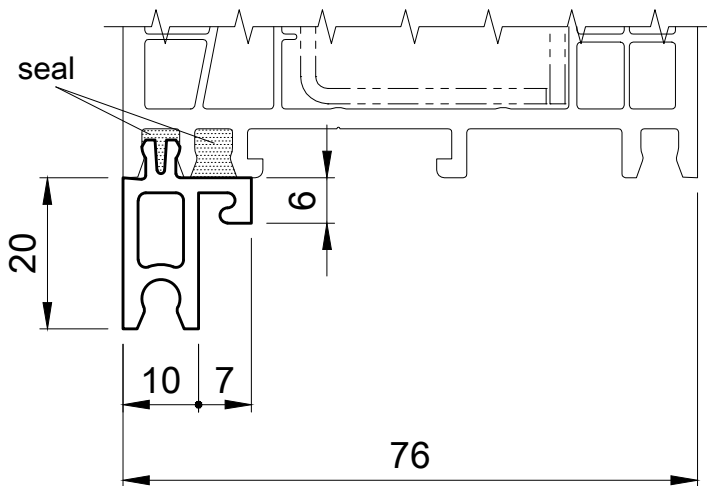
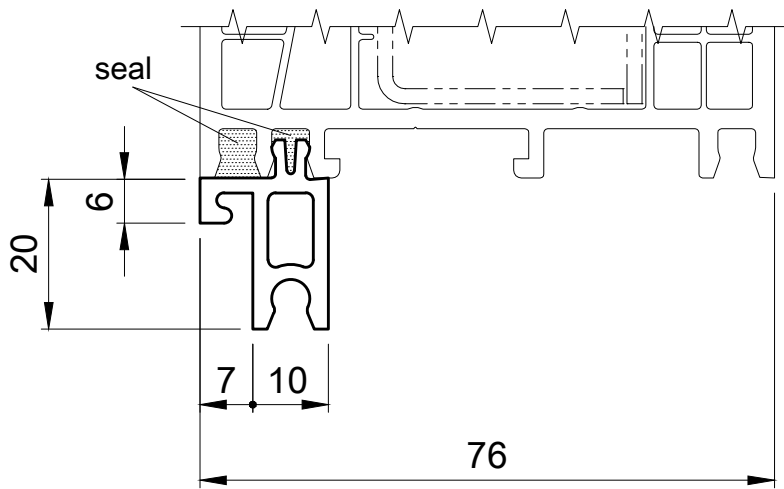
Seal with permanently elastic, neutrally bonding sealant, suitable for PVC and galvanised steel.

Scale 1:1 (or depending on print-out)

Issue: 01/2012

Sill profiles
406 105

ST 04
08.1



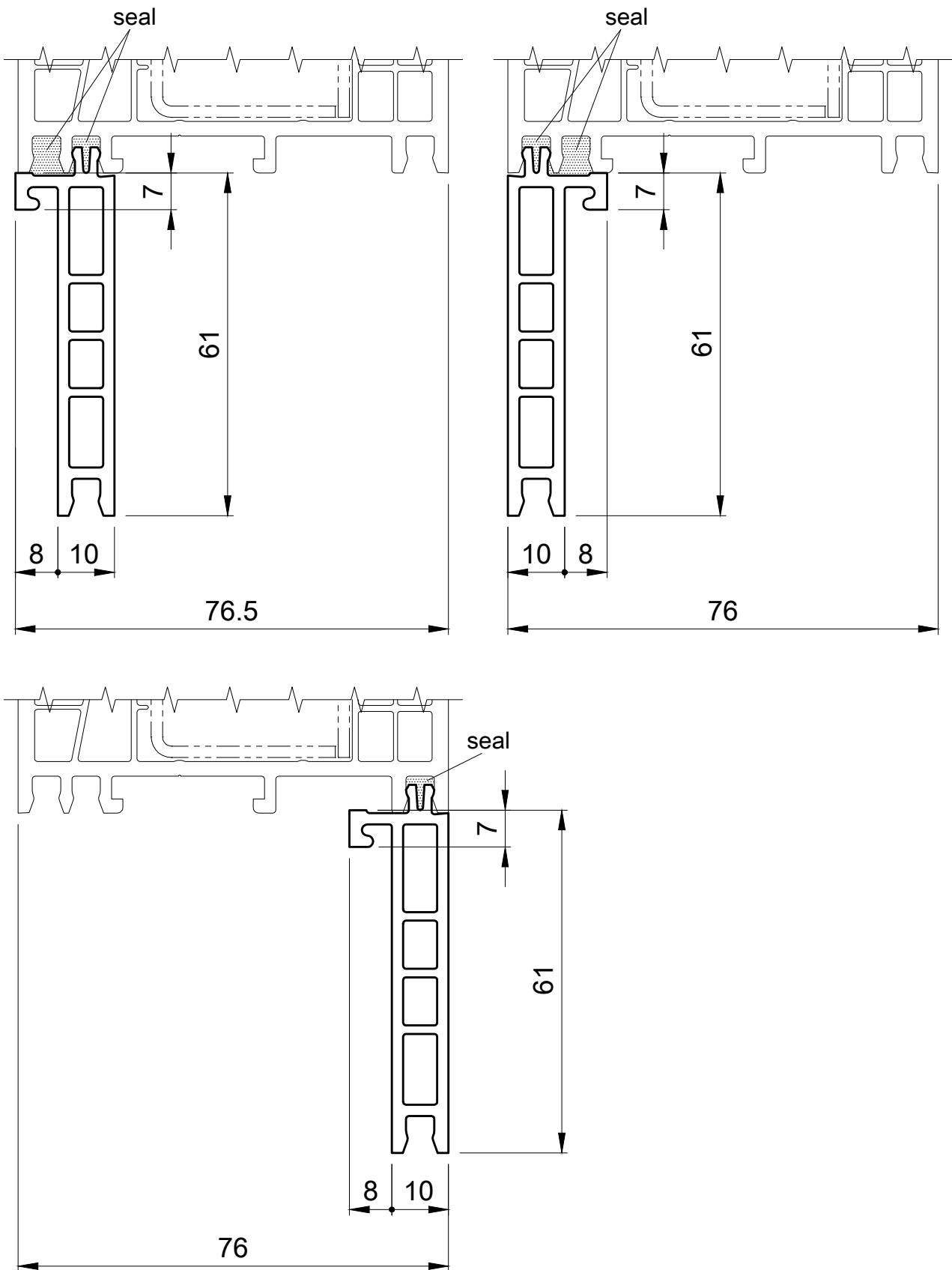
Seal with permanently elastic, neutrally bonding sealant, suitable for PVC and galvanised steel.

Scale 1:1 (or depending on print-out)

Issue: 01/2012

Sill profiles
406 157

ST 04
08.2

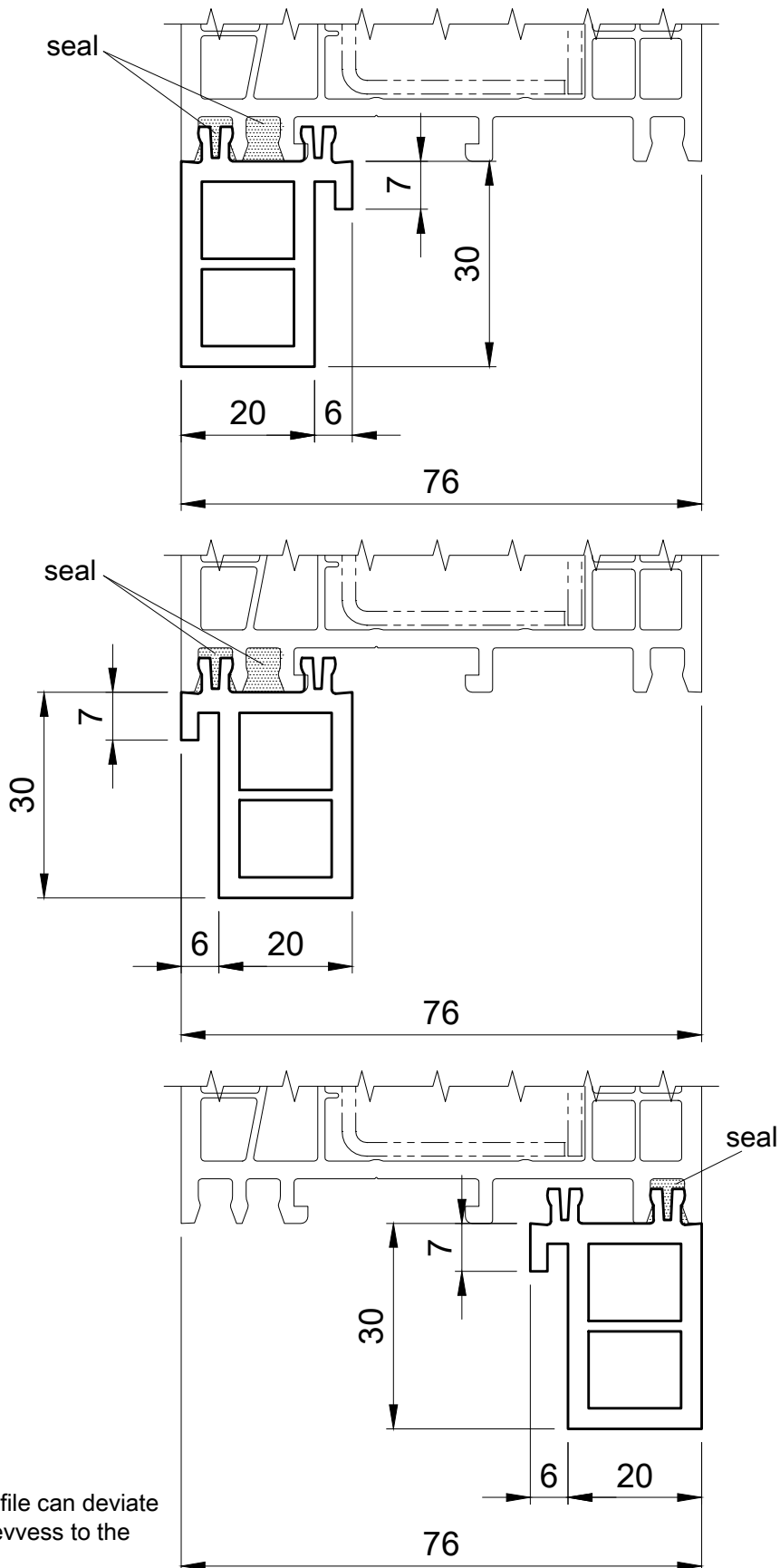


Note: Profile can deviate in the evenness to the frame

Seal with permanently elastic, neutrally bonding sealant, suitable for PVC and galvanised steel.

Scale 1:1 (or depending on print-out)

Issue: 01/2012

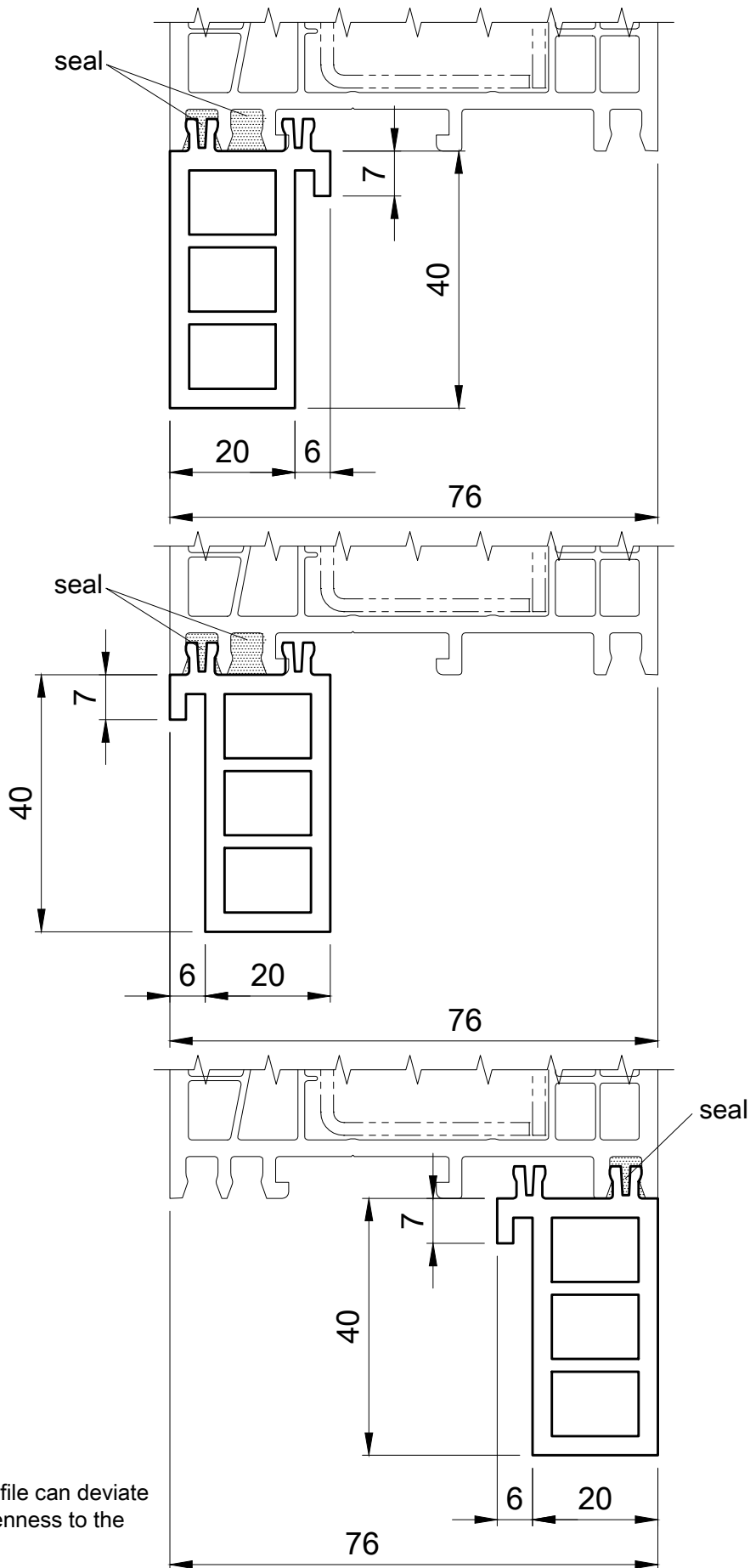


Note: Profile can deviate in the evevess to the frame

Seal with permanently elastic, neutrally bonding sealant, suitable for PVC and galvanised steel.

Scale 1:1 (or depending on print-out)

Issue: 01/2012



Note: Profile can deviate in the evenness to the frame

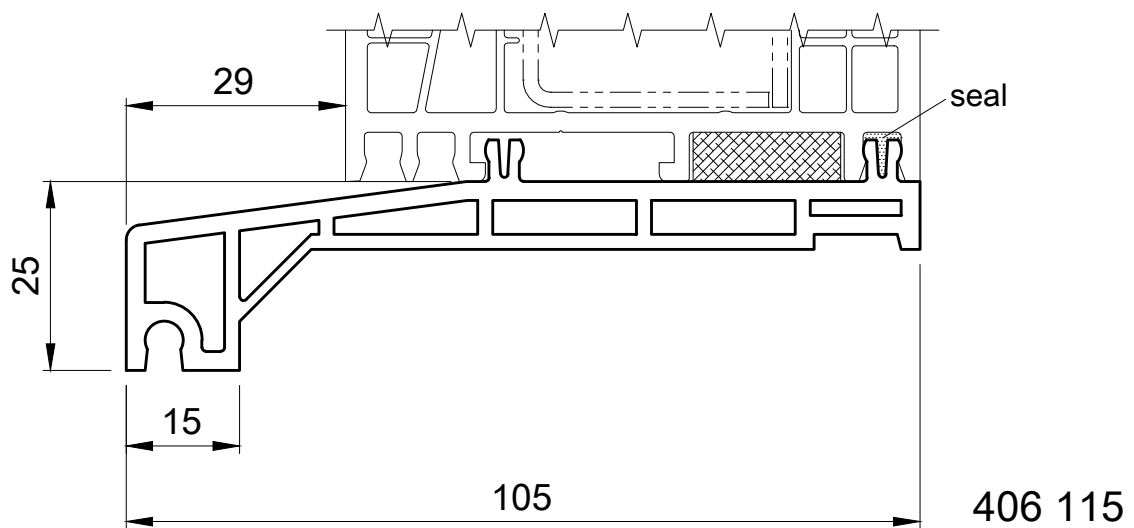
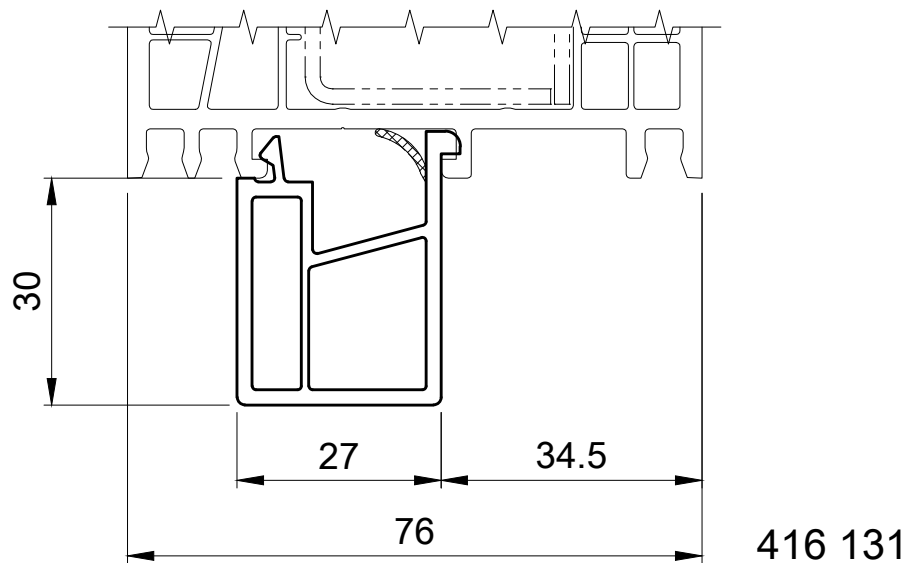
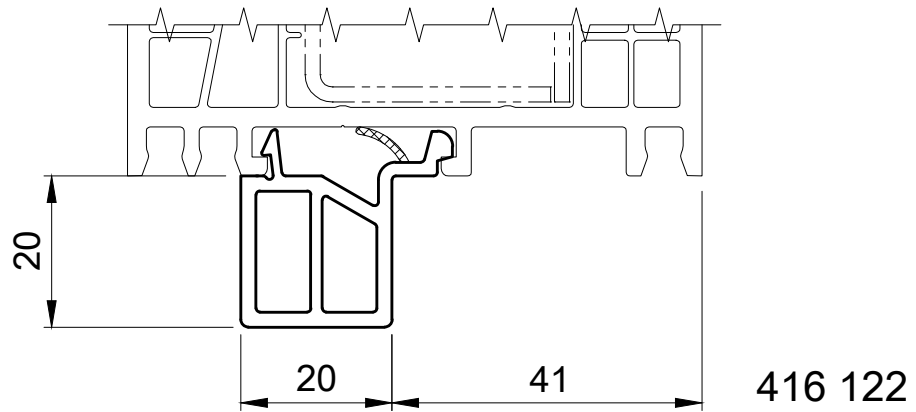
Seal with permanently elastic, neutrally bonding sealant, suitable for PVC and galvanised steel.

Scale 1:1 (or depending on print-out)

Issue: 01/2012

Sill profiles
416 122, 416 131, 406 115

ST 04
08.5



Precompressed
gasket strip

Seal with permanently elastic, neutrally bonding sealant,
suitable for PVC and galvanised steel.

Scale 1:1 (or depending on print-out)

Issue: 01/2012

Sill profiles

Sill profiles

416 134

Fastening clamps

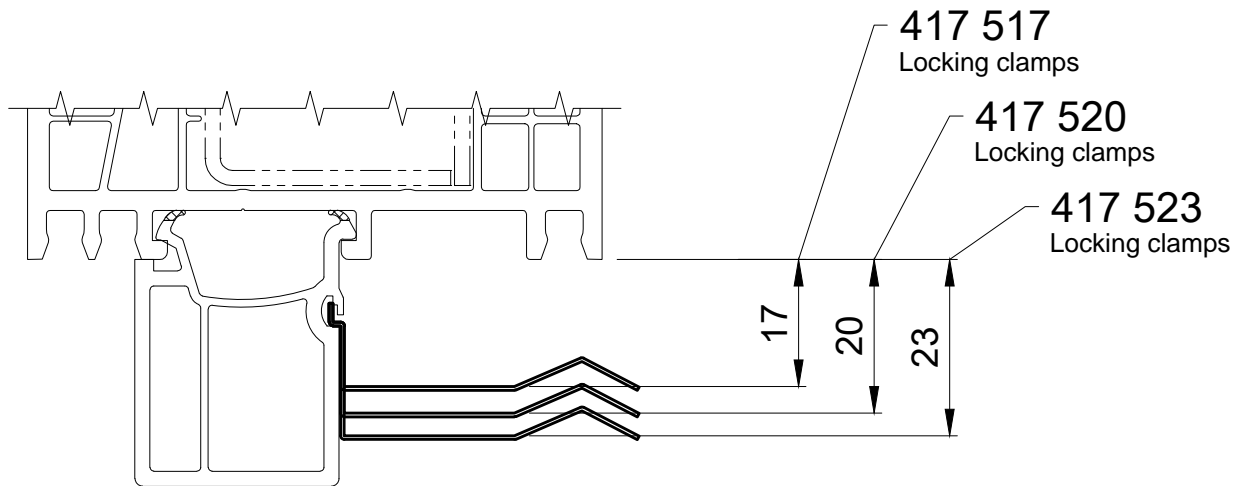
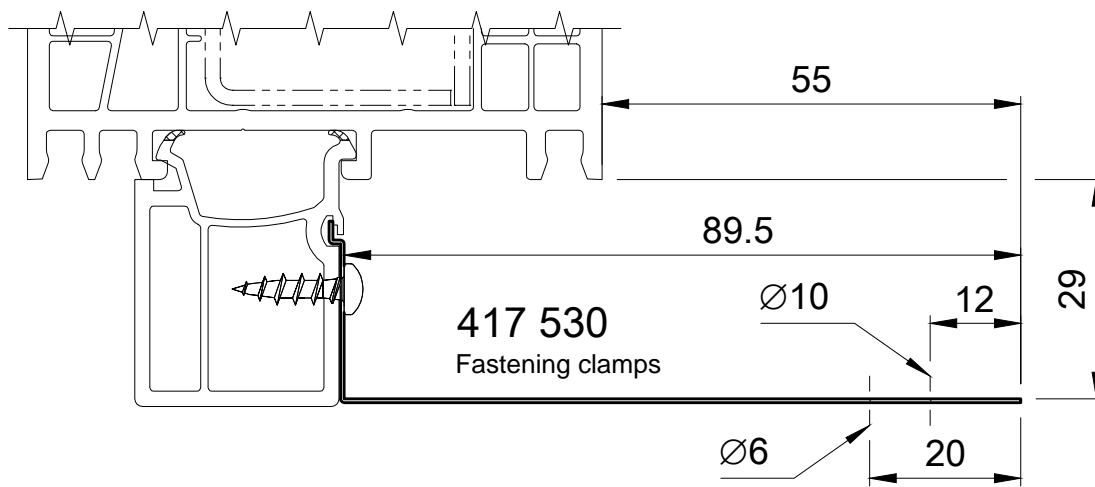
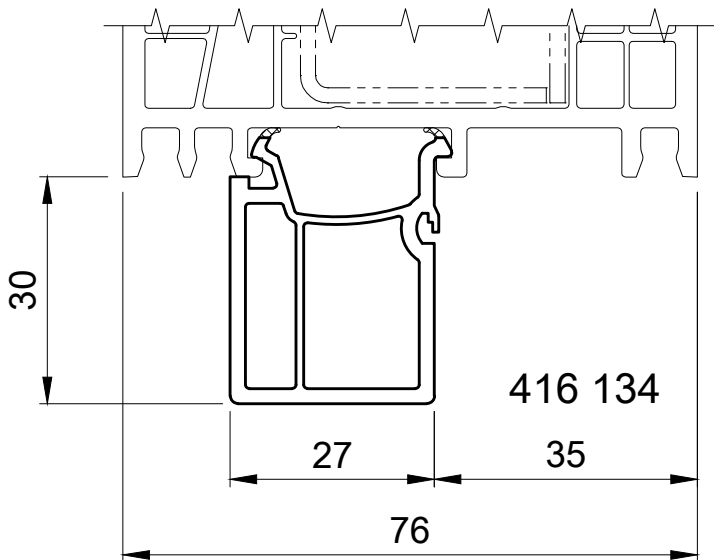
417 530

Locking clamps

417 517, 417 520, 417 523

ST 04

08.6



Sill profiles

Sill profiles

416 141

Fastening clamps

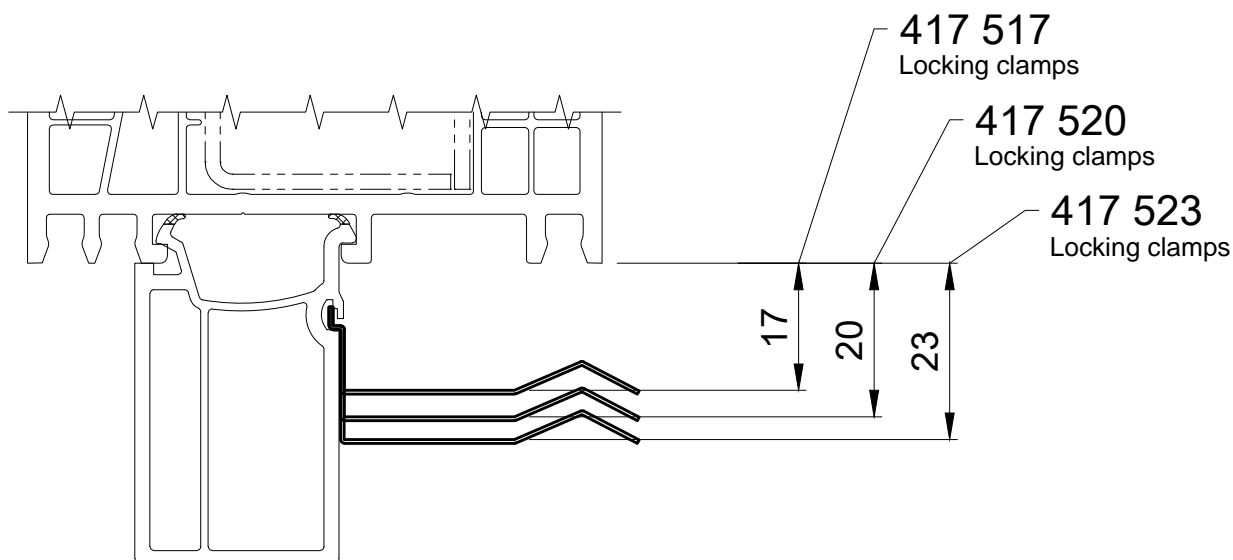
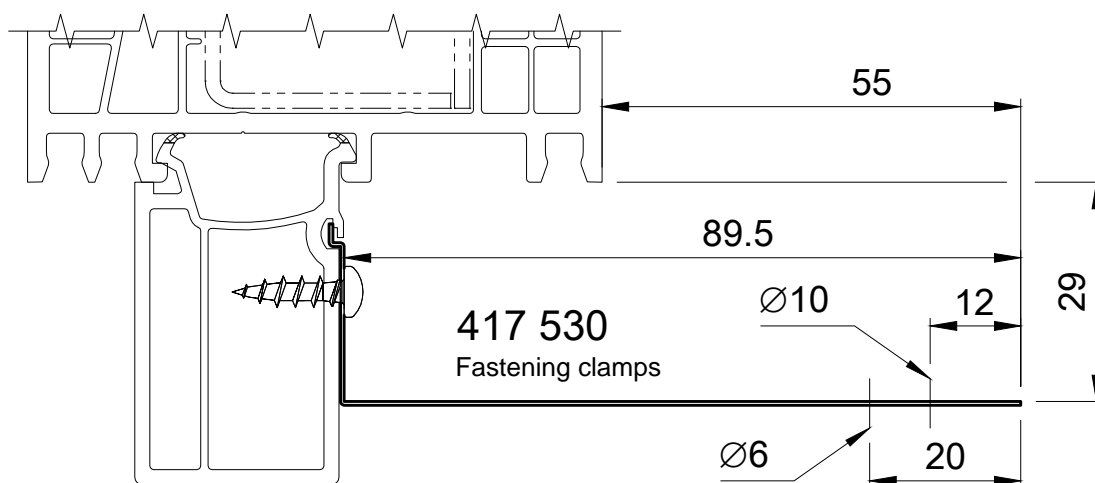
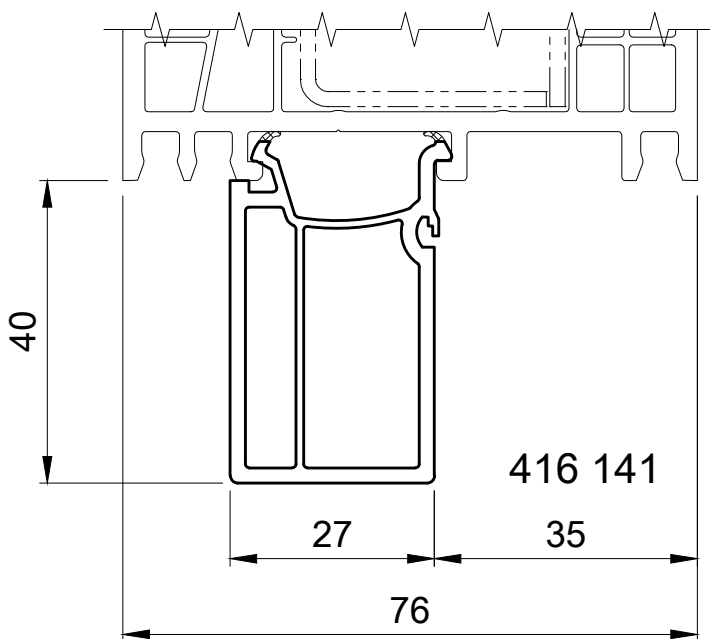
417 530

Locking clamps

417 517, 417 520, 417 523

ST 04

08.7



Sill profiles (5- chamber)

Sill profiles

416 100

Fastening clamps

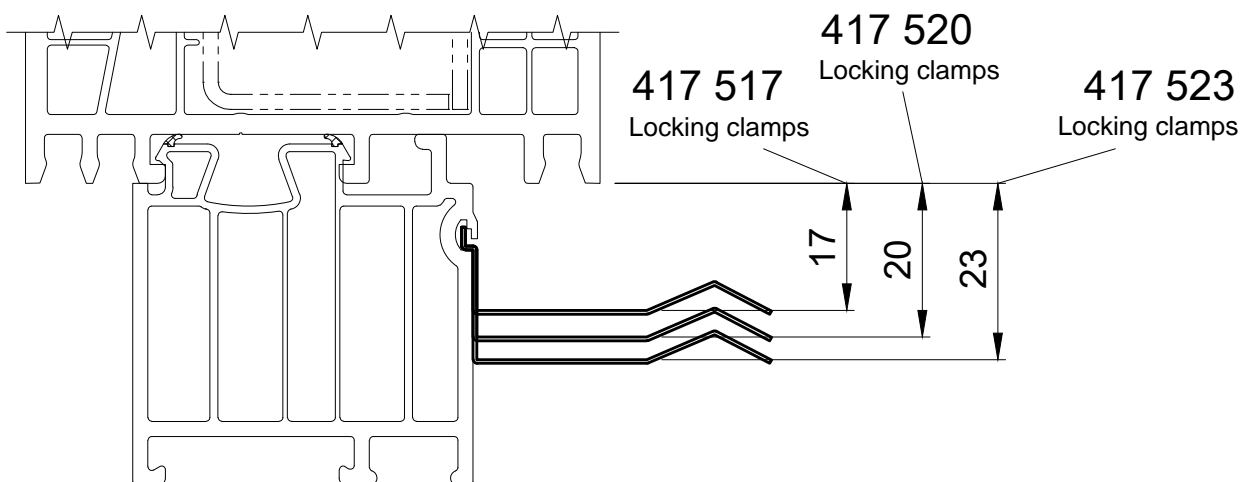
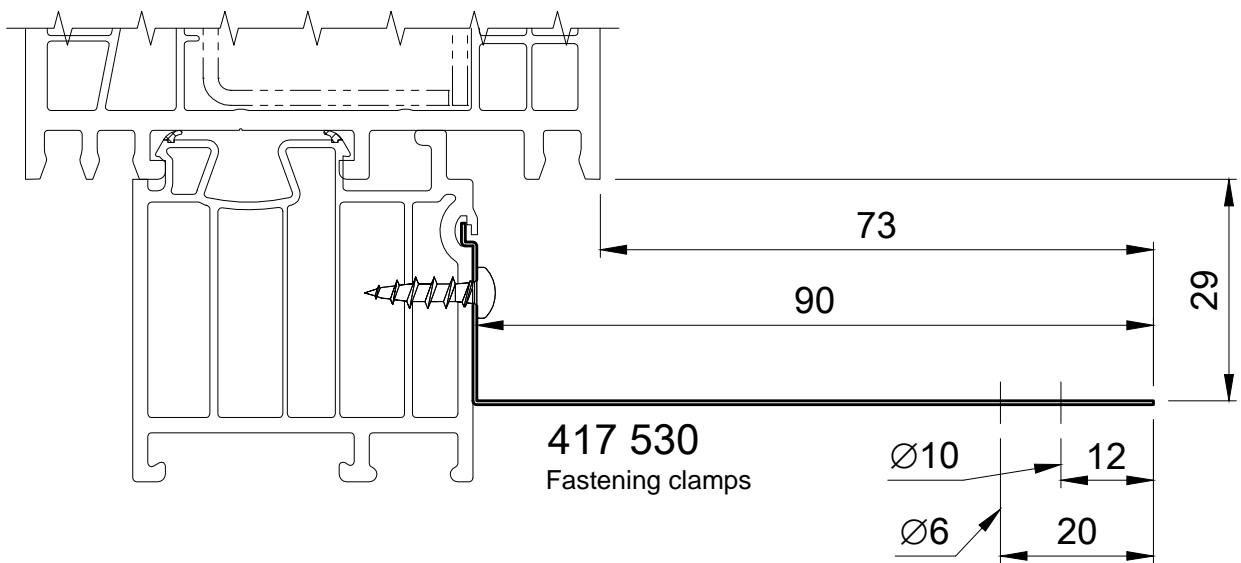
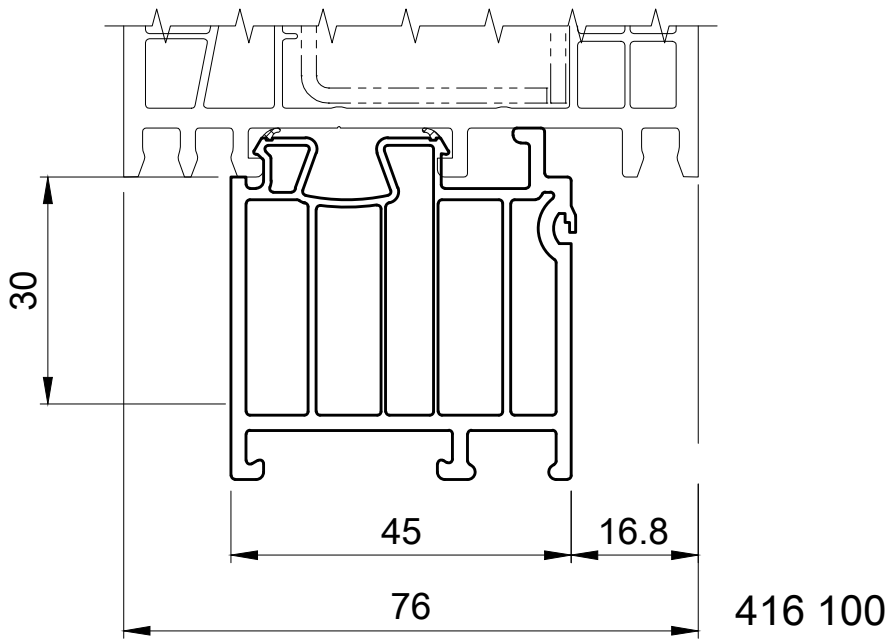
417 530

Locking clamps

417 517, 417 520, 417 523

ST 04

08.8



Stone bank profiles

Stone bank profiles

416 133

Fastening clamps

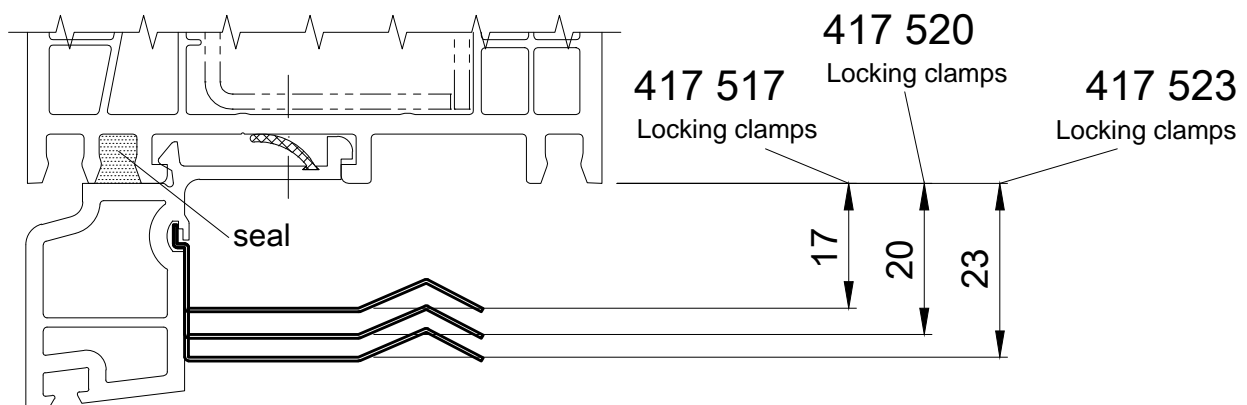
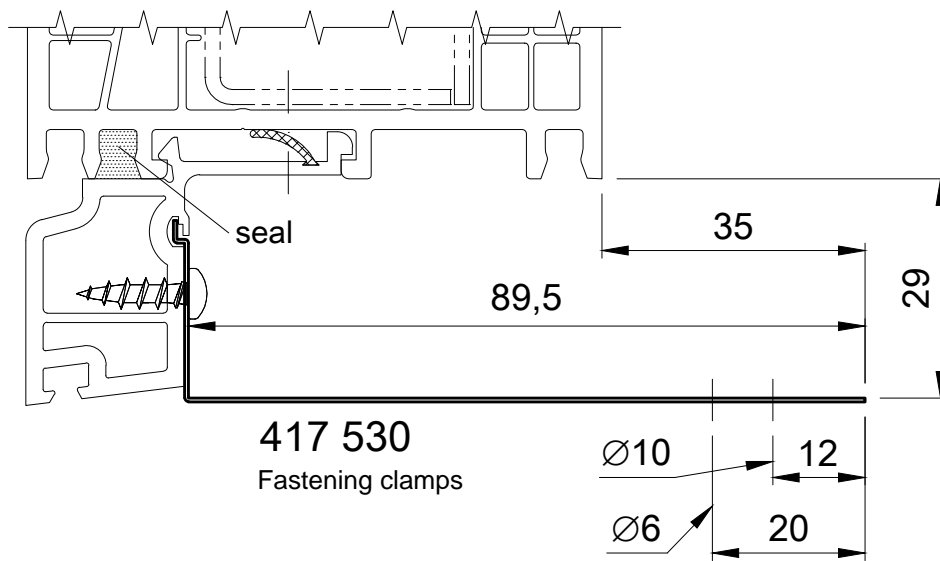
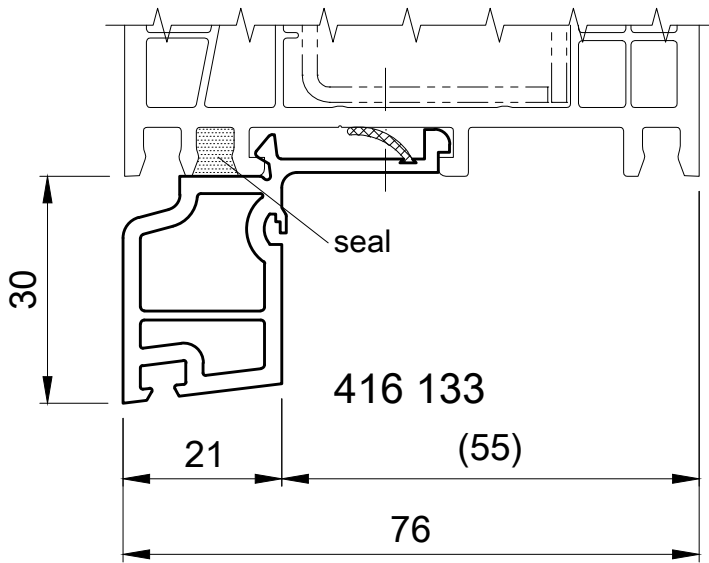
417 530

Locking clamps

417 517, 417 520, 417 523

ST 04

08.9



Seal with permanently elastic, neutrally bonding sealant, suitable for PVC and galvanised steel.

Scale 1:1 (or depending on print-out)

Issue: 01/2012

Stone bank profiles

Stone bank profiles

416 135

Fastening clamps

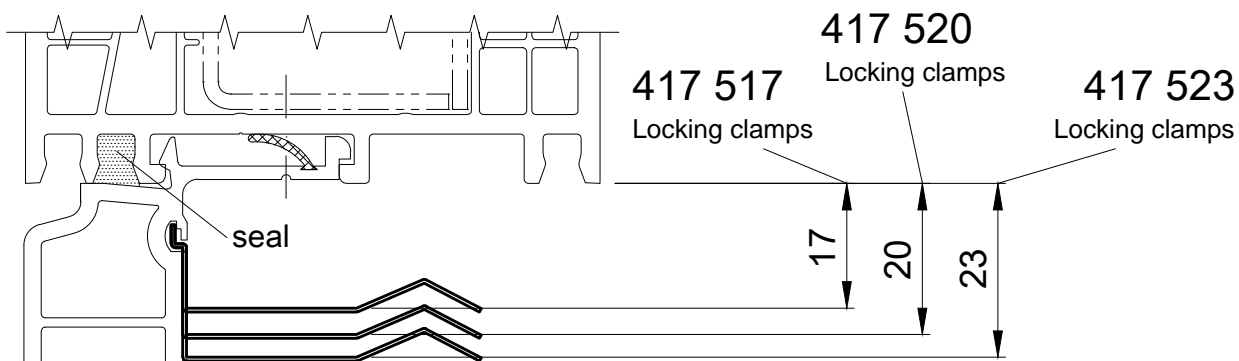
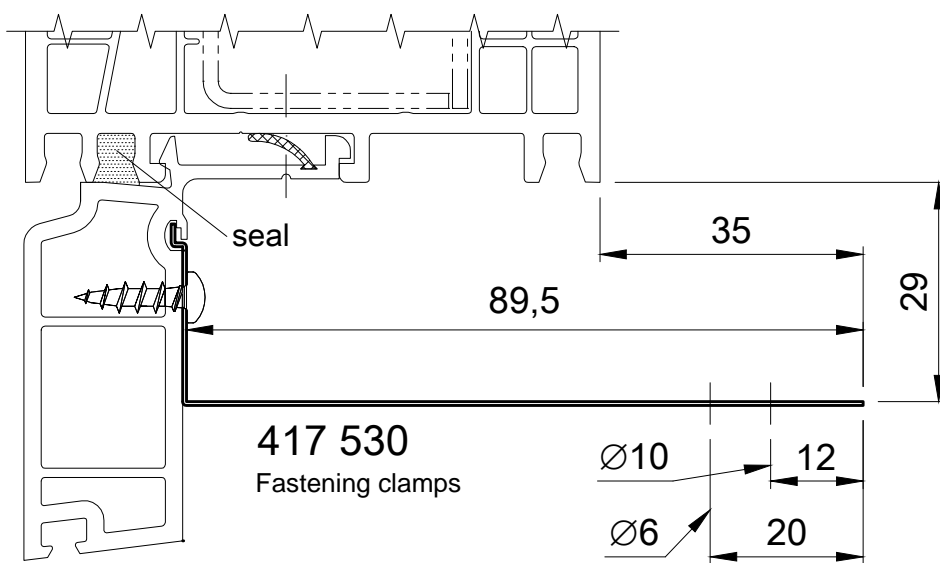
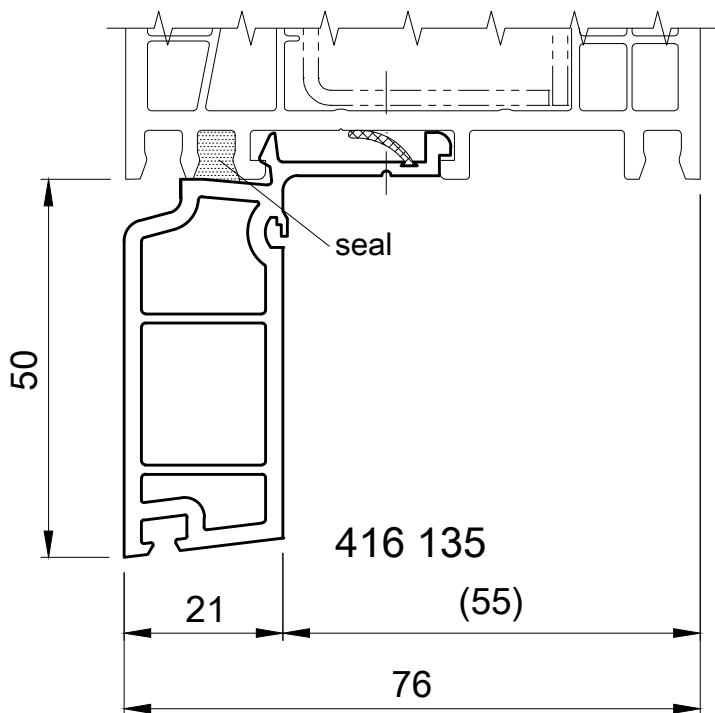
417 530

Locking clamps

417 517, 417 520, 417 523

ST 04

08.10



Note: Profile can deviate in the evenness to the frame

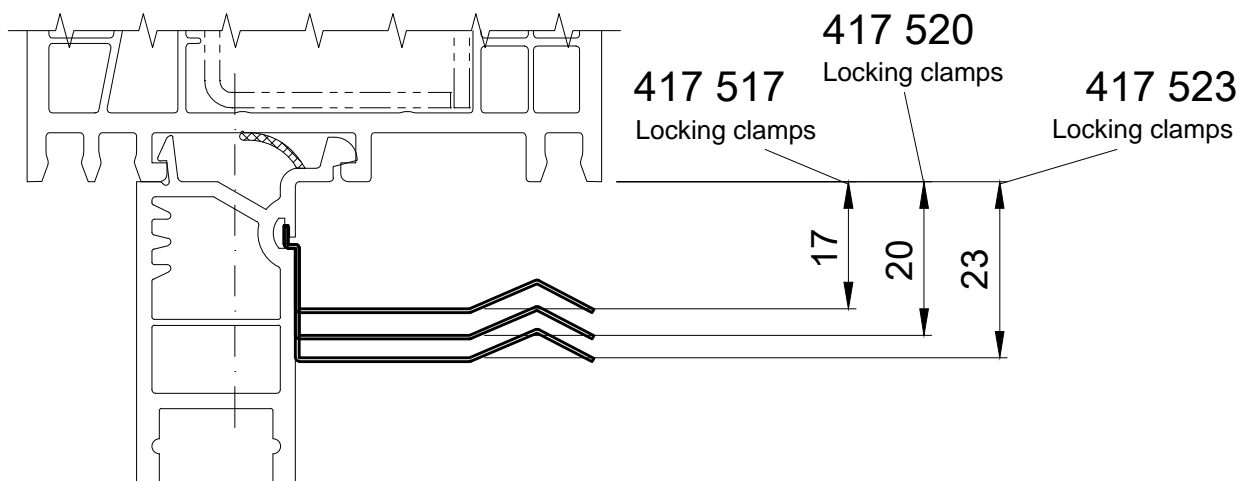
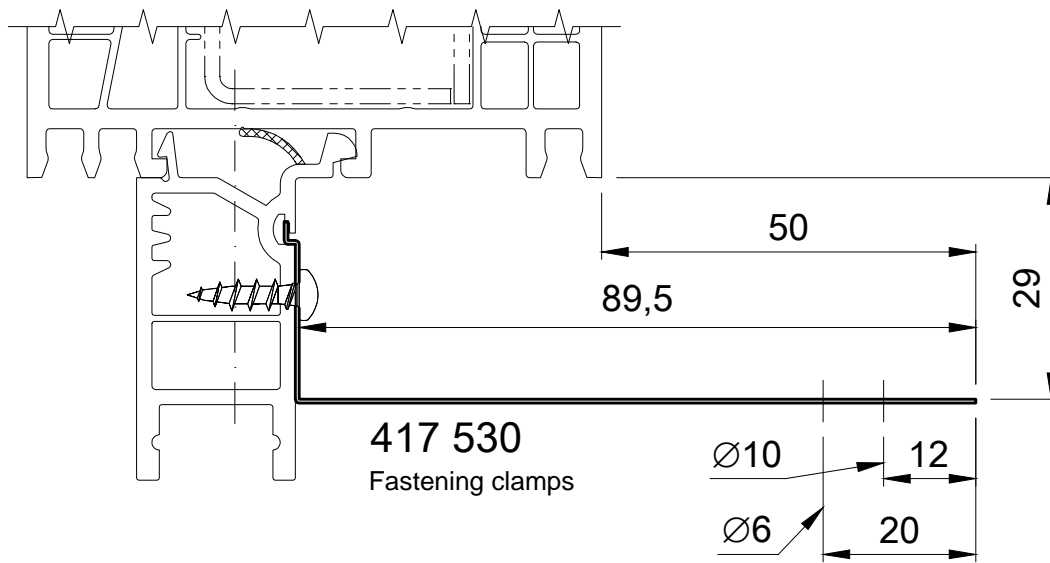
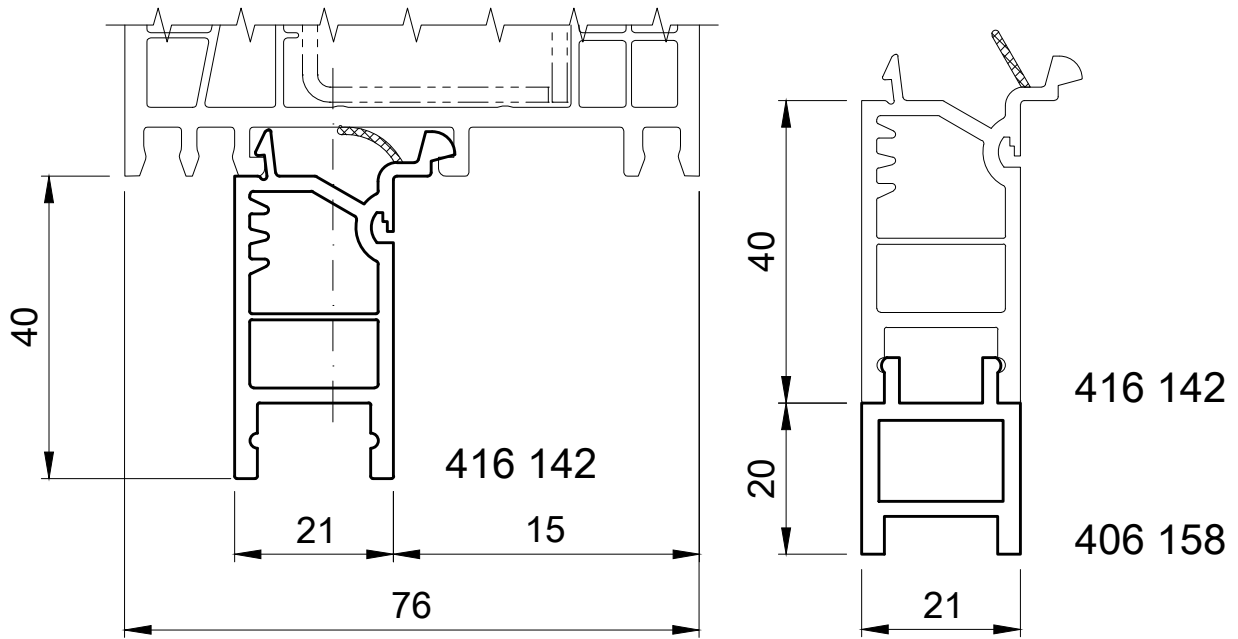
Seal with permanently elastic, neutrally bonding sealant, suitable for PVC and galvanised steel.

Stone bank profiles

Stone bank profiles
416 142, 406 158

Locking clamps
417 517, 417 520, 417 523

ST 04
08.11



Note: Profile can deviate in the evenness to the frame
Seal with permanently elastic, neutrally bonding sealant,
suitable for PVC and galvanised steel.

Scale 1:1 (or depending on print-out)

Issue: 01/2012

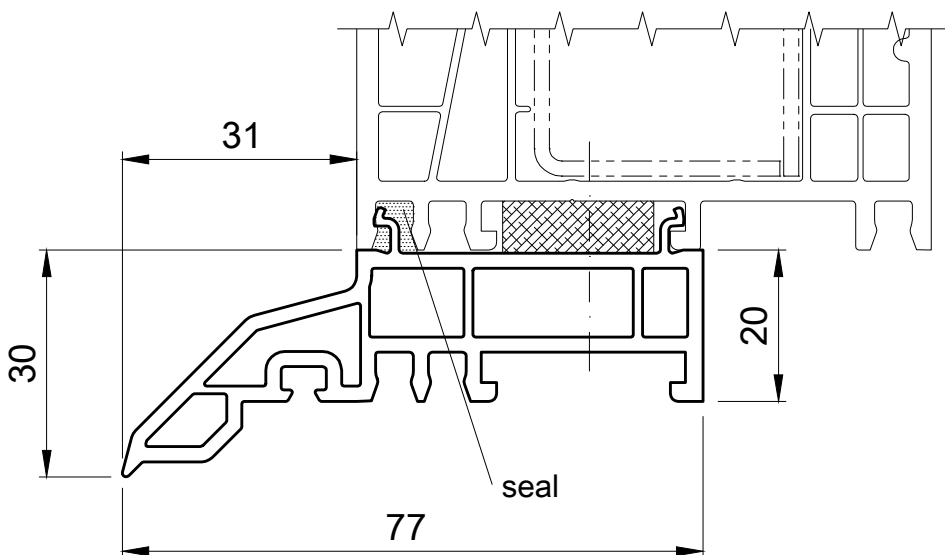
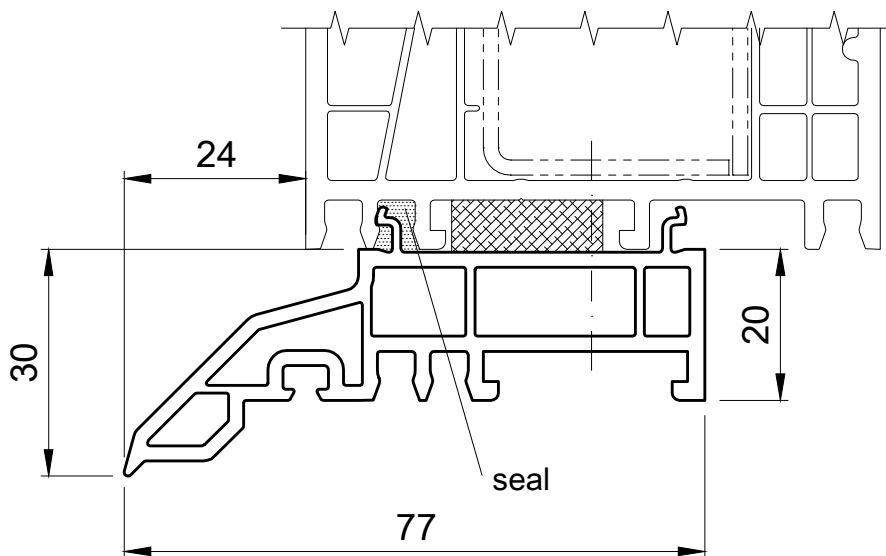
Stone bank profiles

Stone bank profiles

416 126

ST 04

08.12



Precompressed gasket strip

Seal with permanently elastic, neutrally bonding sealant, suitable for PVC and galvanised steel.

Scale 1:1 (or depending on print-out)

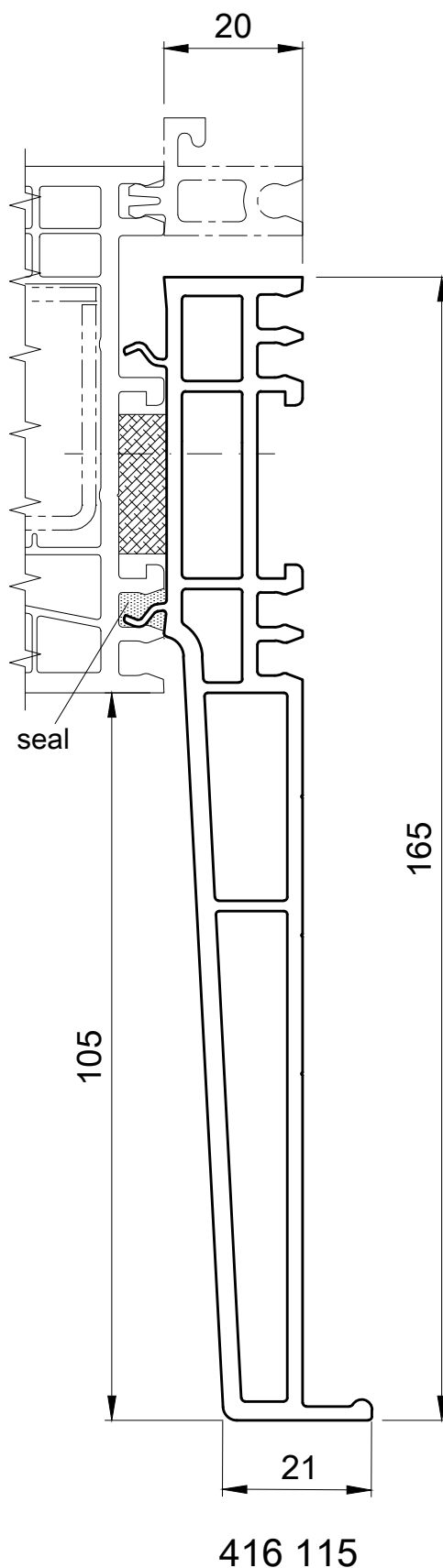
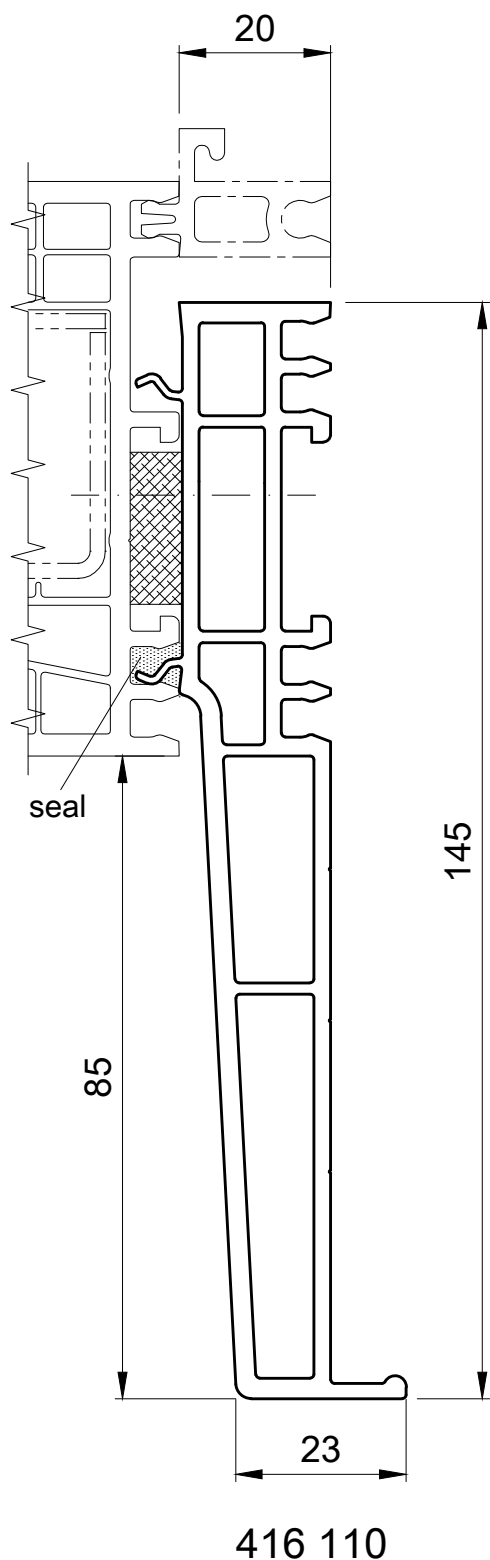
Issue: 01/2012

Window sill

Sill profiles
416 110, 416 115

ST 04

08.13



Precompressed
gasket strip

Seal with permanently elastic, neutrally bonding sealant,
suitable for PVC and galvanised steel.

Scale 1:1 (or depending on print-out)

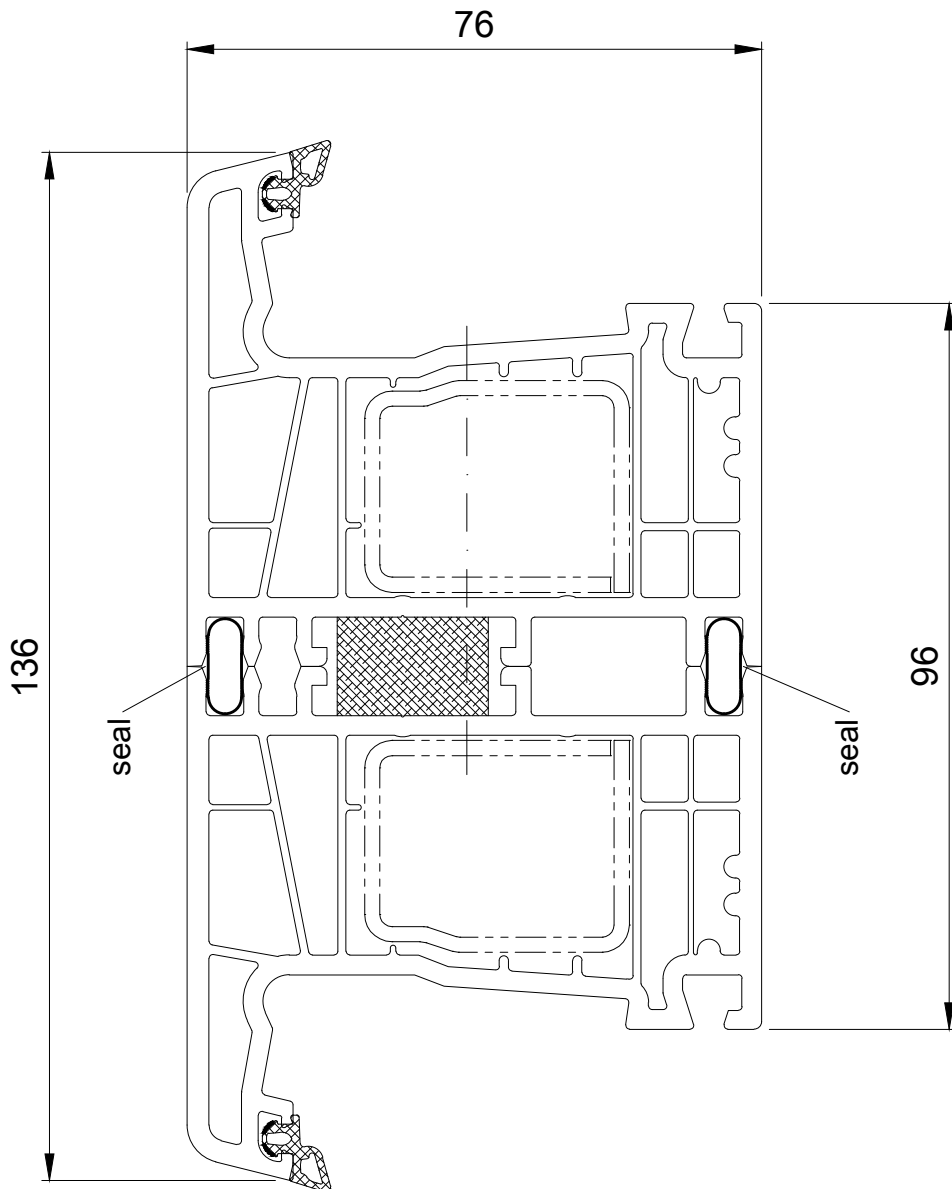
Issue: 01/2012

Spring coupling

406 250

ST 04

09.1



Precompressed
gasket strip

Seal with permanently elastic, neutrally bonding sealant,
suitable for PVC and galvanised steel.

Scale 1:1 (or depending on print-out)

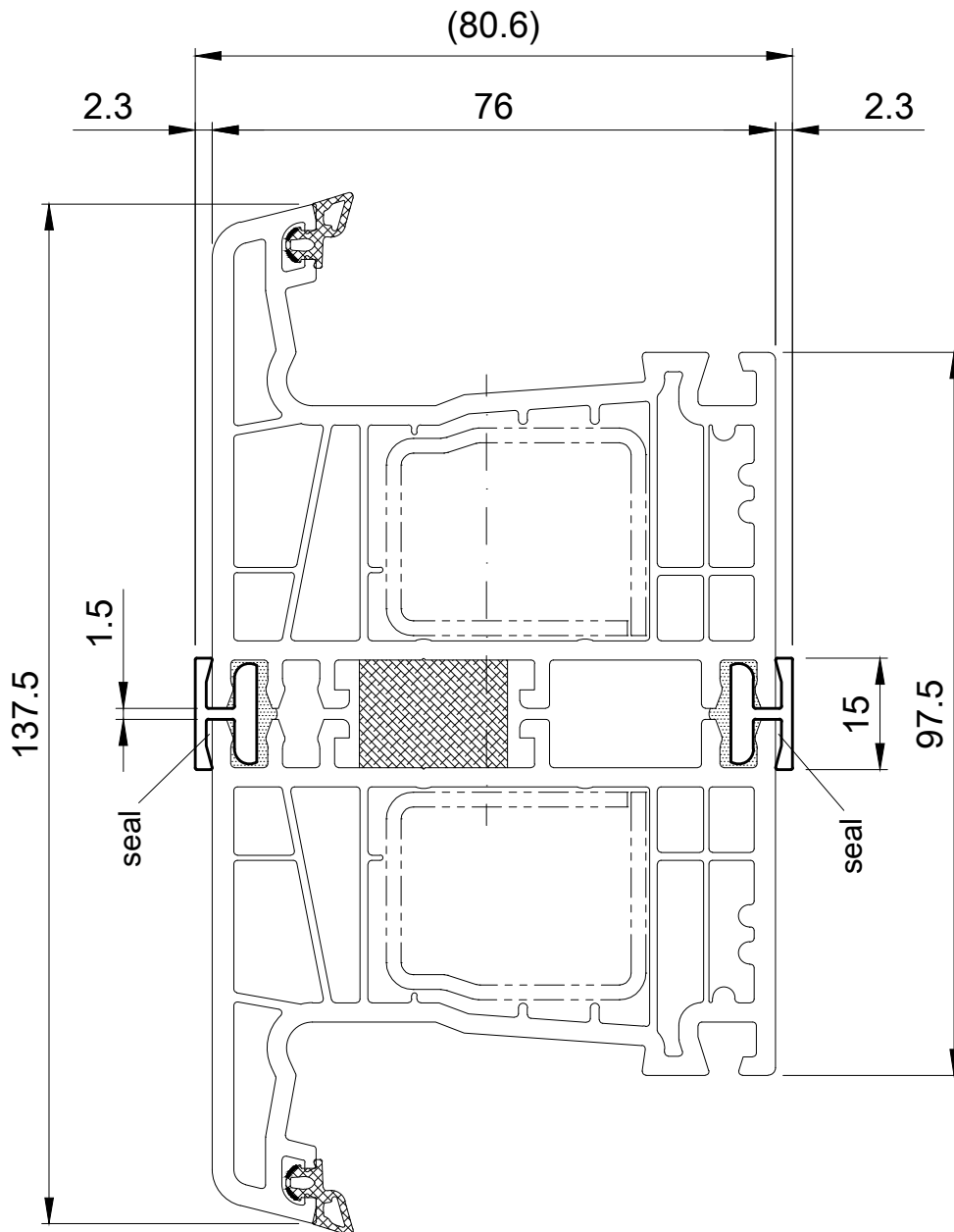
Issue: 01/2012

Spring coupling

406 255

ST 04

09.2

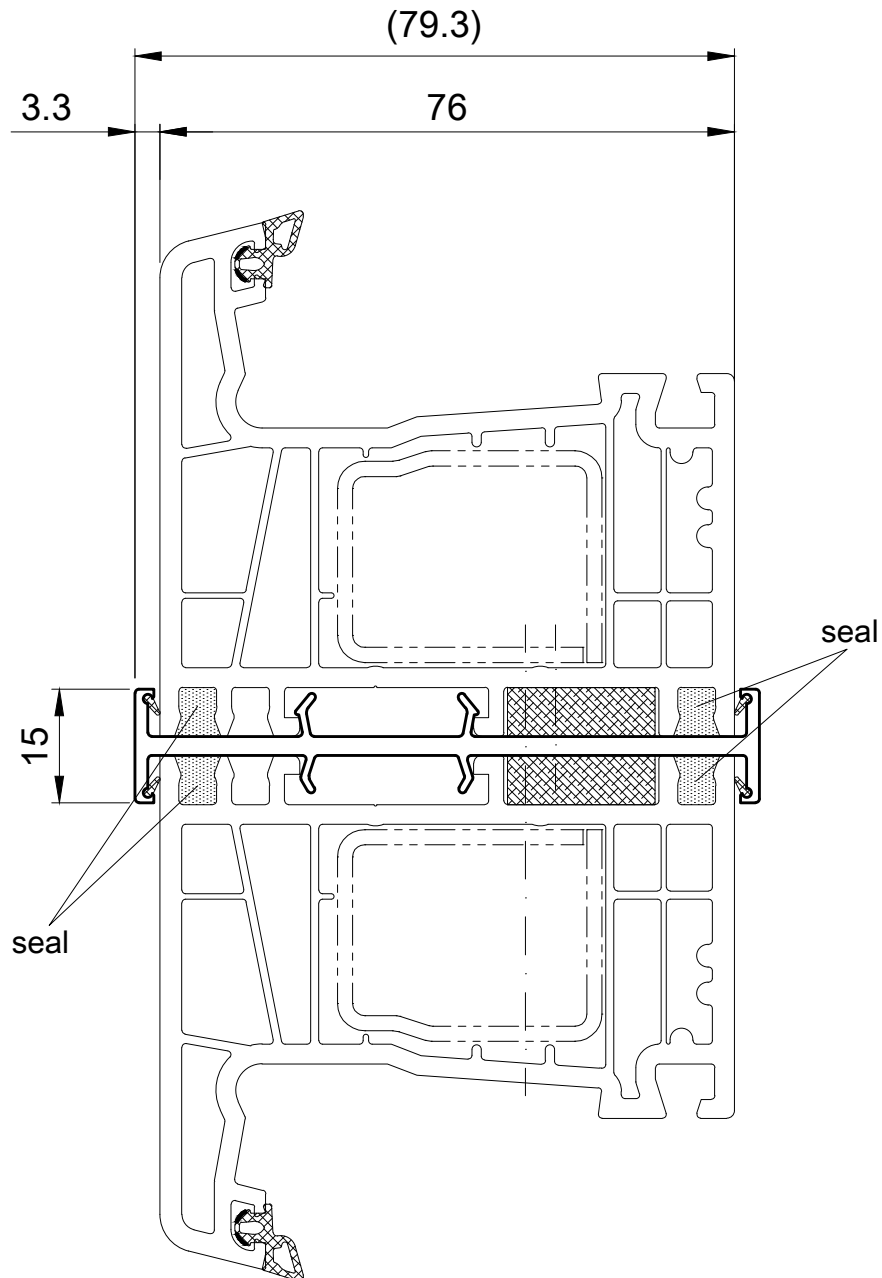


Precompressed
gasket strip

Seal with permanently elastic, neutrally bonding sealant,
suitable for PVC and galvanised steel.

Scale 1:1 (or depending on print-out)

Issue: 01/2012

Coupling
416 260ST 04
09.3Precompressed
gasket stripSeal with permanently elastic, neutrally bonding sealant,
suitable for PVC and galvanised steel.

Scale 1:1 (or depending on expression)

Issue: 01/2012

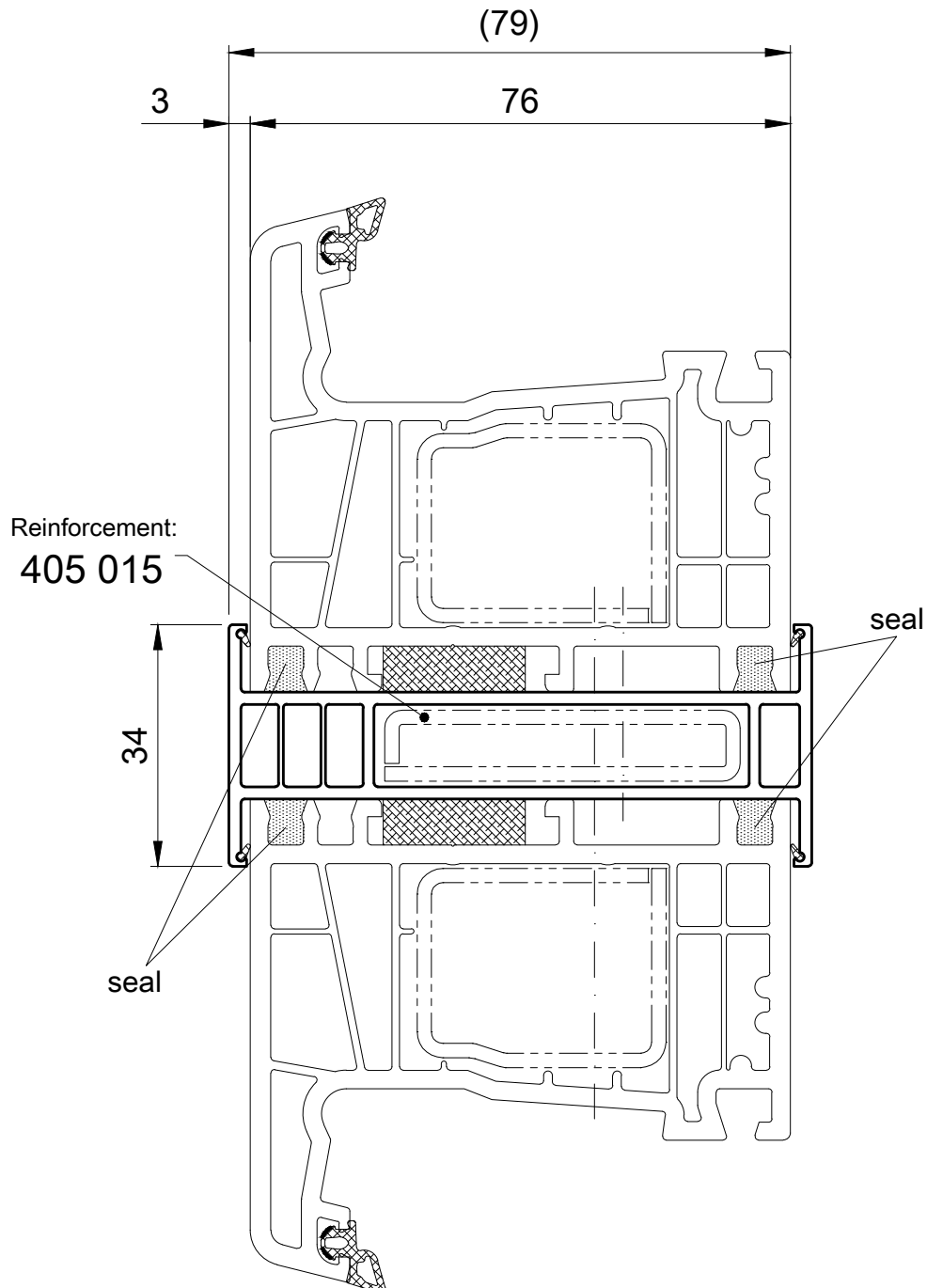
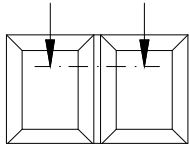
SALAMANDER
INDUSTRIEPRODUKTE

Coupling (insert vertical)

416 273

ST 04

09.4



Precompressed
gasket strip

Seal with permanently elastic, neutrally bonding sealant,
suitable for PVC and galvanised steel.

Scale 1:1 (or depending on print-out)

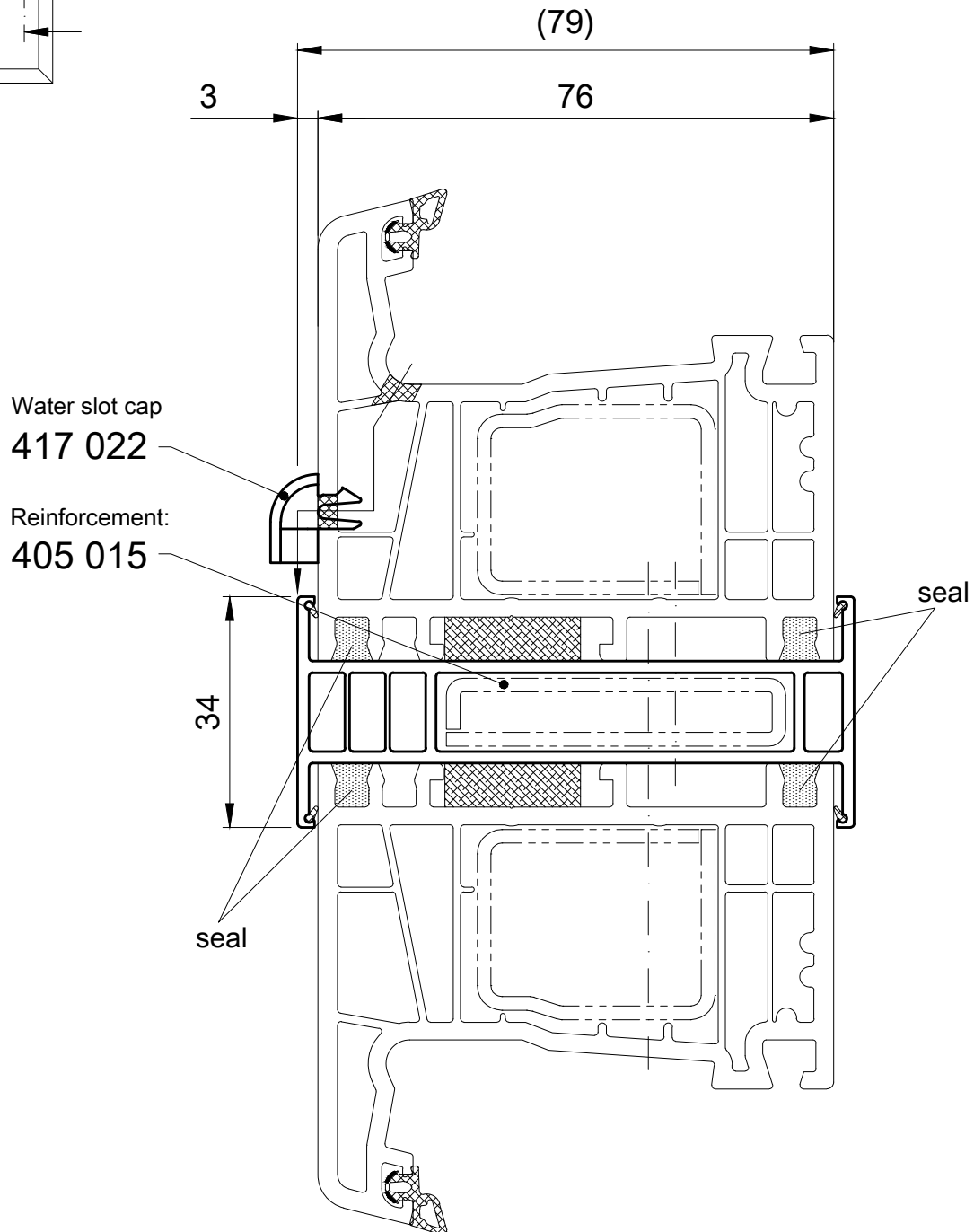
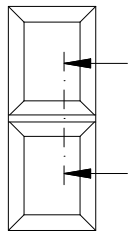
Issue: 01/2012

Coupling (insert horizontal)

416 273

ST 04

09.5



Necessary drainage



Precompressed gasket strip

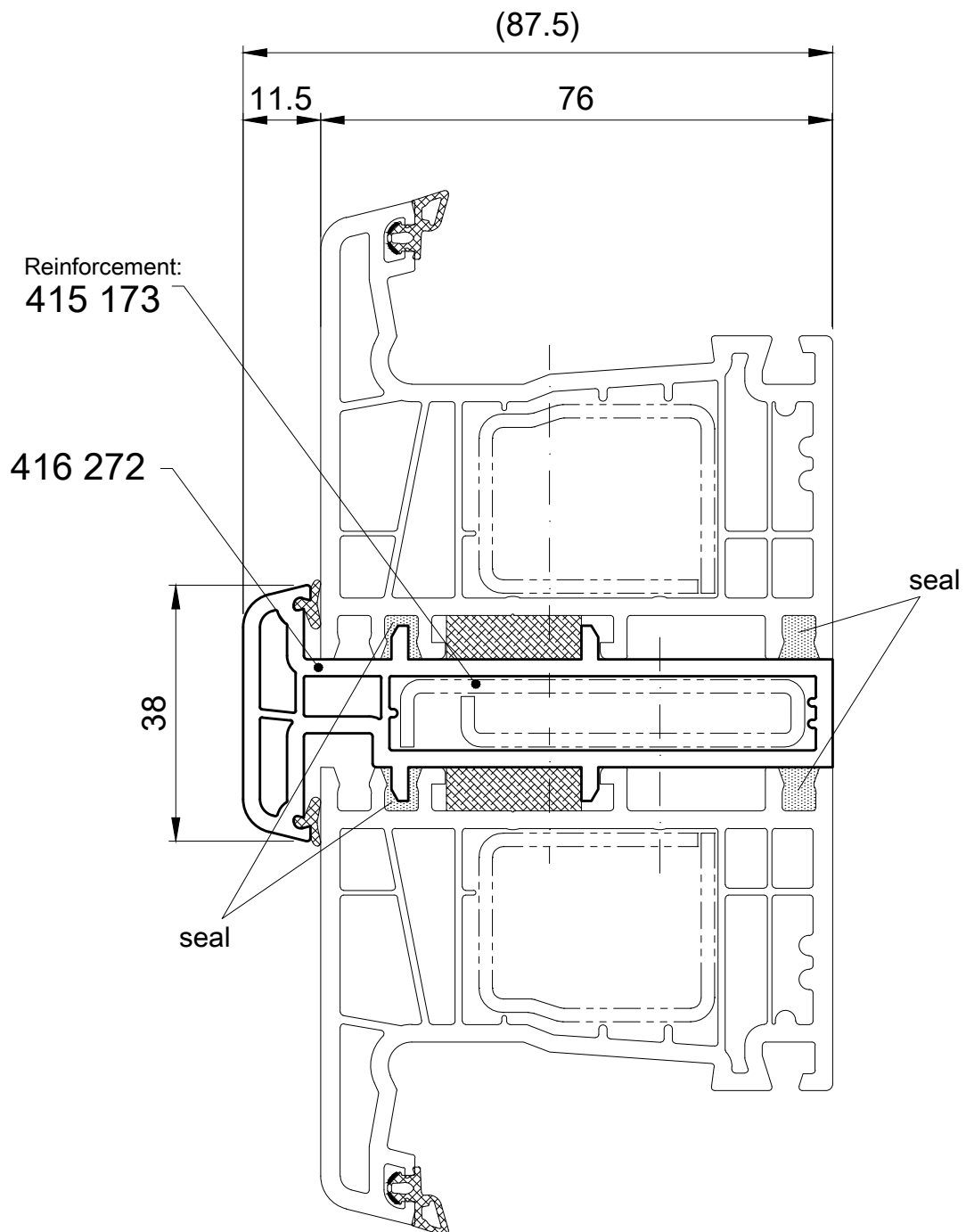
Seal with permanently elastic, neutrally bonding sealant, suitable for PVC and galvanised steel.

Scale 1:1 (or depending on print-out)

Issue: 01/2012

Coupling
416 272

ST 04
09.6



Precompressed
gasket strip

Seal with permanently elastic, neutrally bonding sealant,
suitable for PVC and galvanised steel.

Scale 1:1 (or depending on print-out)

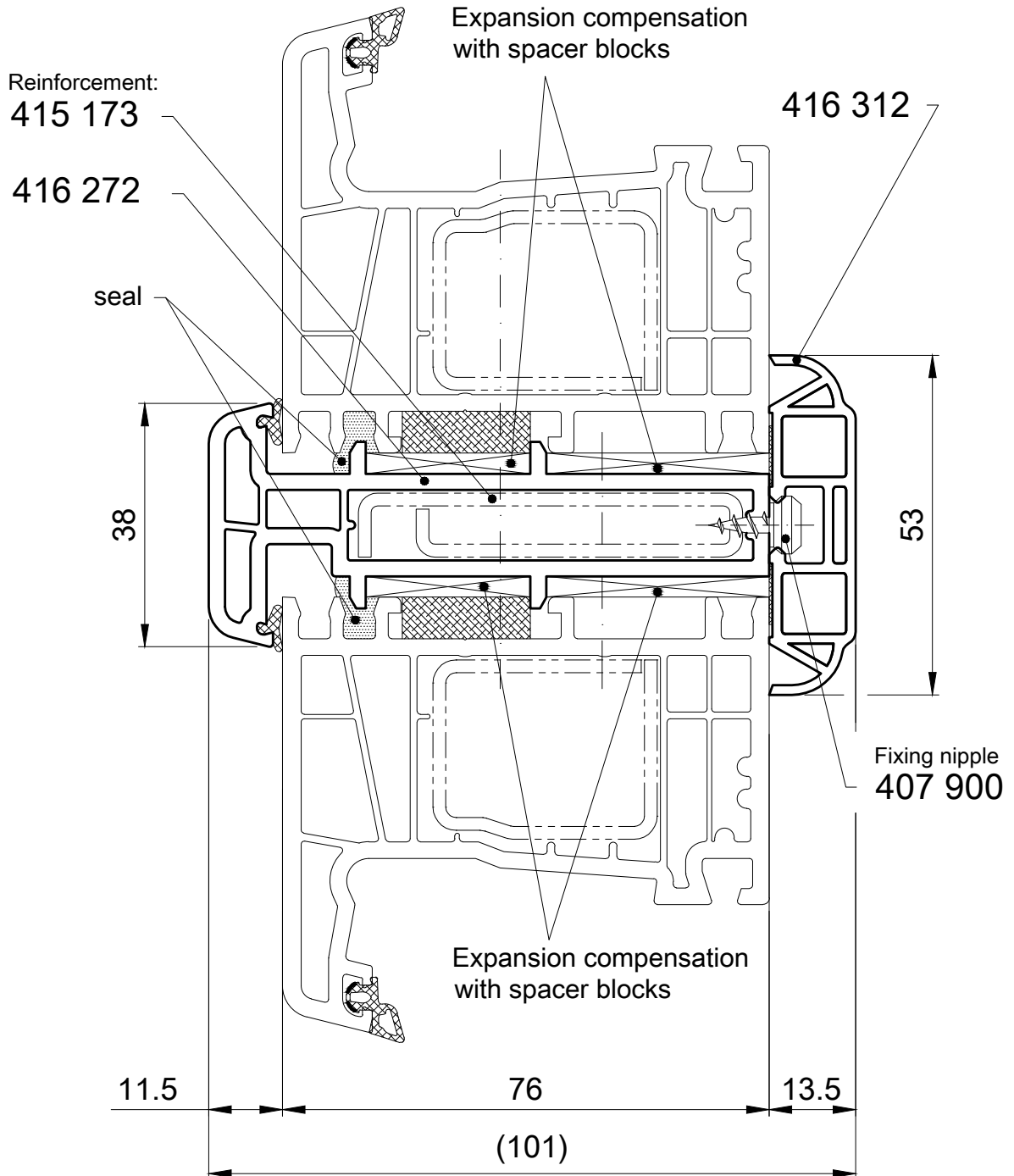
Issue: 01/2012

SALAMANDER
INDUSTRIEPRODUKTE

Coupling
416 272

Cover
416 312

ST 04
09.7



Precompressed gasket strip

Seal with permanently elastic, neutrally bonding sealant, suitable for PVC and galvanised steel.

Scale 1:1 (or depending on print-out)

Issue: 01/2012

Static coupling

405 155

Cover cap

406 280

Expansion plate

407 055

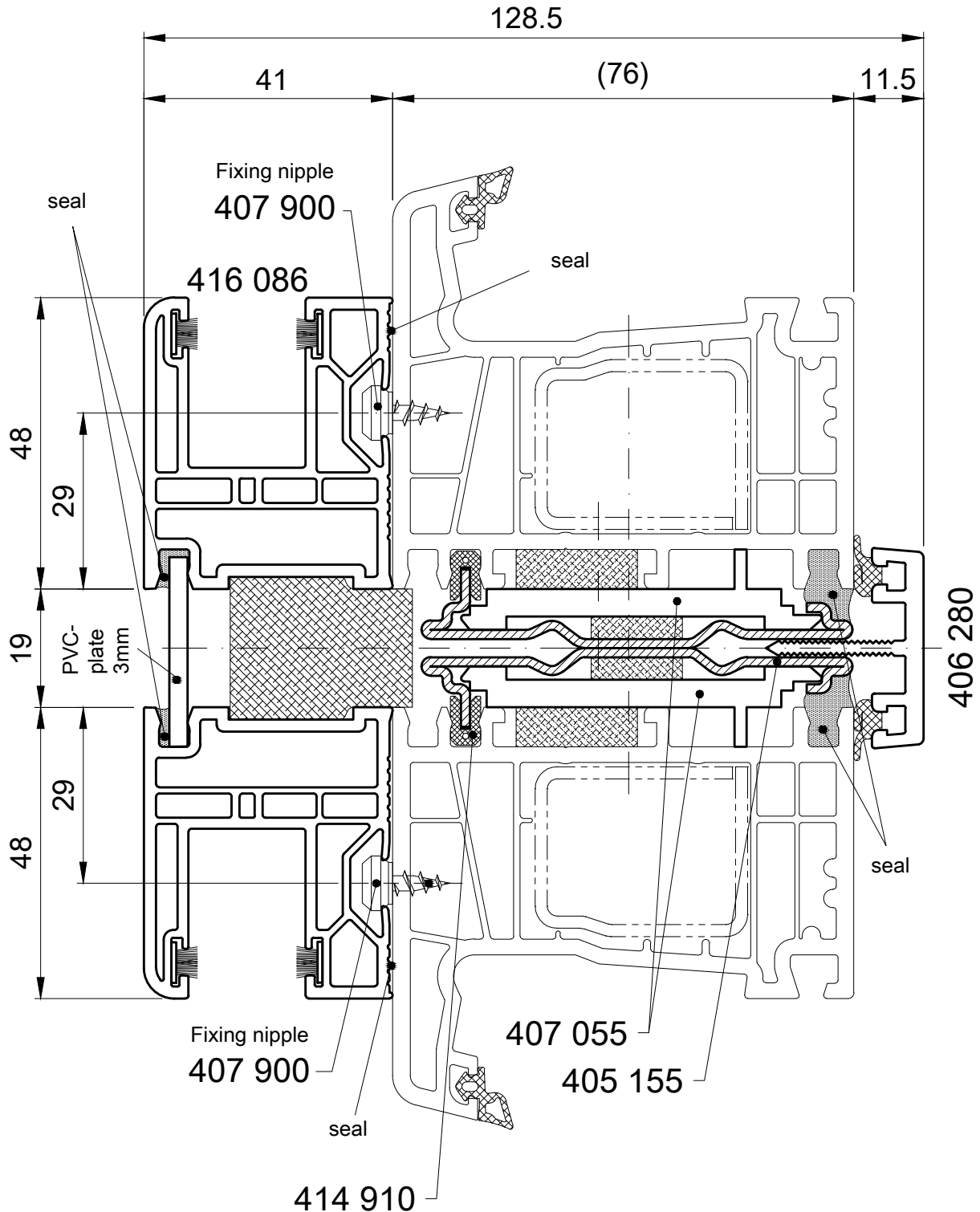
Roller shutter guide

416 086

ST 04

09.8

Coupling not thermally separated !



Depending on installation location,
risk of condensation formation



Precompressed
gasket strip

Seal with permanently elastic, neutrally bonding sealant,
suitable for PVC and galvanised steel.

Scale 1:1 (or depending on print-out)

Issue: 01/2012

Static coupling

405 155

Cover cap

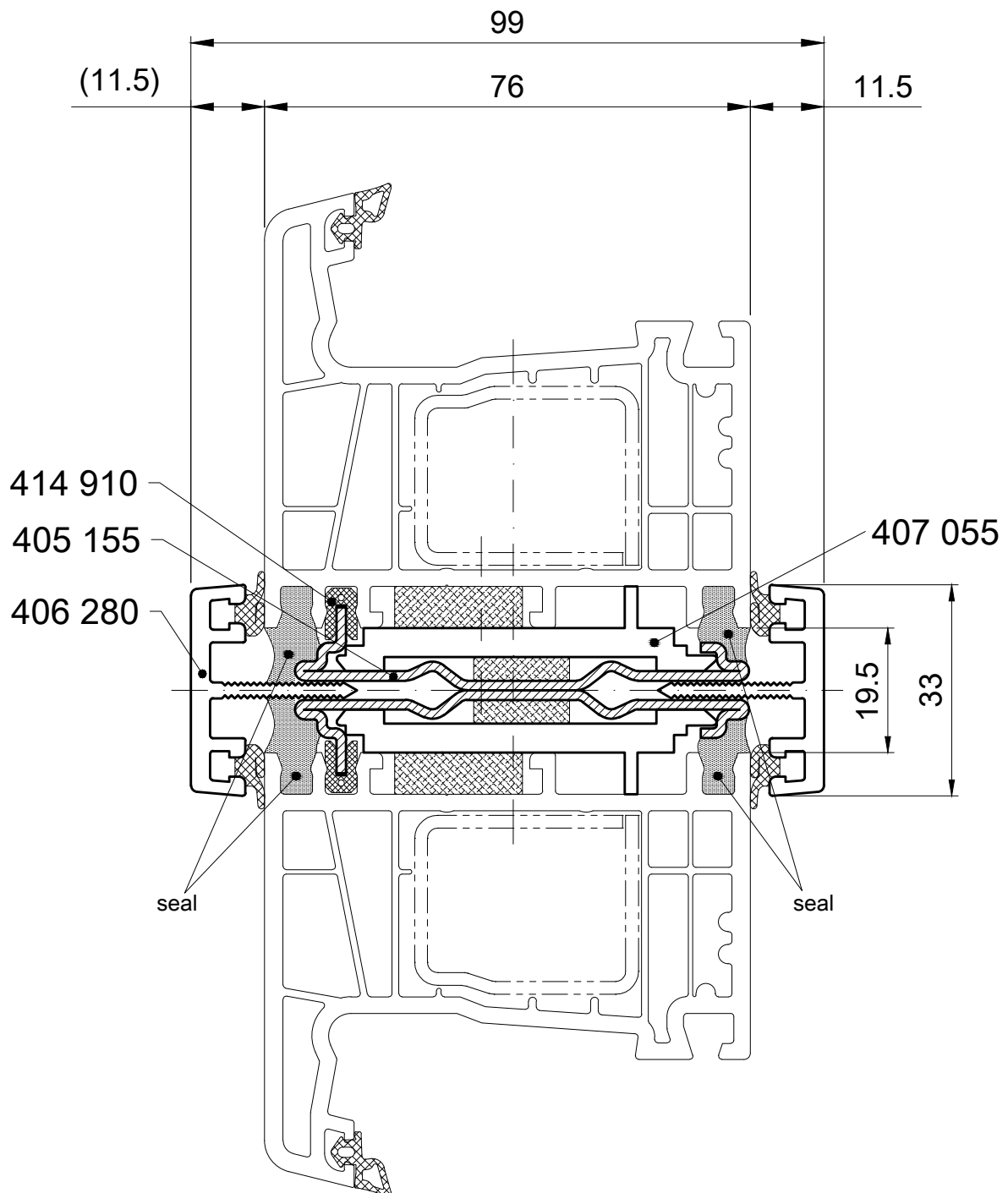
406 280

Expansion plate

407 055

ST 04

09.9



Depending on installation location,
risk of condensation formation



Precompressed
gasket strip

Seal with permanently elastic, neutrally bonding sealant,
suitable for PVC and galvanised steel.

Scale 1:1 (or depending on print-out)

Issue: 01/2012

Static coupling

405 165

Cover cap

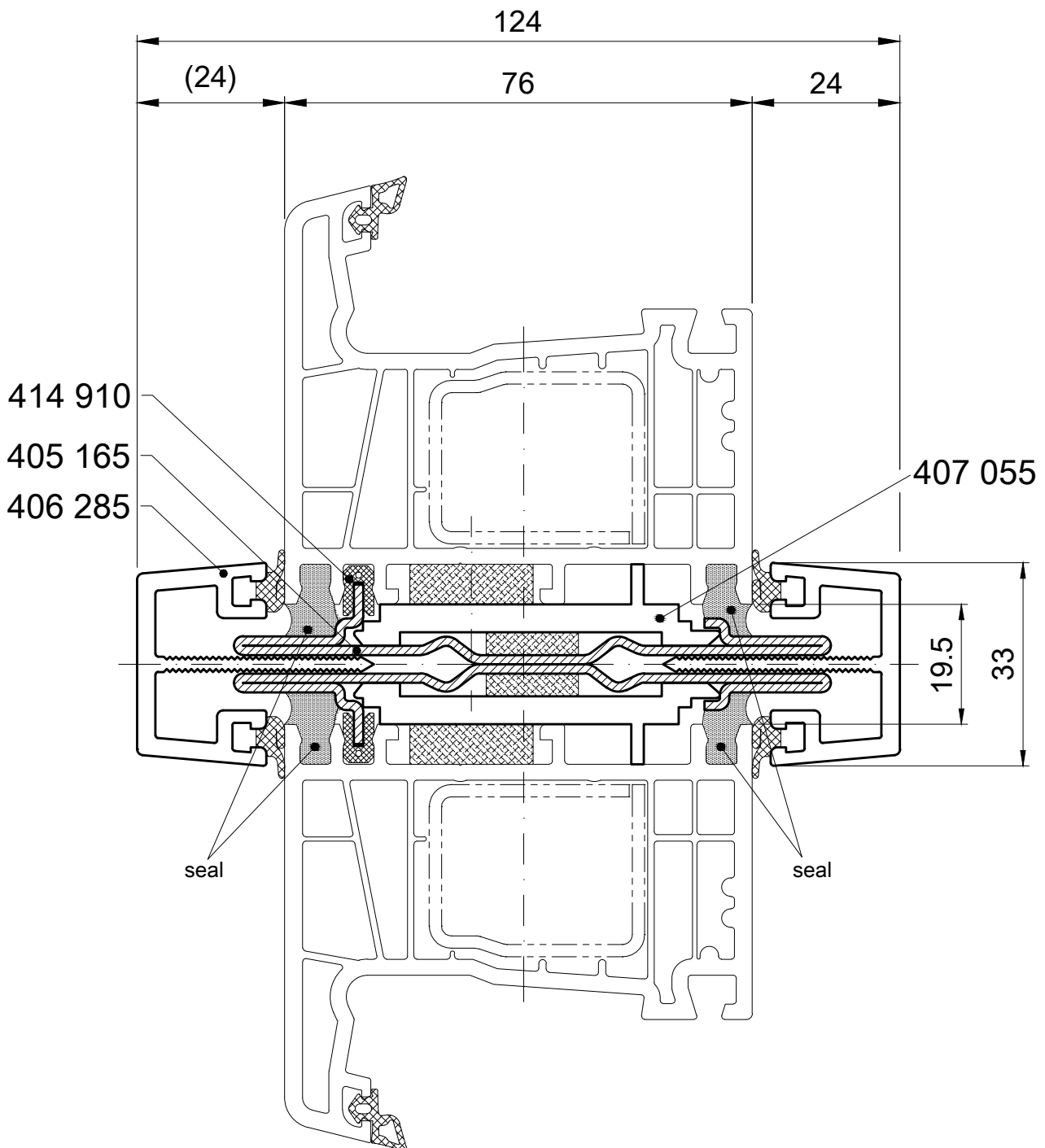
406 285

Expansion plate

407 055

ST 04

09.10



Depending on installation location,
risk of condensation formation



Precompressed
gasket strip

Seal with permanently elastic, neutrally bonding sealant,
suitable for PVC and galvanised steel.

Scale 1:1 (or depending on print-out)

Issue: 01/2012

Static coupling

405 175

Cover cap

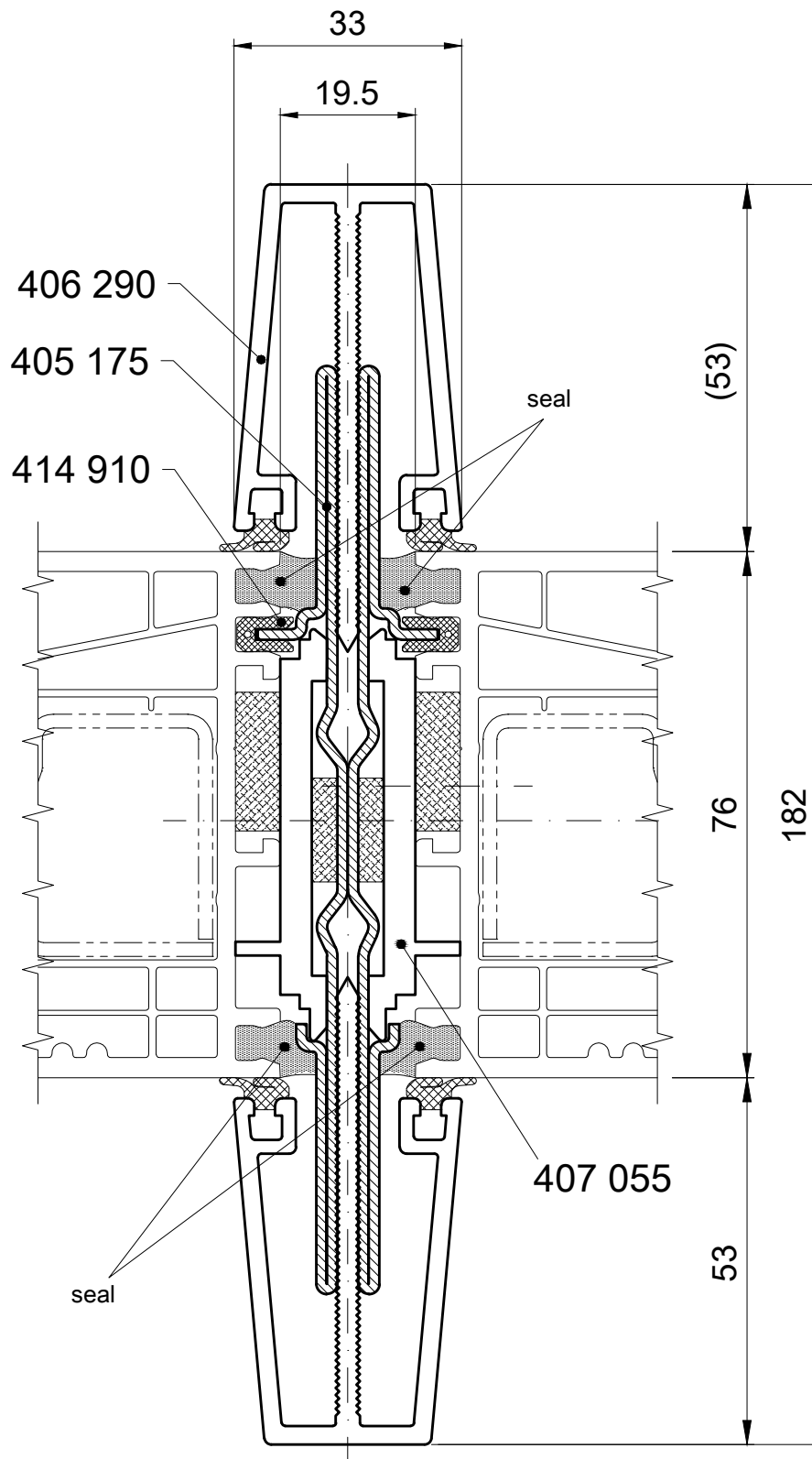
406 290

Expansion plate

407 055

ST 04

09.11



Depending on installation location,
risk of condensation formation



Precompressed
gasket strip

Seal with permanently elastic, neutrally bonding sealant,
suitable for PVC and galvanised steel.

Scale 1:1 (or depending on print-out)

Issue: 01/2012

SALAMANDER
INDUSTRIEPRODUKTE

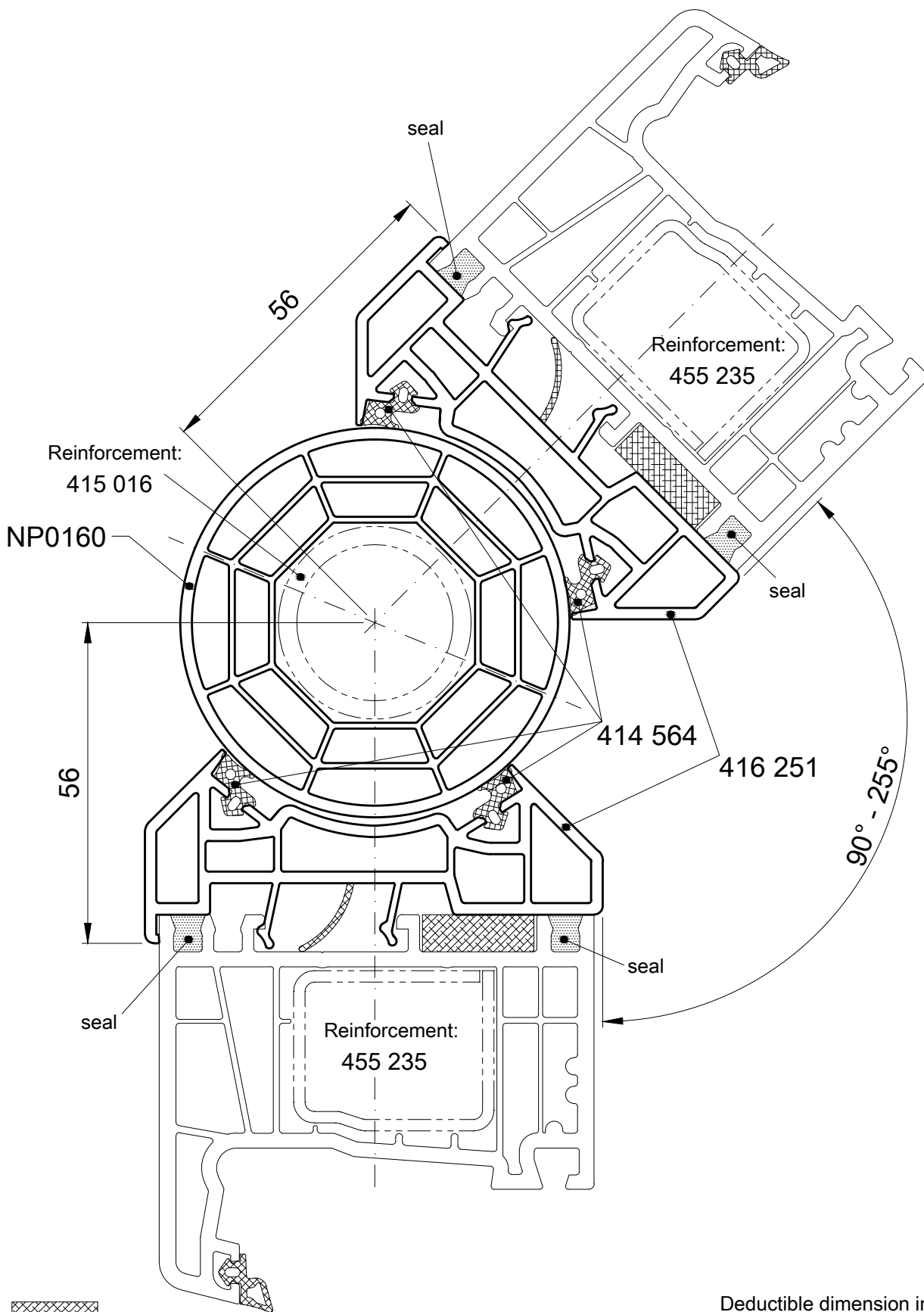
Variable corner connection

Corner connection

NP0160, 416 251

ST 04

10.1



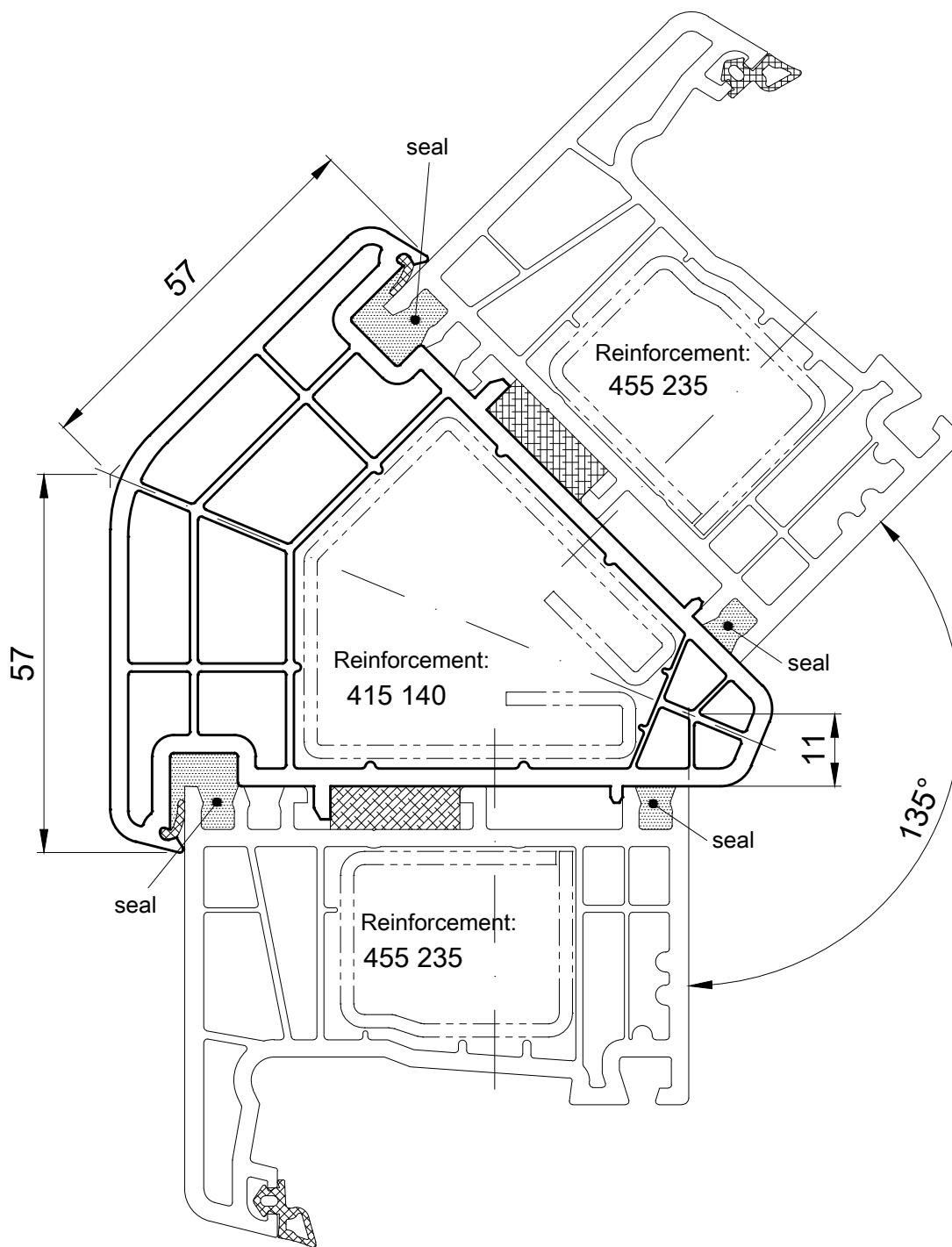
Precompressed gasket strip

Seal with permanently elastic, neutrally bonding sealant, suitable for PVC and galvanised steel.

Scale 1:1 (or depending on print-out)

Deductible dimension in chapter SL.07 page 23.1

Issue: 01/2012



Precompressed gasket strip

Deductible dimension in chapter SL.07 page 23.2

Seal with permanently elastic, neutrally bonding sealant, suitable for PVC and galvanised steel.

Scale 1:1 (or depending on print-out)

Issue: 01/2012

90° corner connection

Corner connection

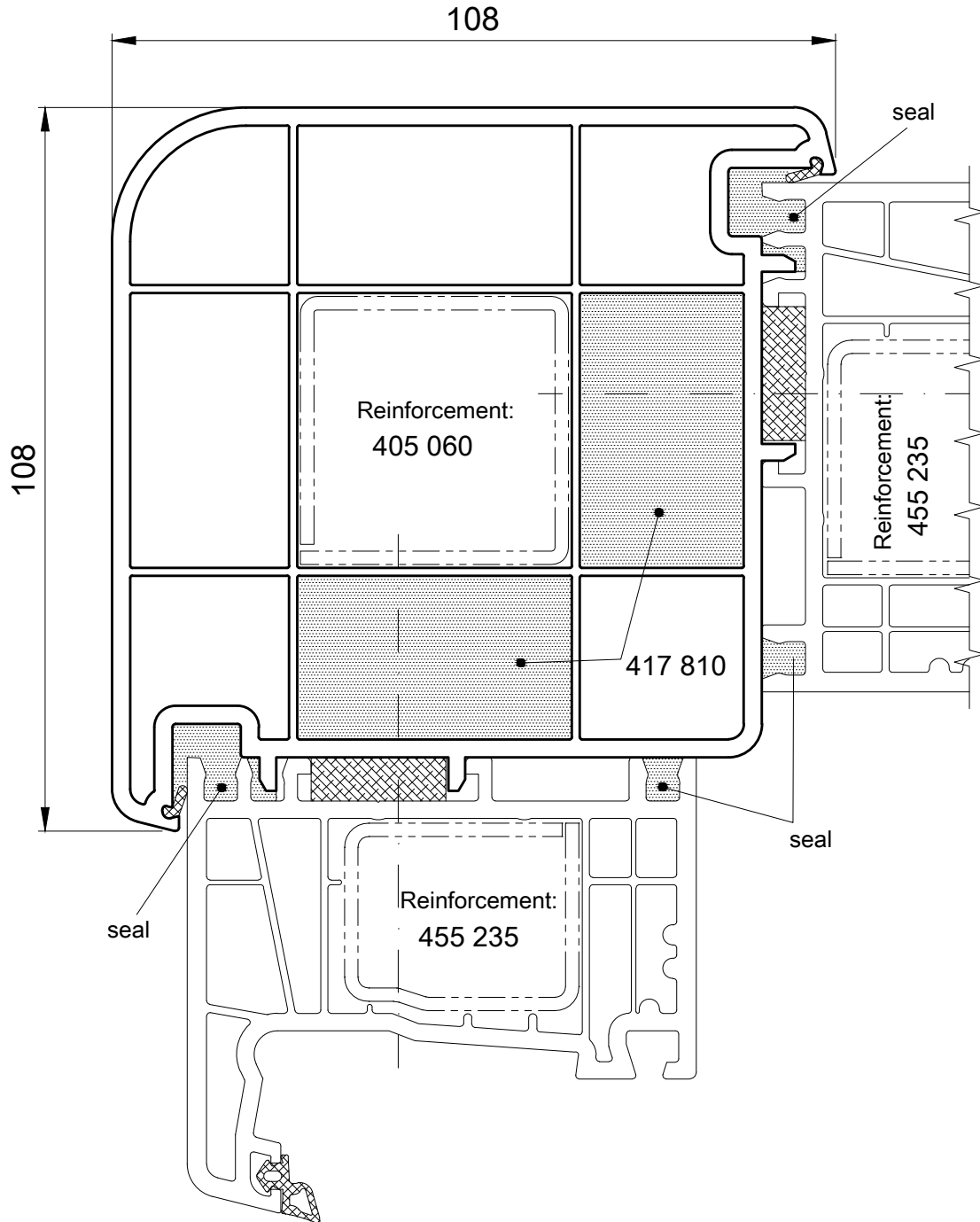
Push button

ST 04

416 210

417 810

10.3



Precompressed gasket strip

Deductible dimension in chapter SL.07 page 23.3

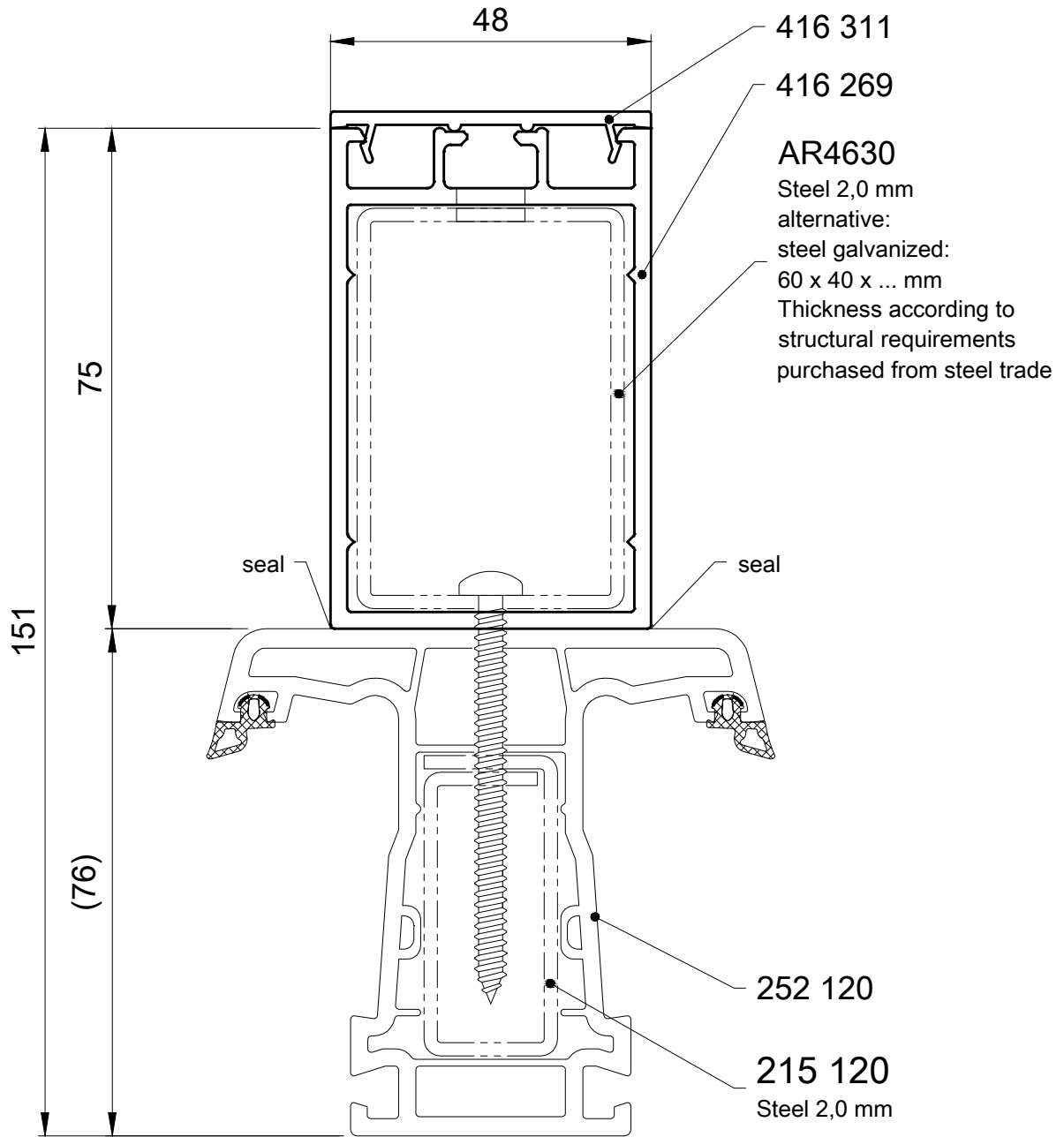
Seal with permanently elastic, neutrally bonding sealant, suitable for PVC and galvanised steel.

Scale 1:1 (or depending on print-out)

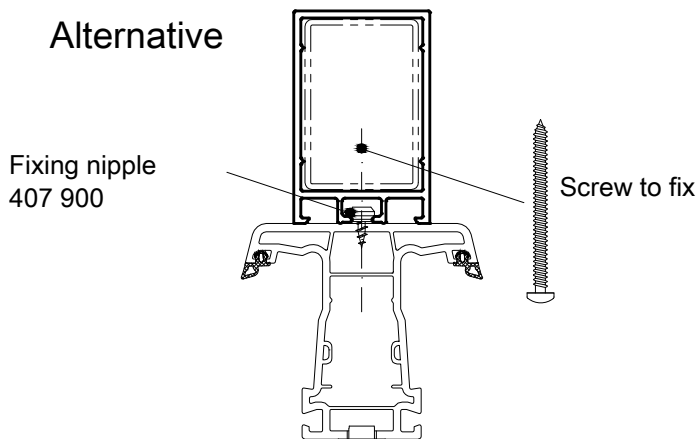
Issue: 01/2012

Pilaster strip profiles

Post	Post reinforcement	Cover profile	ST 04
252 120	416 269	416 311	11.1



Alternative



Seal with permanently elastic, neutrally bonding sealant, suitable for PVC and galvanized steel.

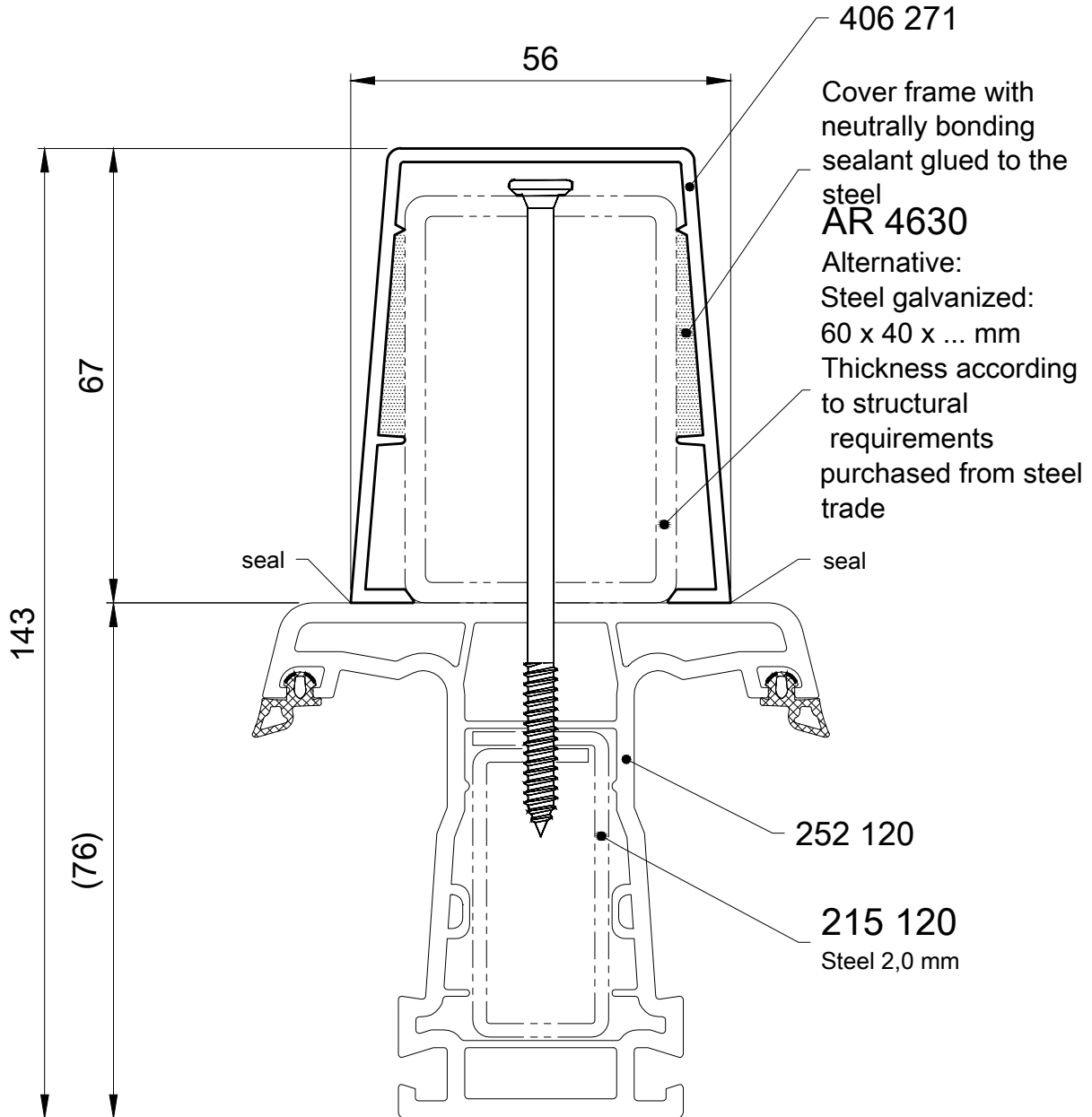
Scale 1:1 (not to scale) (or depending on print-out)

Issue: 01/2012

Post
252 120

Post reinforcement
406 271

ST 04
11.2



Seal with permanently elastic, neutrally bonding sealant, suitable for PVC and galvanized steel.

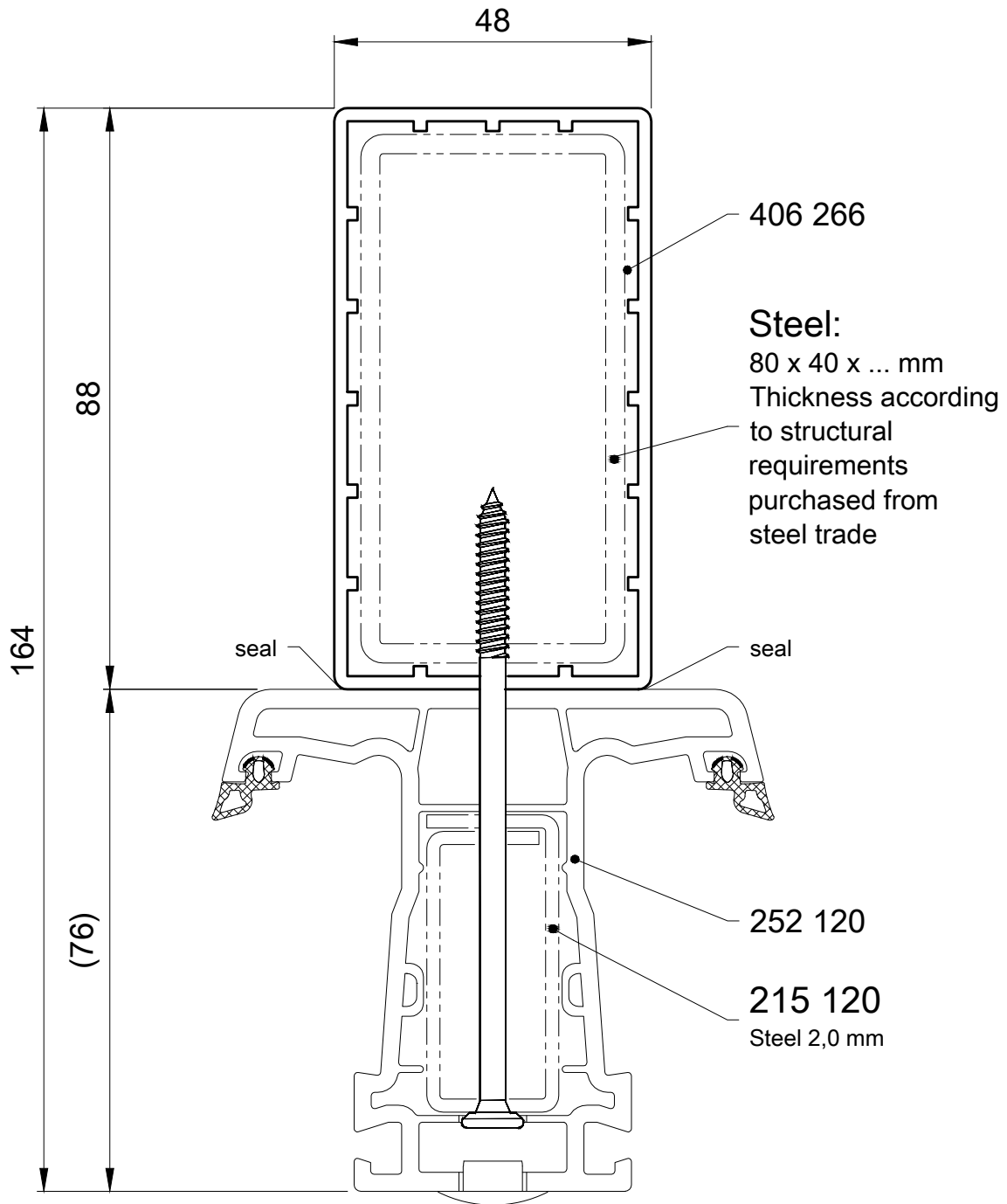
Scale 1:1 (or depending on print-out)

Issue: 01/2012

Post
252 120

Post reinforcement
406 266

ST 04
11.3



Seal with permanently elastic, neutrally bonding sealant, suitable for PVC and galvanised steel.

Scale 1:1 (or depending on print-out)

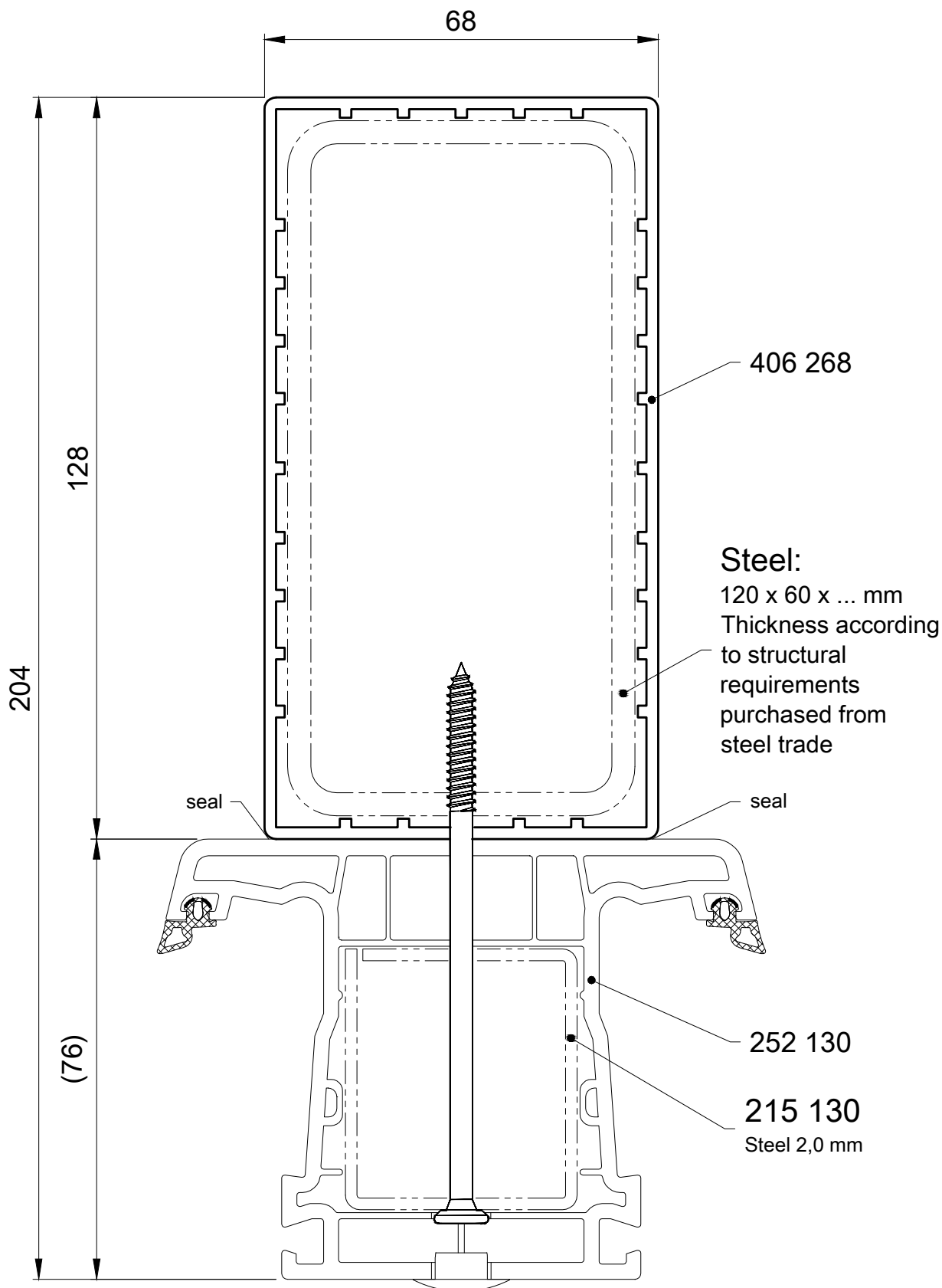
Issue: 01/2012

Pilaster strip profiles

Post
252 130

Post reinforcement
406 268

ST 04
11.4



Seal with permanently elastic, neutrally bonding sealant, suitable for PVC and galvanised steel.

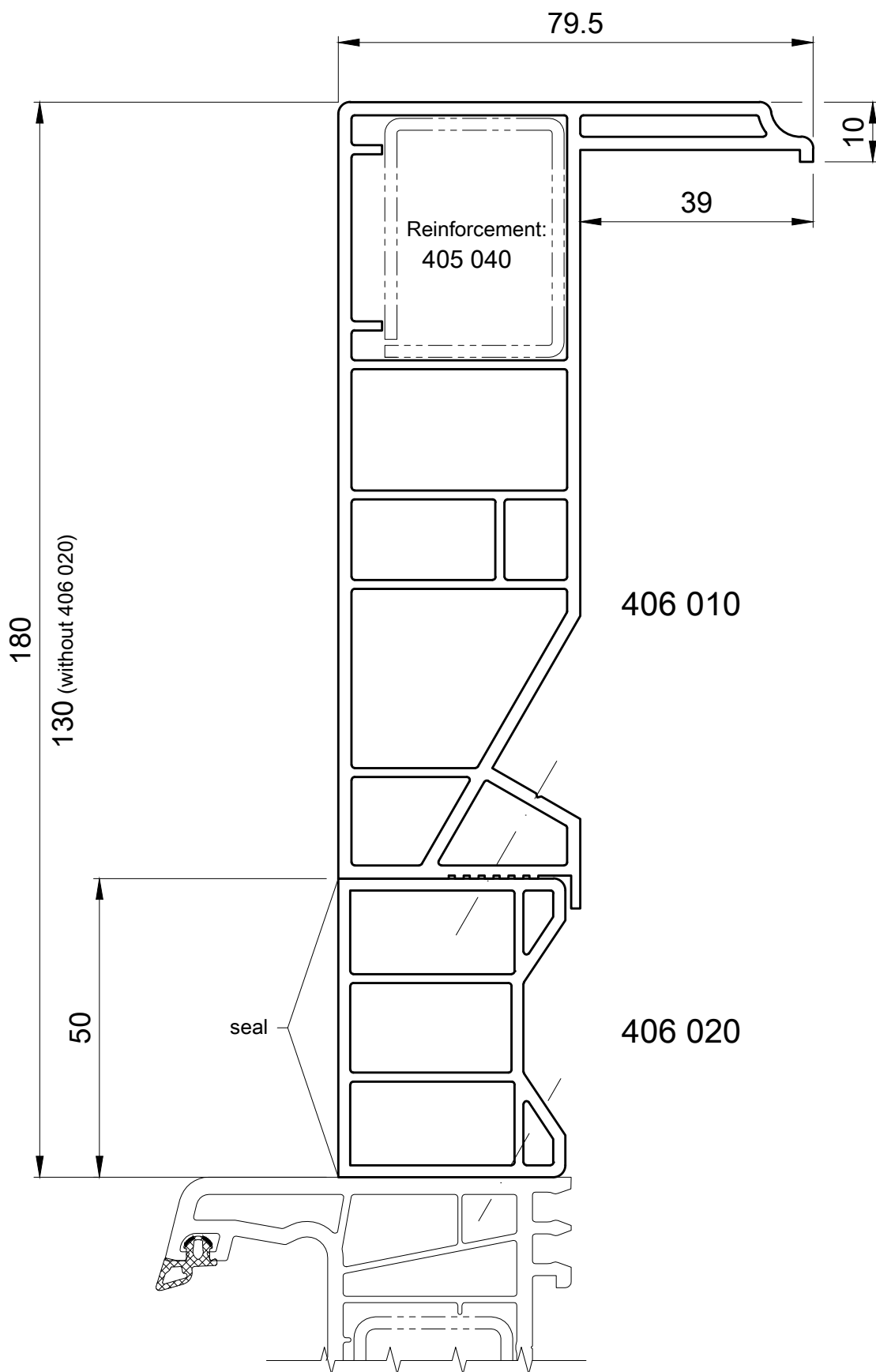
Scale 1:1 (or depending on print-out)

Issue: 01/2012

Reveal panelling

Reveal panelling
406 010, 406 020

ST 04
12.1



Seal with permanently elastic, neutrally bonding sealant, suitable for PVC and galvanised steel.

Scale 1:1 (or depending on print-out)

Issue: 01/2012

Reveal panelling

Reveal panelling

406 386

Cover

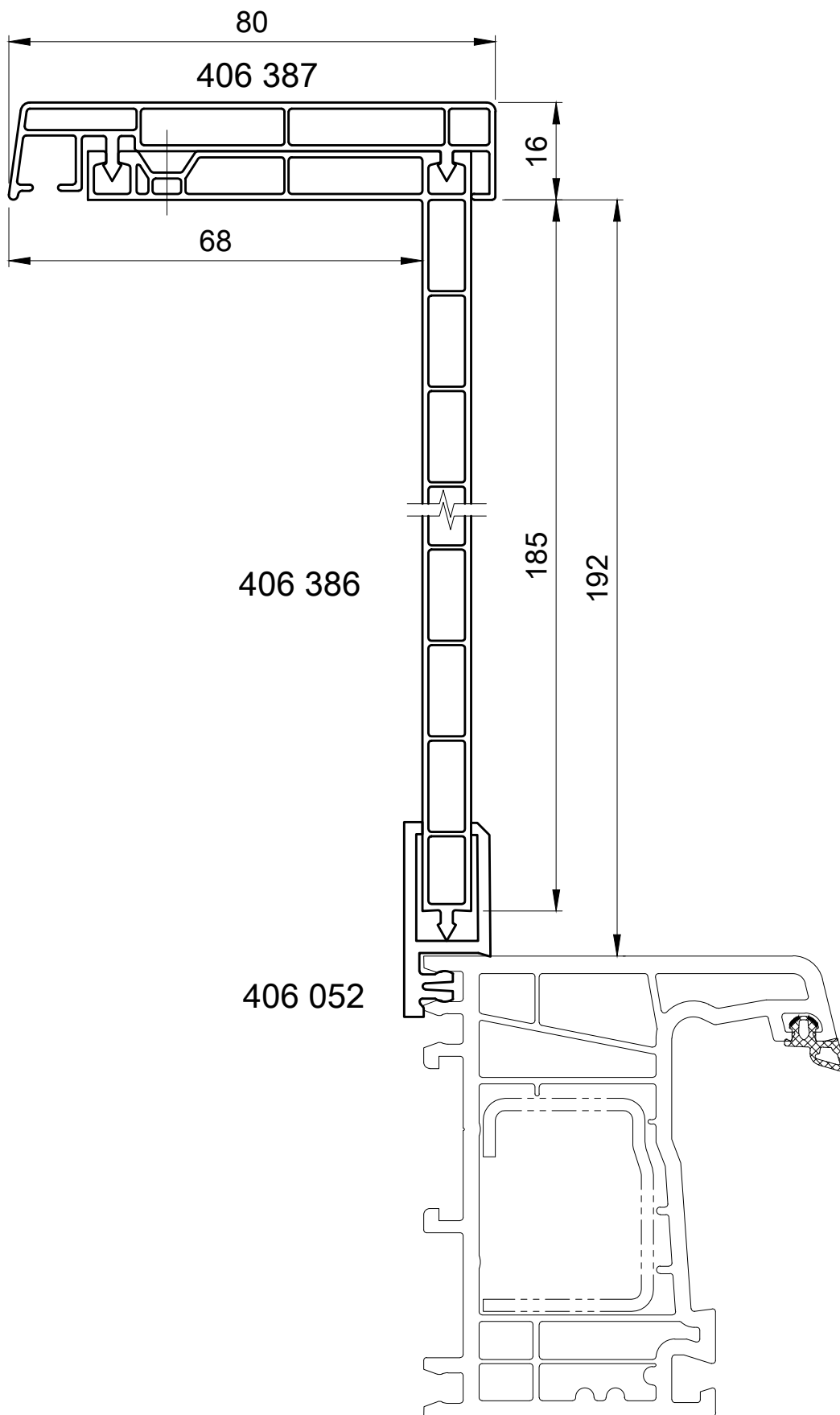
406 387

Connection profile

406 052

ST 04

12.2

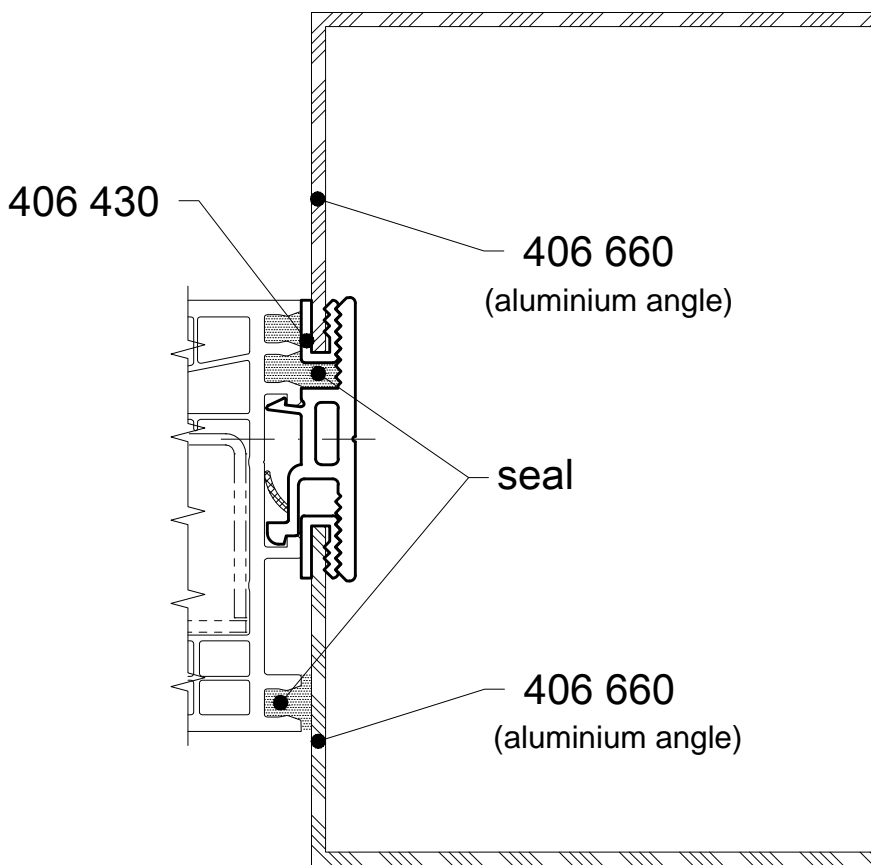
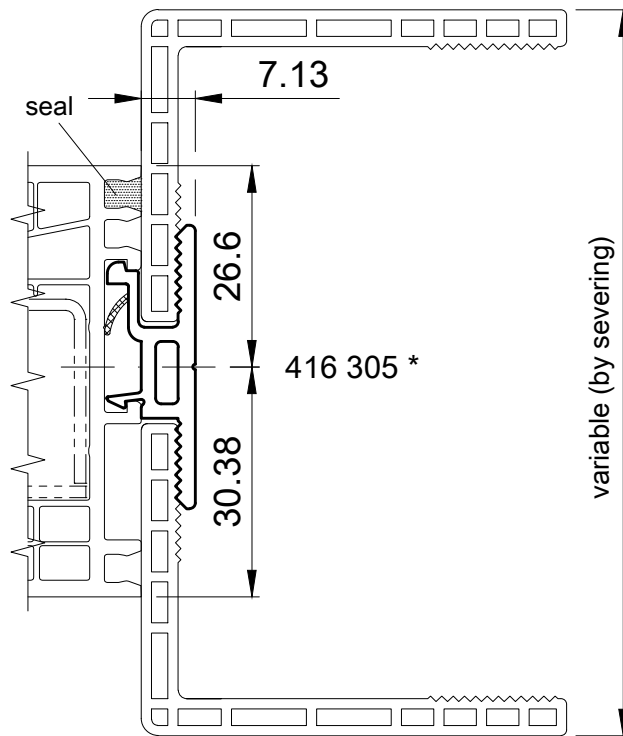


Adapter profile

416 305

ST 04

13.1



* to use in decor only room side

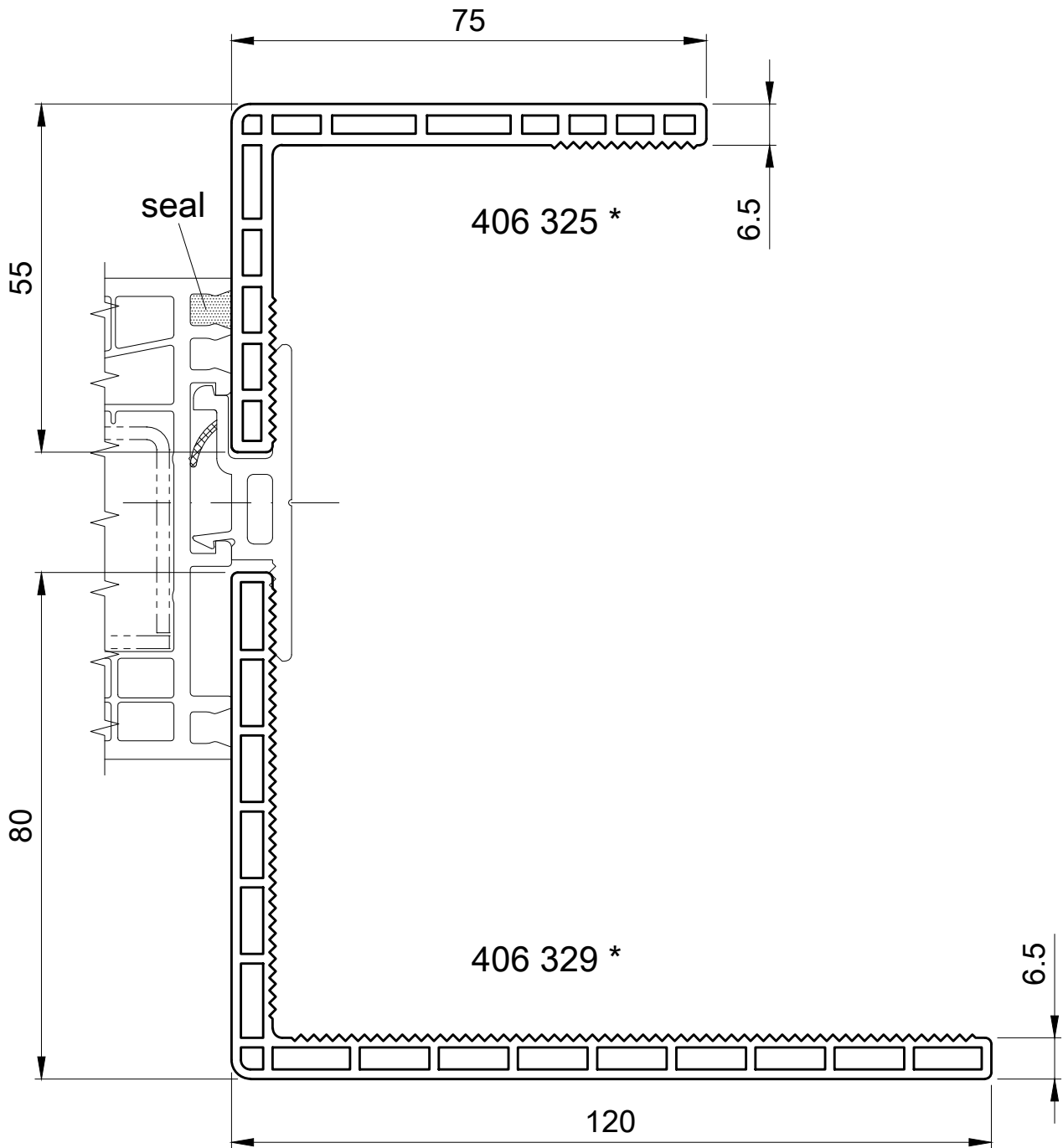
Seal with permanently elastic, neutrally bonding sealant, suitable for PVC and galvanised steel.

Not to scale

Issue: 01/2012

Cover angle
406 325, 406 329

ST 04
13.2



* to use in decor only room side

Seal with permanently elastic, neutrally bonding sealant, suitable for PVC and galvanised steel.

Scale 1:1 (or depending on print-out)

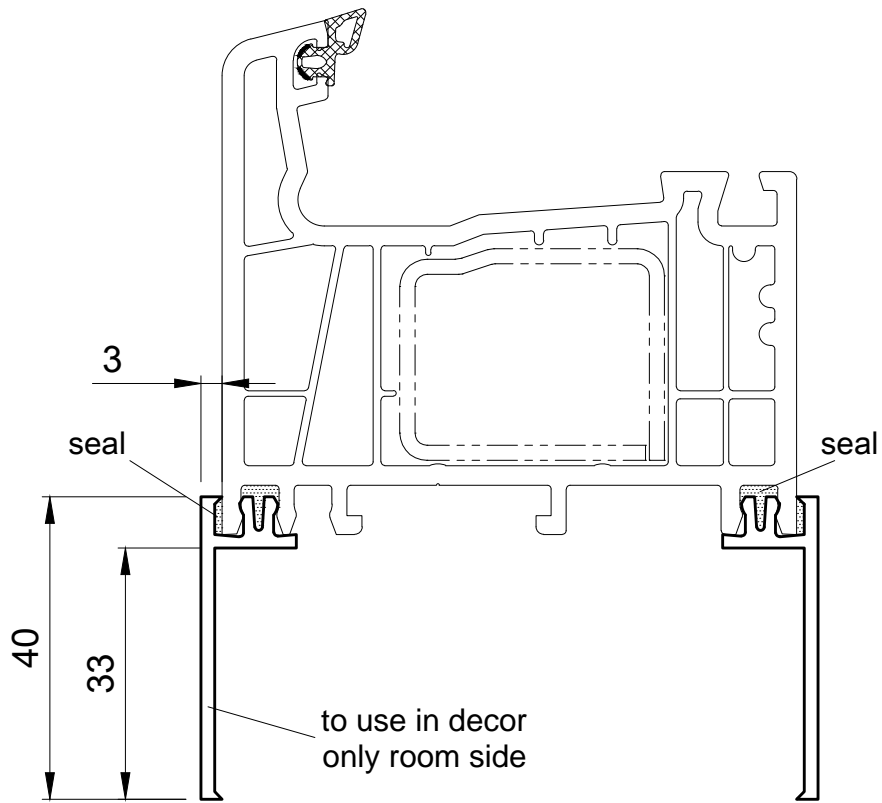
Issue: 01/2012

Cover angle

406 182

ST 04

13.3

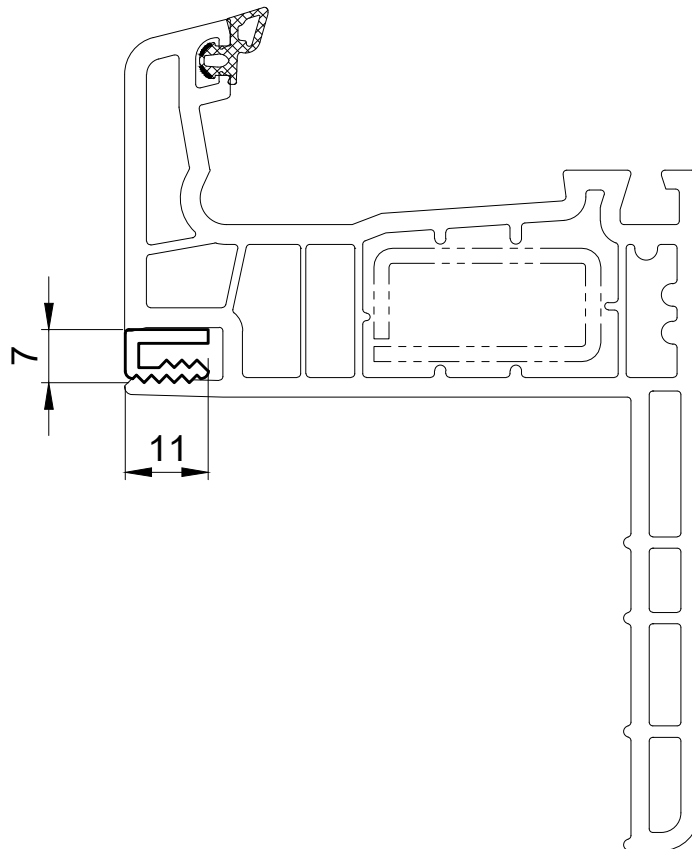


Adapter profile

406 430

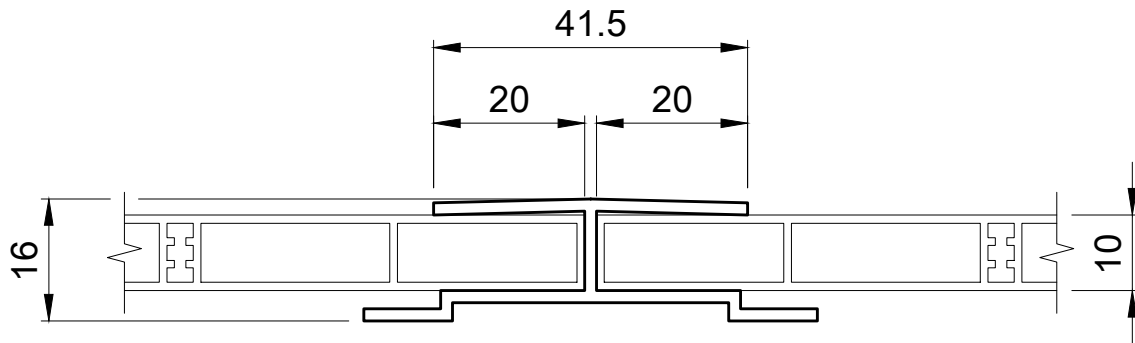
ST 04

13.4

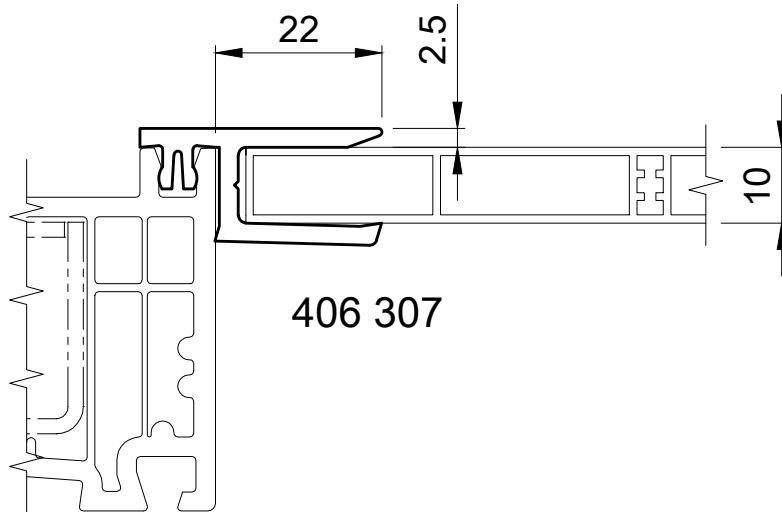


Coupling
406 306, 406 307, 406 308

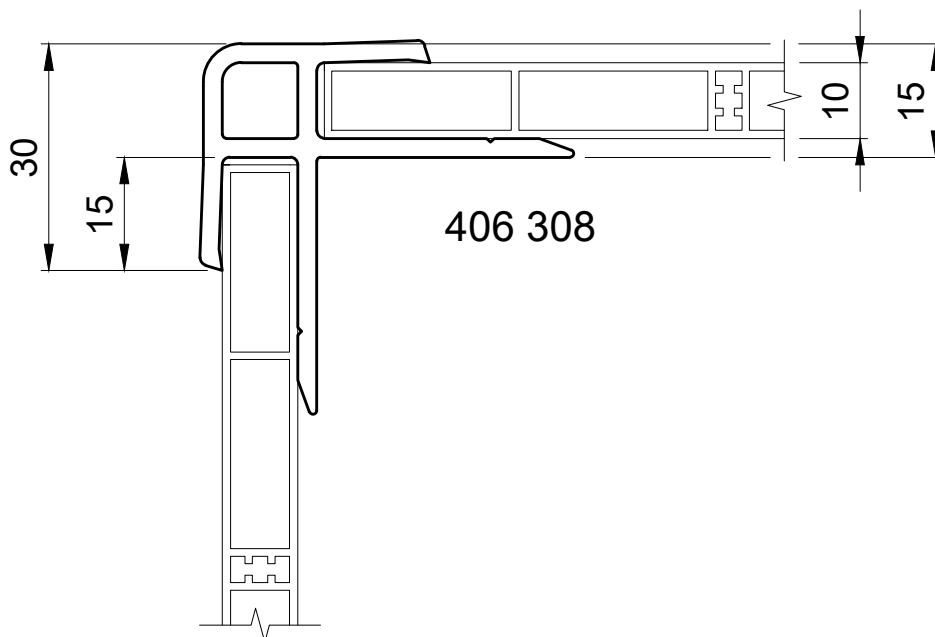
ST 04
13.5



406 306



406 307

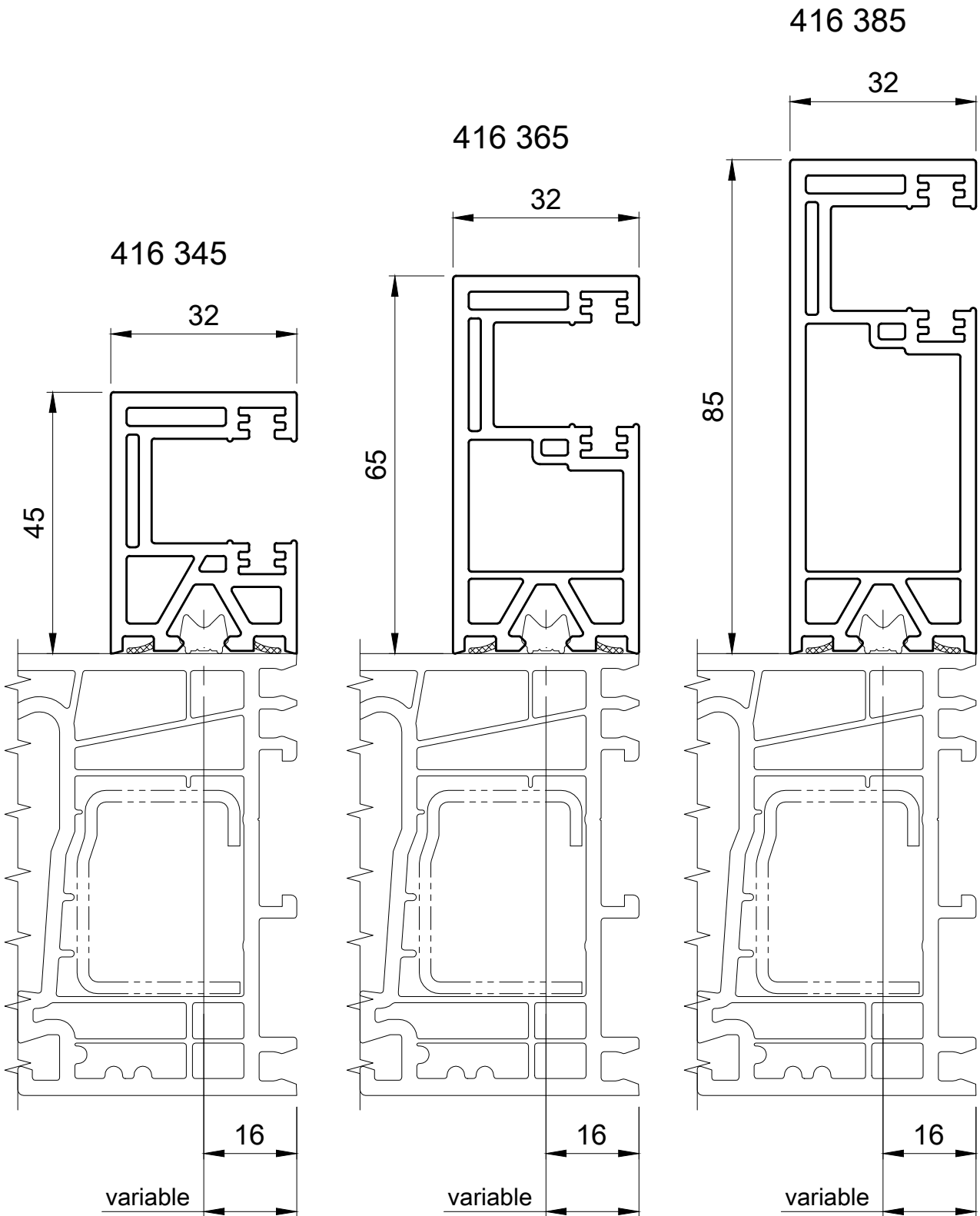


406 308

Tapee
416 345, 416 365, 416 385

Fixing profile
406 335

ST 04
13.6



 406 335

Seal with permanently elastic, neutrally bonding sealant, suitable for PVC and galvanised steel.

Scale 1:1 (or depending on print-out)

Issue: 01/2012

Roller shutter panelling

Cover for roller shutter housing

Connection profile

Spreader

ST 04

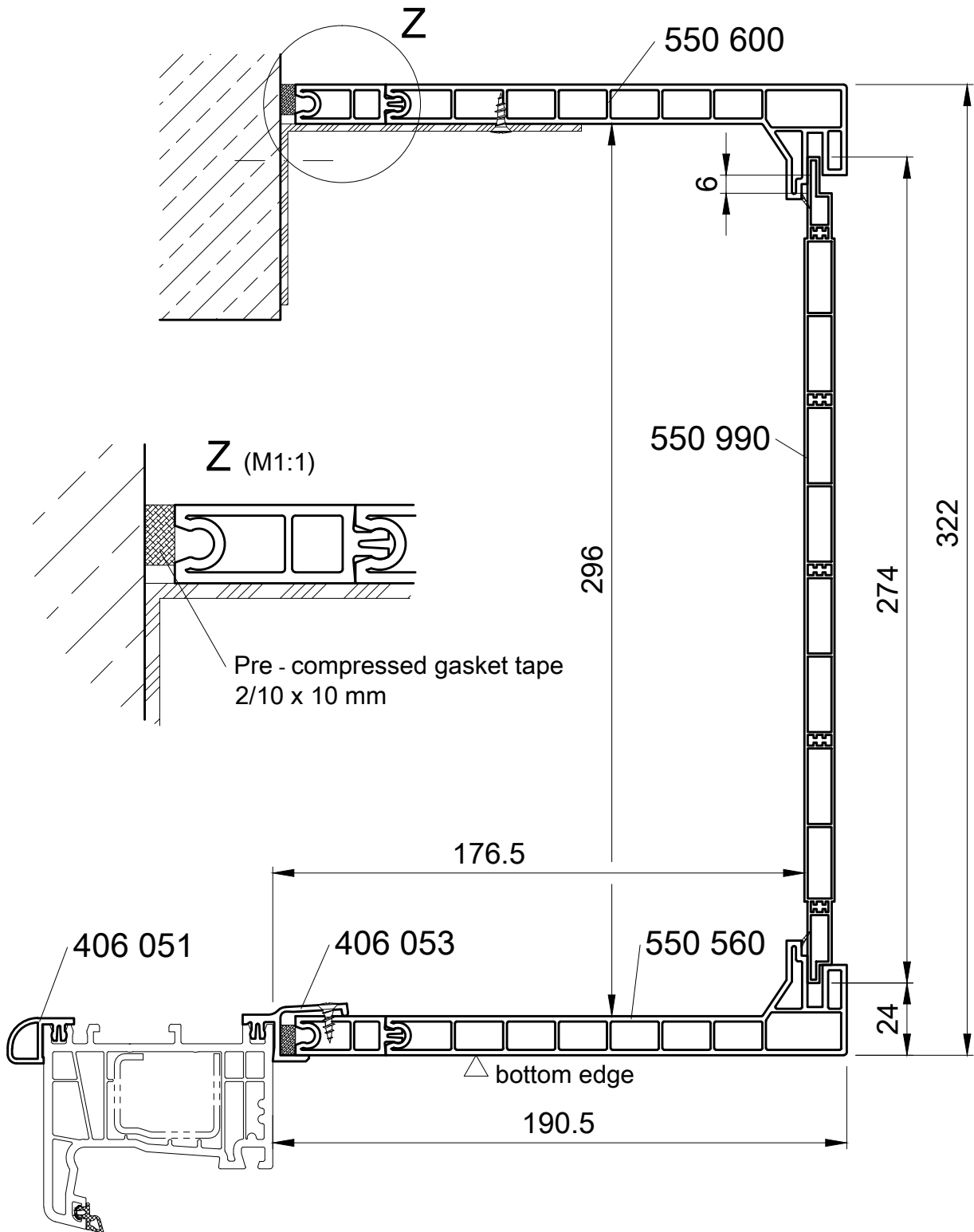
550 600; 550 601

550 990

406 053

406 051

14.1



Pre - compressed gasket tape

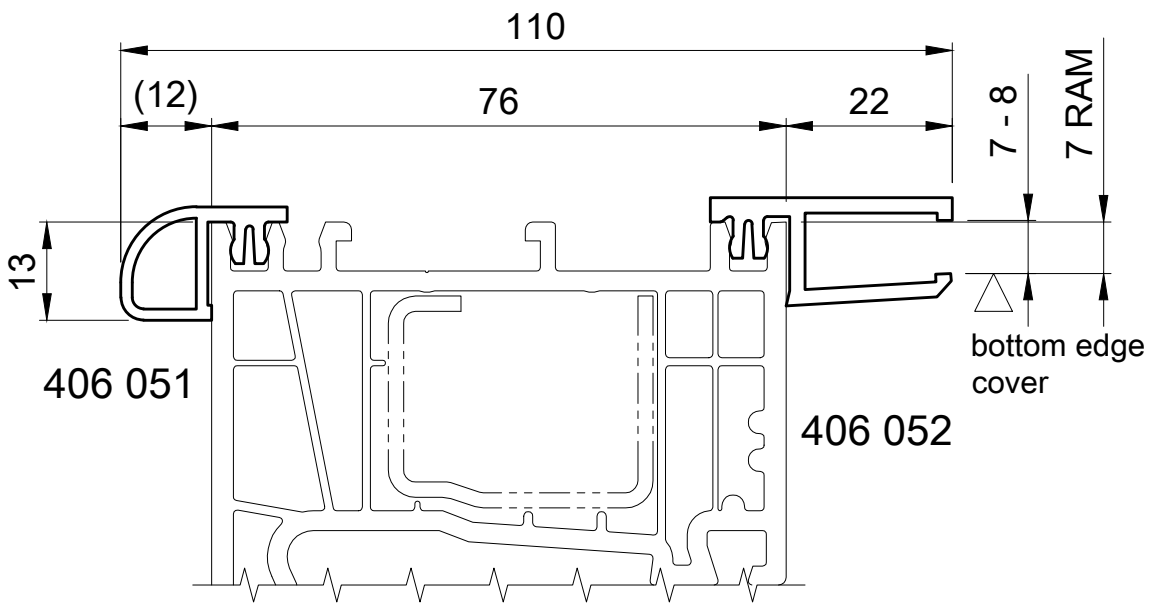
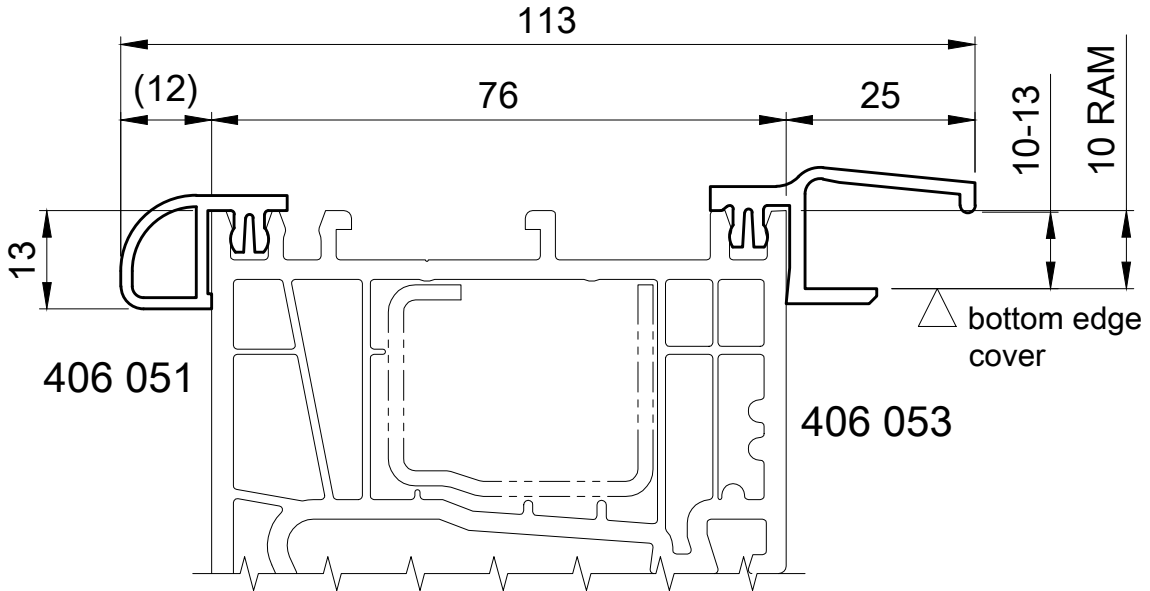
Scale 1:2 (1:1) (or depending on print-out)

Issue: 01/2012

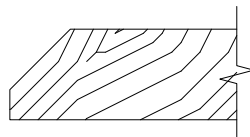
Spreader
406 051

Cover connection
406 052, 406 053

ST 04
14.2

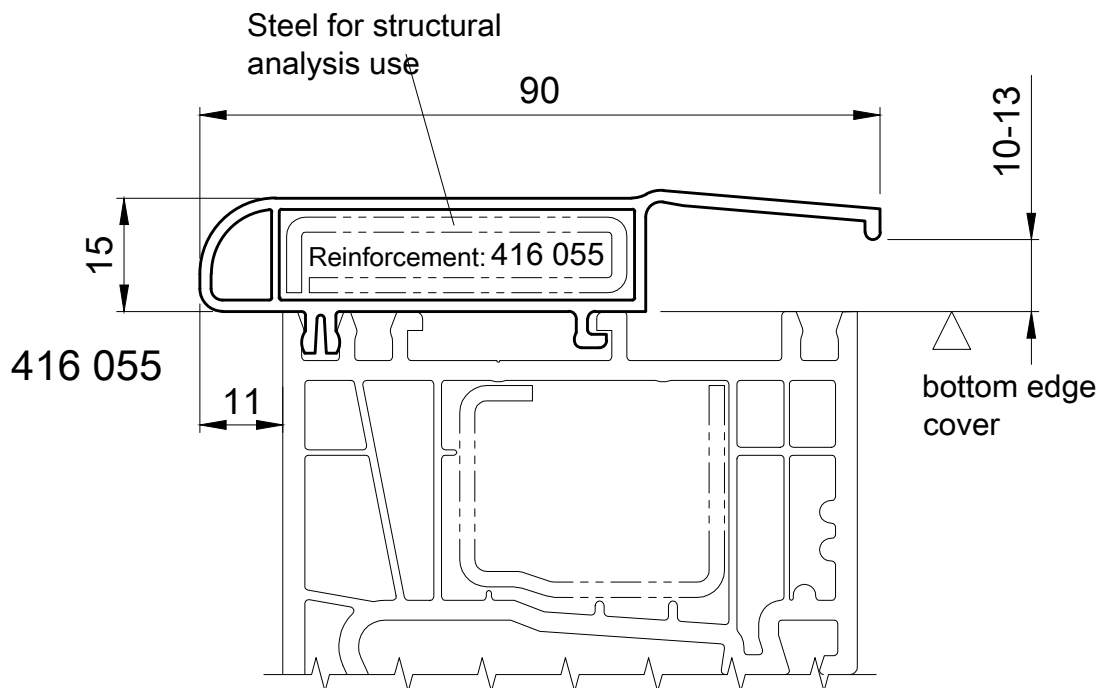
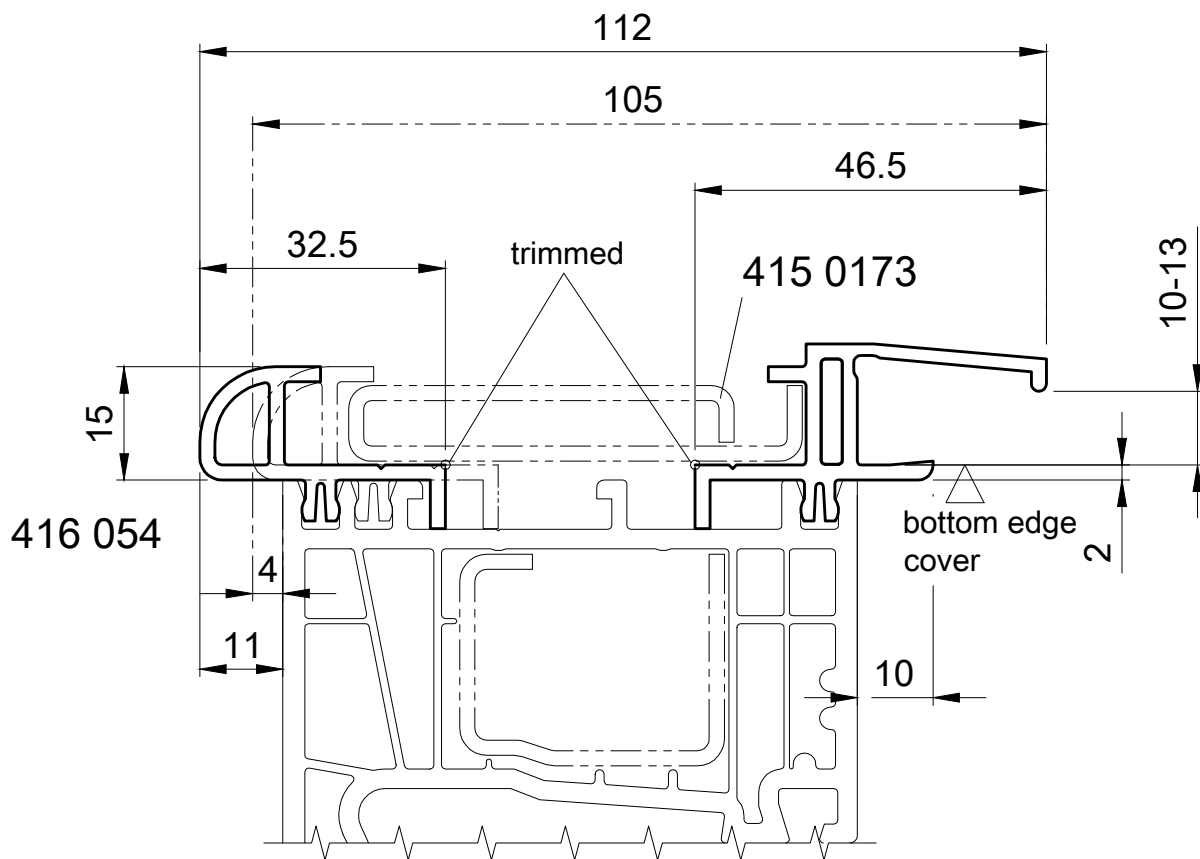


Trim the cap for roller shutter housing

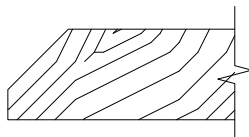


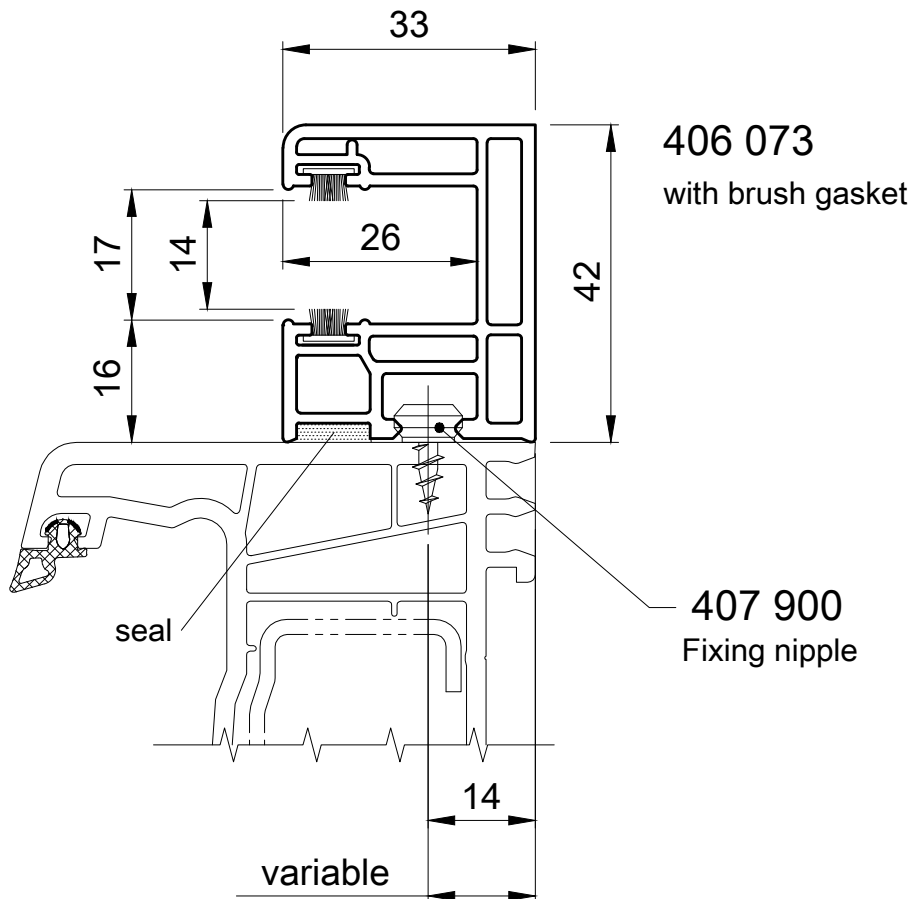
Spreader
416 054, 416 055

ST 04
14.3



Trim the cap for roller shutter housing





Roller shutter guide

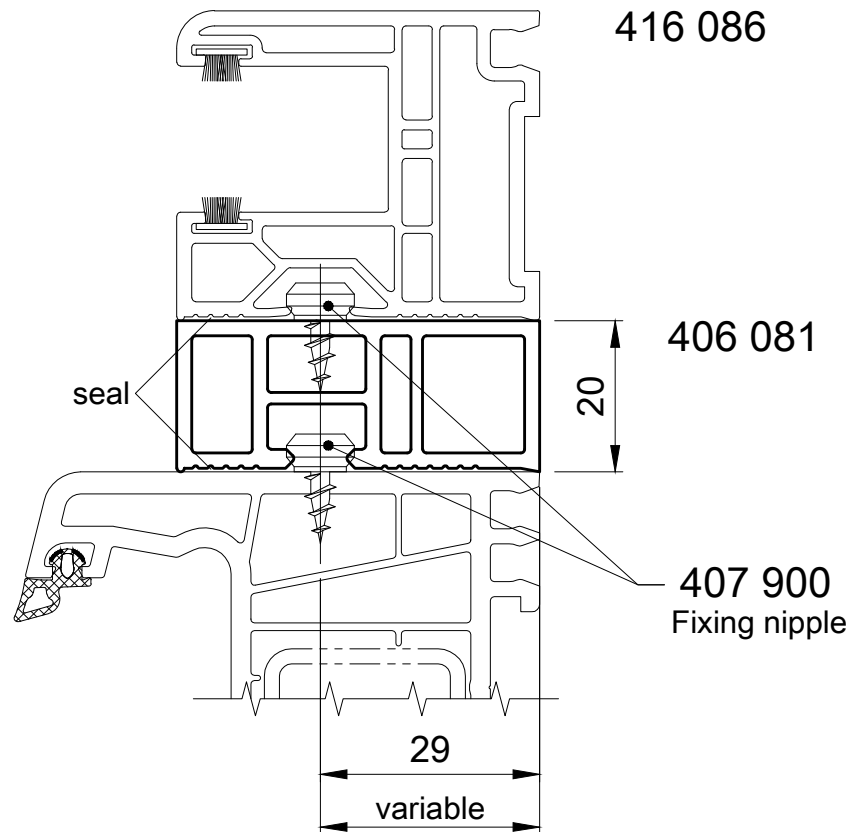
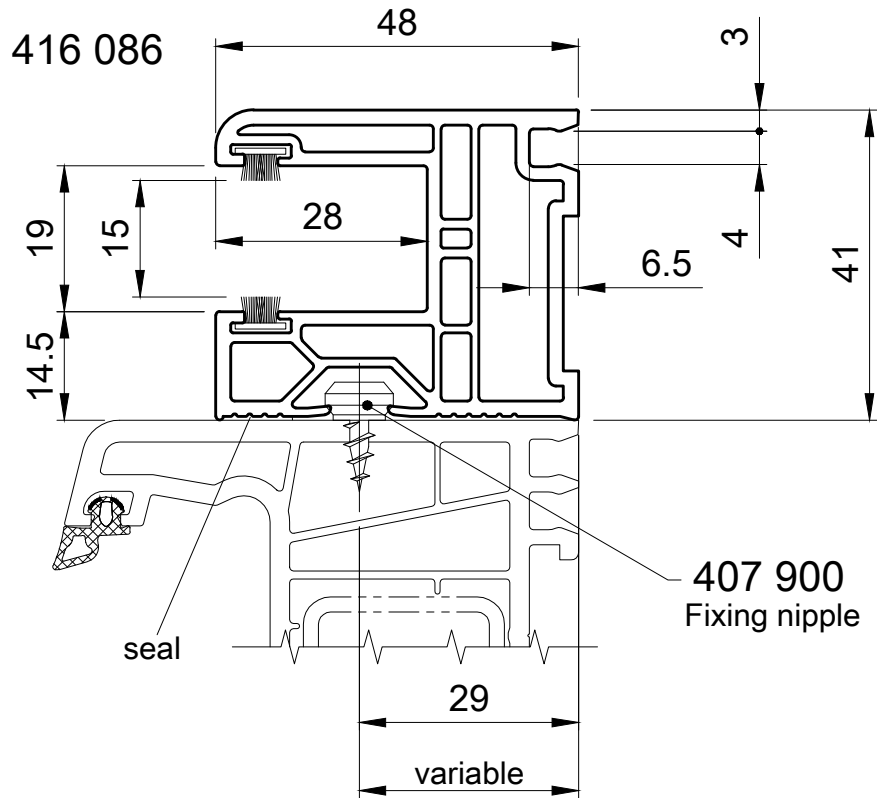
False edge

ST 04

416 086

406 081

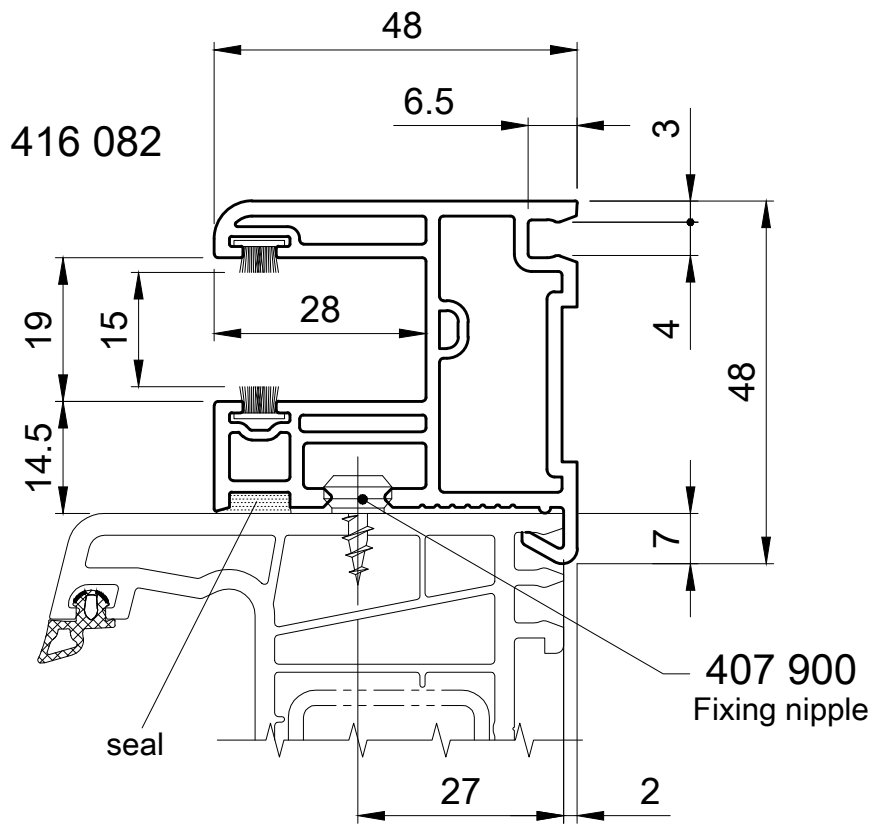
14.5



Seal with permanently elastic, neutrally bonding sealant, suitable for PVC and galvanised steel.

Scale 1:1 (or depending on print-out)

Issue: 01/2012



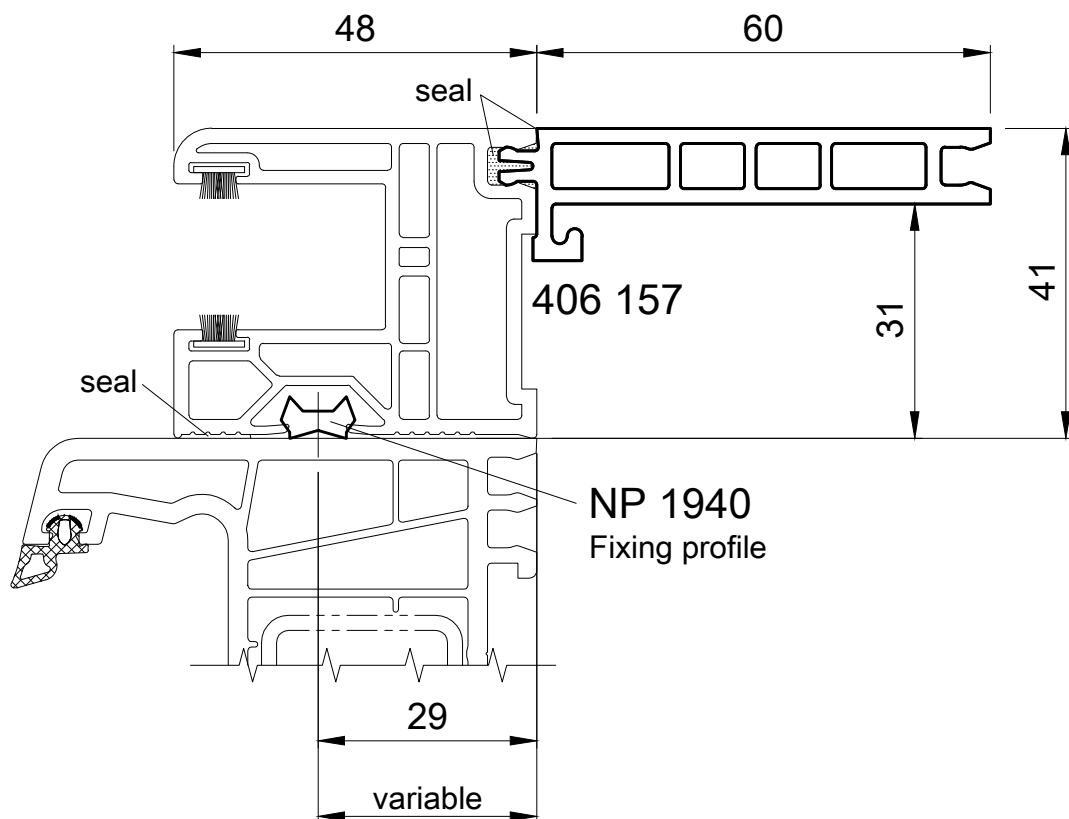
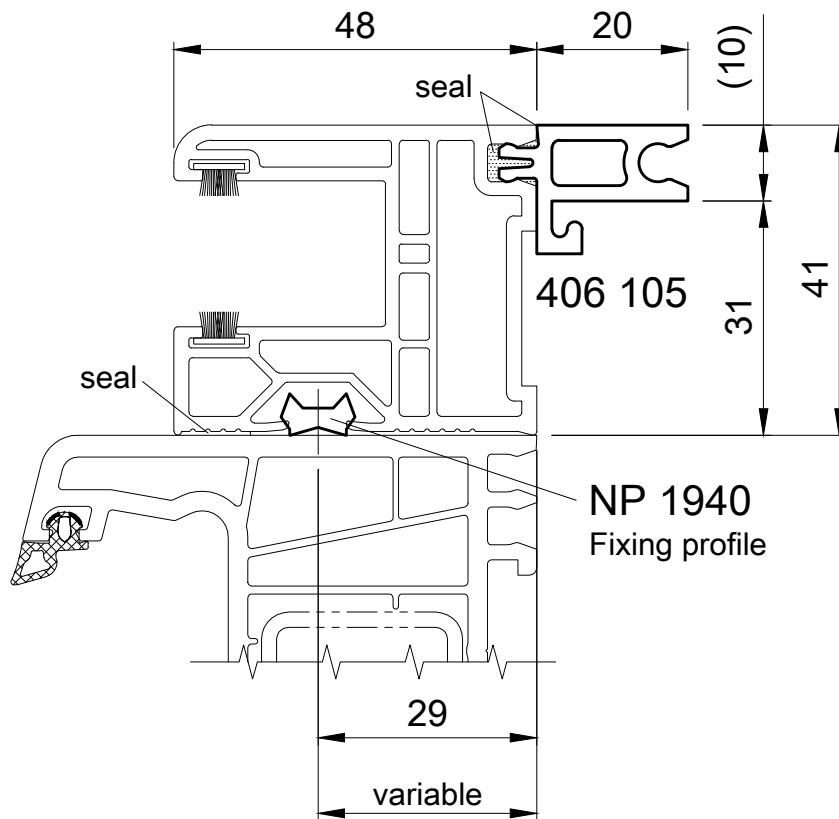
Seal with permanently elastic, neutrally bonding sealant, suitable for PVC and galvanised steel.

Scale 1:1 (or depending on print-out)

Issue: 01/2012

False edge
406 105, 406 157

ST 04
14.7



Seal with permanently elastic, neutrally bonding sealant, suitable for PVC and galvanised steel.

Scale 1:1 (or depending on print-out)

Issue: 01/2012

Roller shutter guide

406 065

False edge

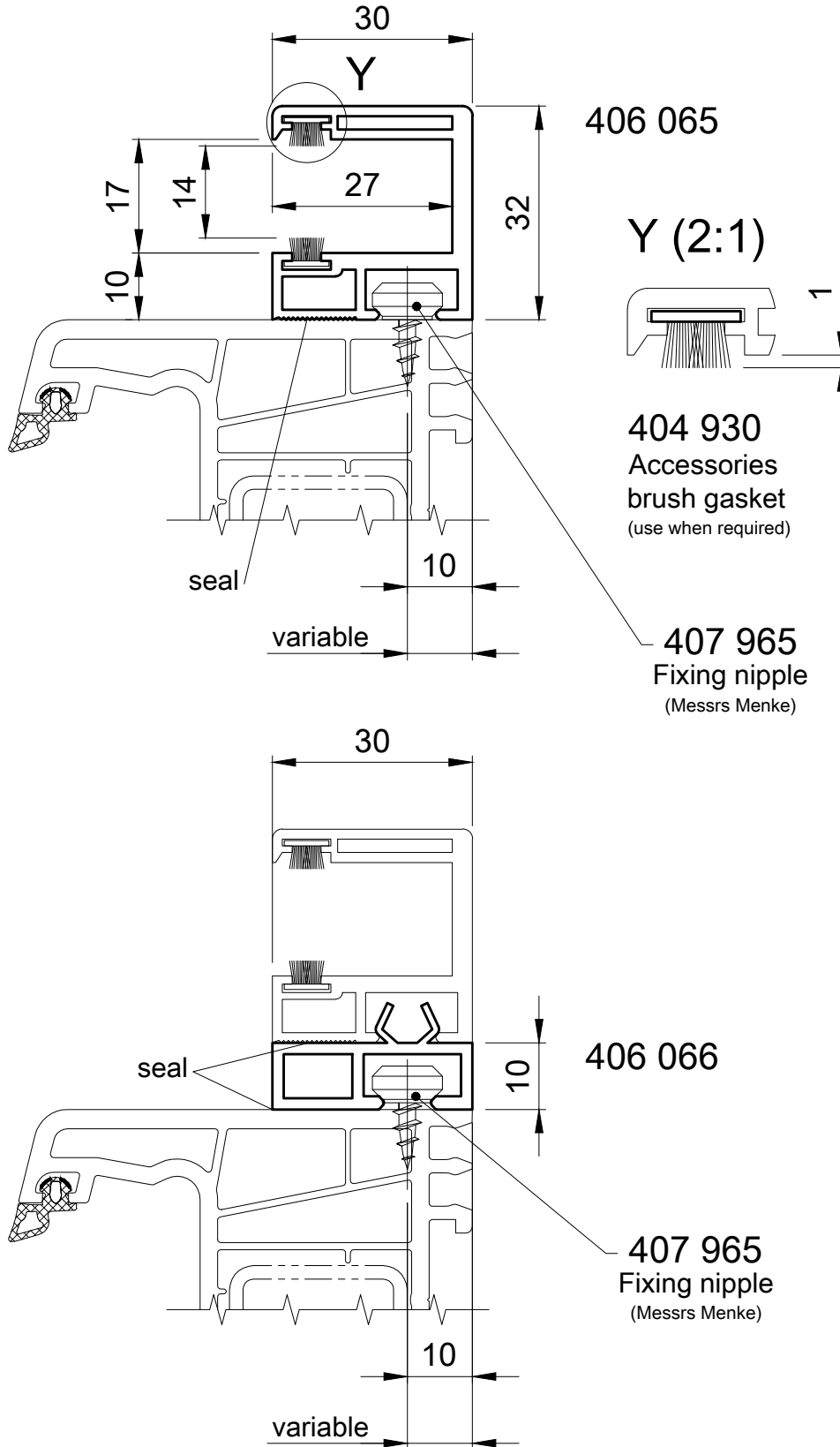
406 066

Brush gasket

404 930

ST 04

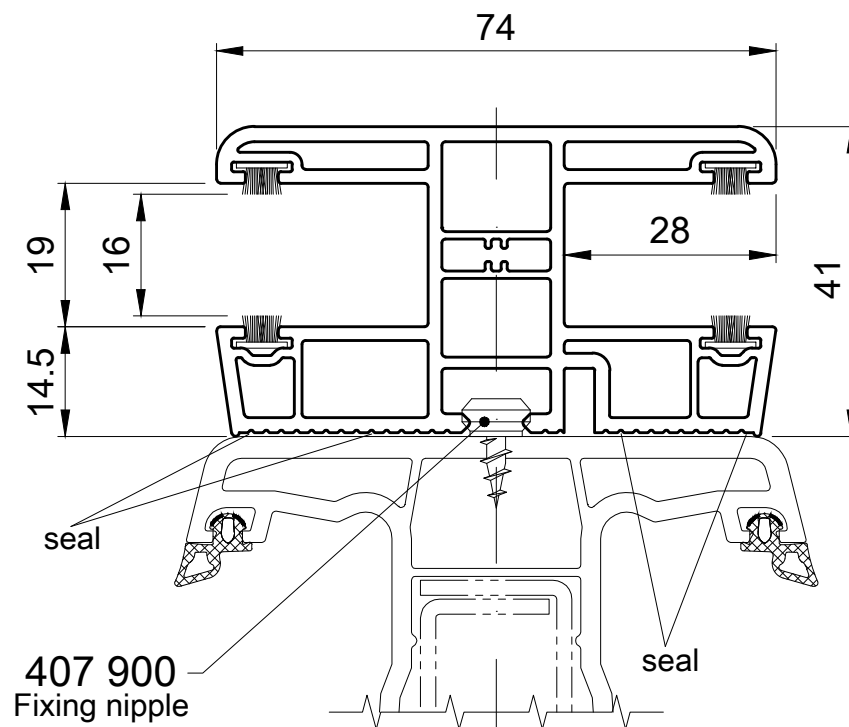
14.8



Seal with permanently elastic, neutrally bonding sealant, suitable for PVC and galvanised steel.

Scale 1:1 (2:1) (or depending on print-out)

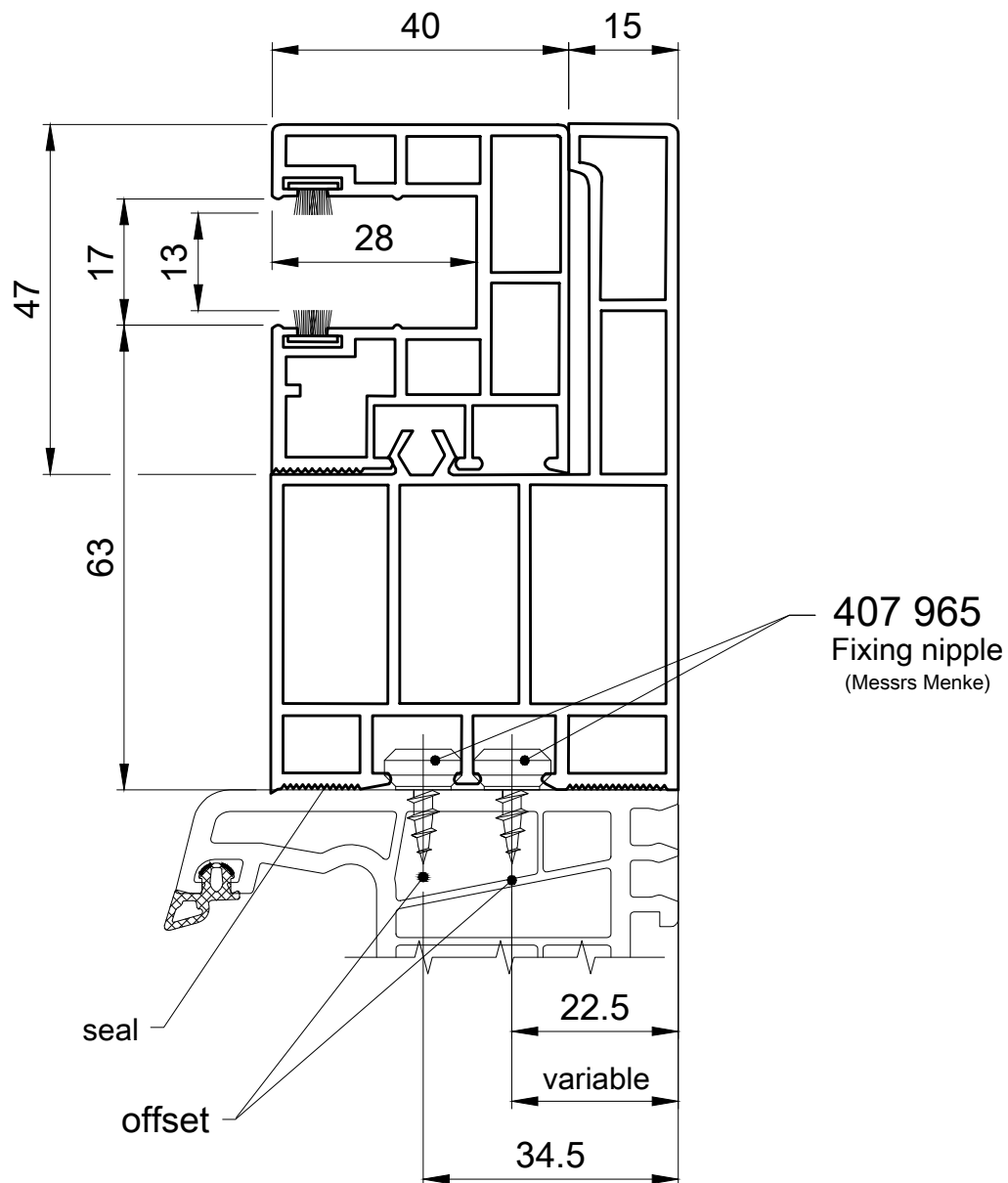
Issue: 01/2012



Seal with permanently elastic, neutrally bonding sealant, suitable for PVC and galvanised steel.

Scale 1:1 (or depending on print-out)

Issue: 01/2012



Seal with permanently elastic, neutrally bonding sealant, suitable for PVC and galvanised steel.

Scale 1:1 (or depending on print-out)

Issue: 01/2012

Unwinding profile

Unwinding profile

556 075

Roller shutter guide

556 070

Intake guide

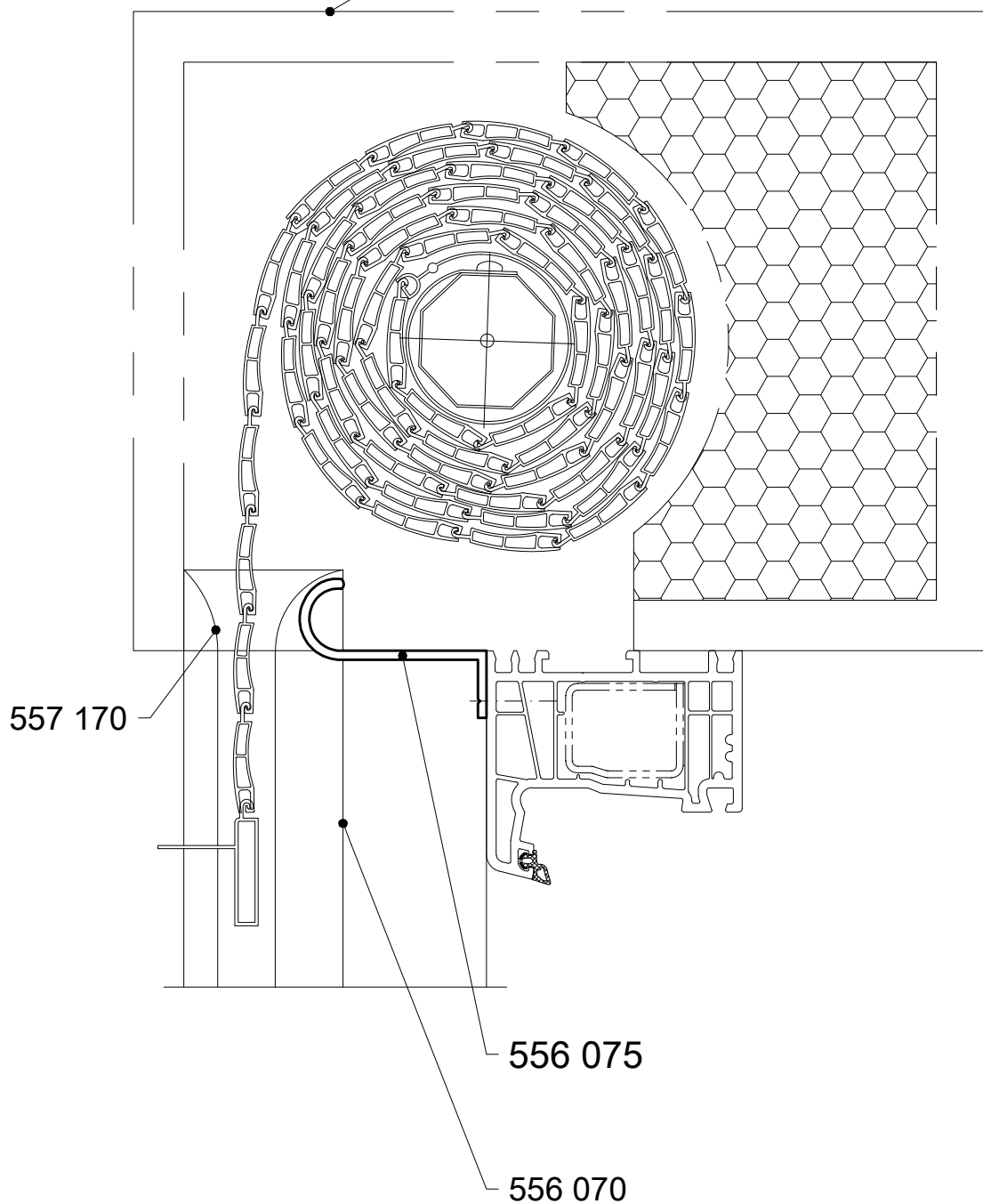
557 170

ST 04

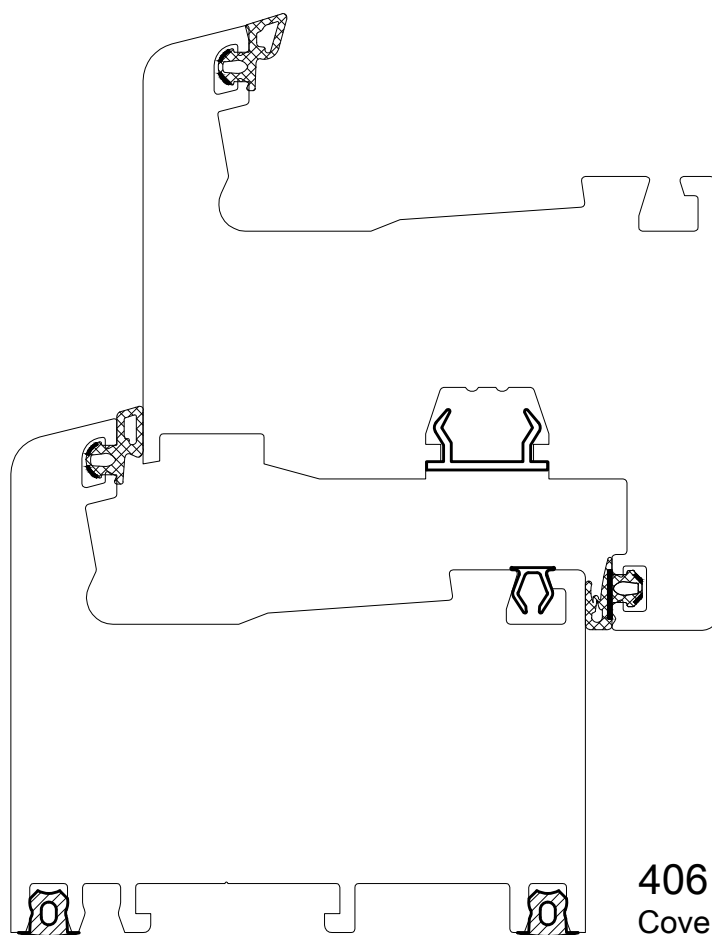
14.11

Schematic representation

Roller shutter housing closed on the inside,
for inspection from the outside (diagram)



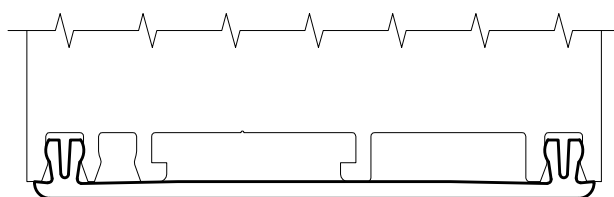
Clip profile	Groove filling	Cover trim	Cover	ST 04
406 391	416 390	406 410	416 180	15.1



406 391
Clip profile 16mm

416 390
Groove filling

406 410
Cover trim



416 180
Cover